

ERGOVENT

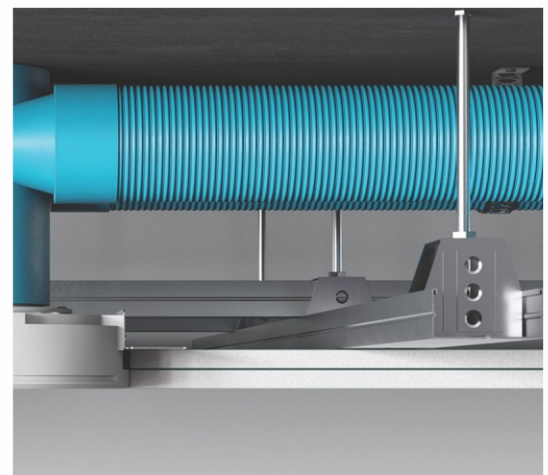
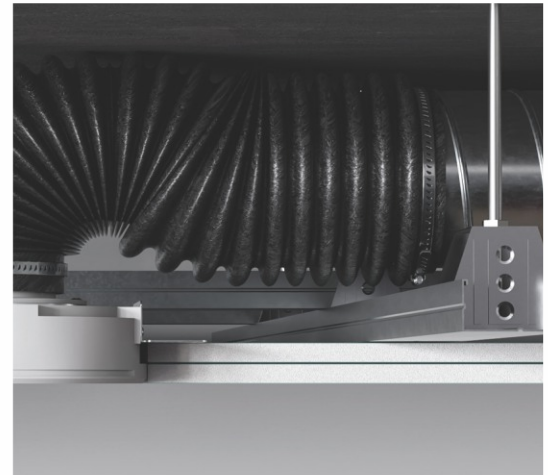
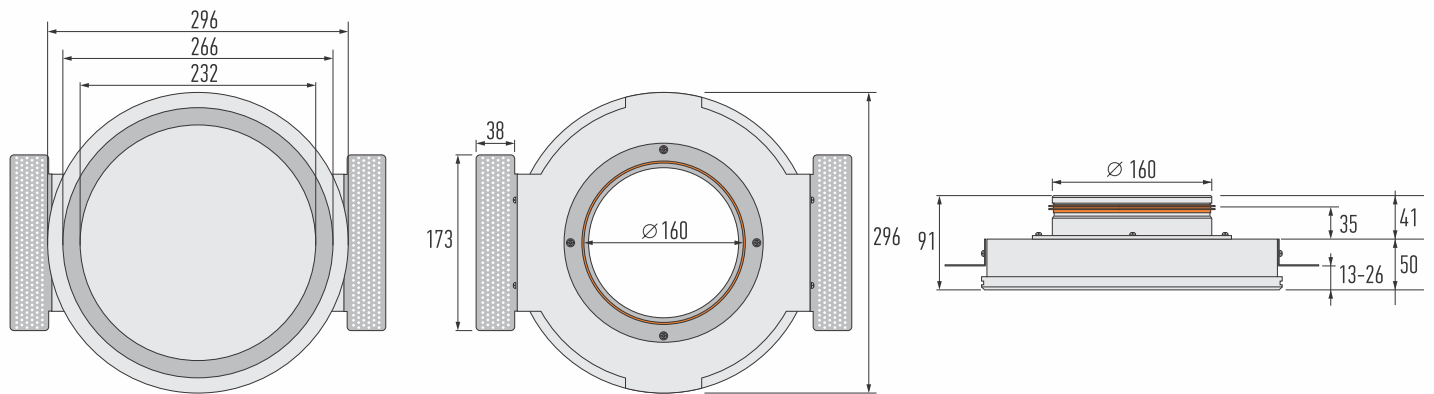
## RONDO-160

Frameless ventilation diffuser

Technical specification

2023 WINNER  
DESIGN PLUS

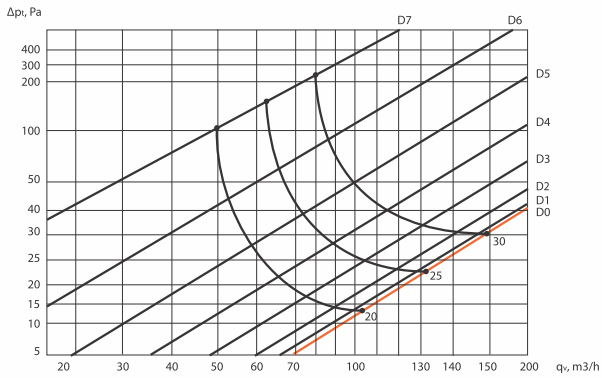
powered by: ISH



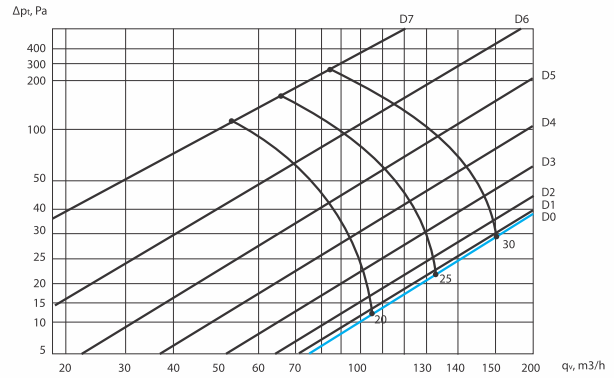
# RONDO-160

## Technical data

RONDO160 (supply air)



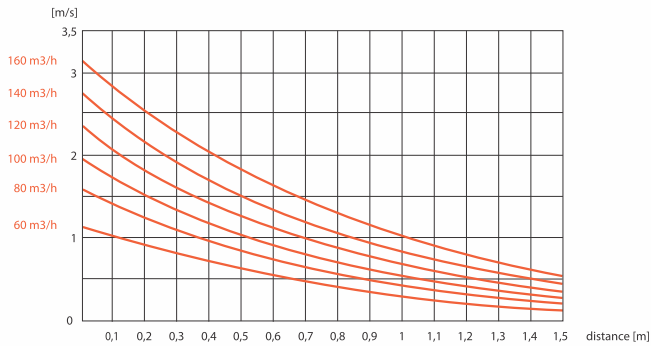
RONDO160 (exhaust air)



Polyurethane dampers are used to adjust the airflow.

- D0 – no damper inserted
- D1 – 1 segment inserted
- D2 – 2 segment inserted
- D3 – 3 segments inserted
- D4 – 4 segments inserted
- D5 – 5 segments inserted
- D6 – 6 segments inserted
- D7 – 7 segments inserted

RONDO 160  
velocity, m/s



Scan QR code to download the installation instructions.