

Designed and manufactured
by Fresh in Sweden



MANUAL INTELLIVENT® 2.0

EN

DE

FR

NL

ES

IT



Thank you for choosing this product from Fresh.
Before installing and using the fan, read through this manual / these instructions for use.
Then keep it safe so that you can use it for reference in future.

Safety information!

Children aged 8 and above as well as persons with reduced physical, sensory or mental capacity or who do not have the necessary experience or know-how may use this equipment if they are supervised or given sufficient instruction in how to use the equipment safely and have understood the risks involved. Children must not play with this equipment. Cleaning and maintenance must not be performed by unsupervised children.

CONTENTS

EN

4 Description of functions

5 Installation guide

- 1 Contents
- 2 Installation
- 3 Connection
- 4 Installation options
- 5 Connecting a pull cord switch
- 6 Factory setting
- 7 Setting functions

10 Advanced functions

- Setting humidity sensitivity mode
- Pause function with momentary switch

12 LED indicators

13 Maintenance

15 Warranty

15 Recycling

16 Accessories

17 Technical data

18 Troubleshooting guide

DESCRIPTION OF FUNCTIONS

- **Automatic moisture detection system**

Fresh Intellivent is equipped with fully automatic humidity control, which means the fan learns to run only when it can make a difference.

- **Timer**

Selectable delay time – 5, 15 or 30 minutes.

- **Speed control**

The integral speed control allows you to adjust the noise level and capacity to meet your needs.

- **Continuous operation**

Leave the fan running continuously if you need basic ventilation in the home.

This also eliminates the risk of draughts in case of wall mounting.

- **Airing function**

If the fan has been inactive for 26 hours, an airing programme will run for 60 minutes.

- **Pause function**

The fan can be paused for one hour using the power cord.

- **Multi-pole switch**

The fan is fitted with a multi-pole switch, which means that an external switch is not required.

- **LED indicators**

A light-emitting diode with three different colours indicates which mode the fan is in at any one time.

- **12-volt motor**

The motor is a long-life motor, with a life span of approx. 60,000 hours. This type of motor also runs silently.

INSTALLATIONGUIDE

1 Contents

The packaging should contain the following:

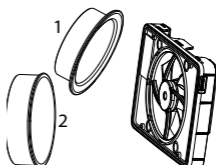
- Fan
- 2 adapters, 1 x $\text{Ø}98$ mm and 1 x $\text{Ø}118$ mm
- Manual
- Accessory bag with 4 screws and plugs, a pull cord with toggle, and insulation for the standard cable type (FK)

EN

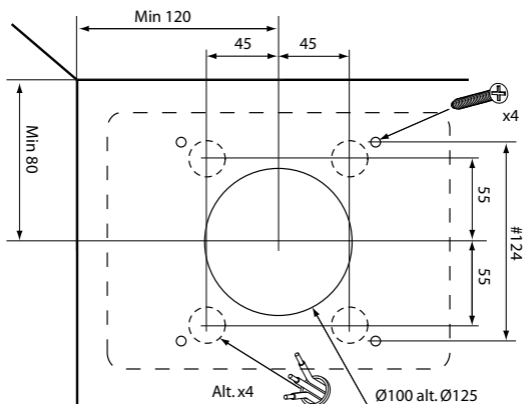
2 Installation

The fan can be installed on a wall or on a ceiling. See the diagram below for installation dimensions. The fan must not be installed in an environment where the temperature exceeds 50°C . Attach an appropriate adapter to the fan's chassis, $\text{Ø}98$ (1) for a $\text{Ø}100$ duct or $\text{Ø}118$ (2) for a $\text{Ø}125$ duct.

The fan can also be installed and used without an adapter, so that it is mounted completely on the surface, e.g. in the case of ducts less than $\text{Ø}98$.



When installing the fan, check that there is a seal between the pipe/duct and wall/ceiling to prevent humid air from penetrating the wall or ceiling. Use the accompanying screw and plug, if necessary.



3 Wiring

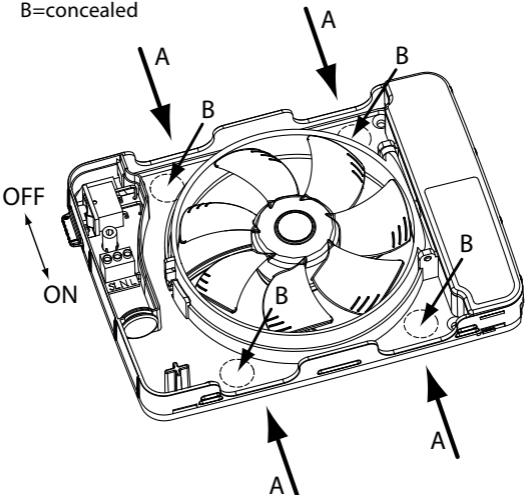
- Installation work should be performed by a qualified electrician.
- The fan is double insulated and must not be earthed.
- The fan is fitted with a multi-pole switch and does not require a pre-wired external switch.

- 1 Push the multi-pole switch up to position 0 – OFF.
- 2 The cable can be installed either along the surface using entries A in the chassis or concealed using the B inlets in the chassis. Both options are shown below. Use the insulating sleeve supplied for the cable (FK).
- 3 If you use any of the B inlets, remove the concealed round plastic cover by tapping inside the break-off notch from the inside out to the back with a screwdriver, for example.

Cable entries

A=surface

B=concealed



4 Installation options

The fan can be installed in any of three ways depending on the desired function, as detailed below:

EN

1 Humidity control only, see diagram 1

The fan is connected to constant phase (L) and neutral (N) for automatic humidity control.

The timer can be activated manually by installing a pull cord and pulling it (see page 8).

2 Humidity control + timer with light switch, see diagram 2

The fan is connected to constant phase (L) and neutral (N) for automatic humidity control.

Switched live (SL) is connected to activate the fan's timer, i.e. when the bathroom light is switched on, current is present at switched live. This option provides a 90-second start delay.

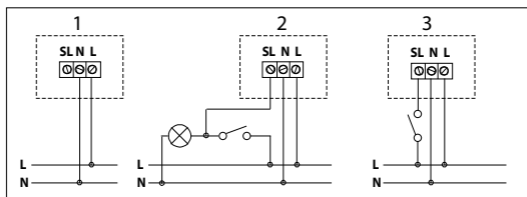
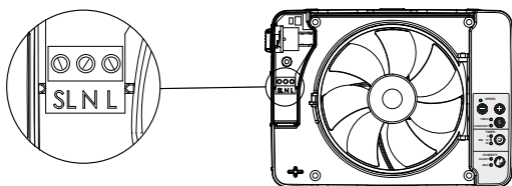
3 Humidity control + timer with retractive switch, see diagram 3

The fan is connected to constant phase (L) and neutral (N) for automatic humidity control.

Switched live (SL) is connected to activate the fan's timer using a retractive switch.

This option gives direct start-up of the fan.

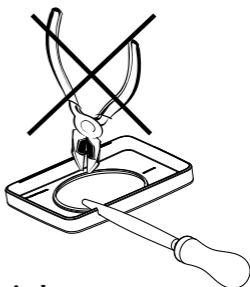
Wiring diagram



NB!

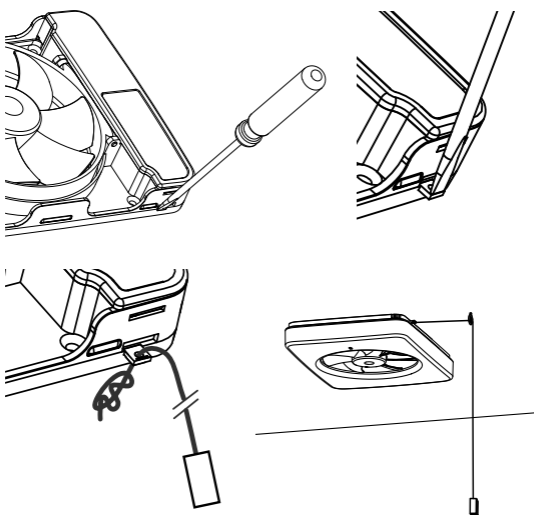
Use an ordinary round file to create a smooth cut-out at a suitable place in the front cover.

Do NOT use pliers or similar tools, as these may cause the cover to crack.



5 Connecting the pull cord switch

A pull cord can be installed for activating the timer manually or for pausing the fan. Remove the mounting plate using a screwdriver, for example, and thread the accompanying pull cord through the hole.



- Once installation is complete, push the safety switch down to position I – ON, to make the fan active again.

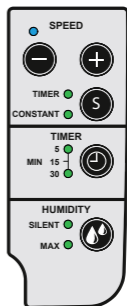
When the fan is connected to the power supply, it performs a self-test where electronics, LEDs and operation of the motor are all tested. The fan is now ready for use.

6 Factory setting

- timer – 5 minutes
- humidity speed – silent (70% of max.)
- timer speed – 70% of max.
- constant operation – off

Restore factory settings

Hold the S-button in for a minimum of 5 seconds.



EN

7 Setting functions

Possible adaptation to meet your needs:

1. Setting fan speed for timer operation.

Press the S-button until the timer light comes on.

Use the SPEED buttons to set the speed.

Restore the factory default timer speed by pressing both the SPEED buttons simultaneously.

2. Delay time

Set the timer to 5, 15 or 30 minutes.

3. Humidity mode / humidity

Set to silent or max. capacity – small or large bathroom.

4. Continuous operation

Press the S-button until the "CONSTANT" light comes on. Select the fan speed using the SPEED buttons.

To turn off continuous operation: press the S-button until the "CONSTANT" light goes off.

ADVANCED FUNCTIONS

Selecting humidity sensitivity mode

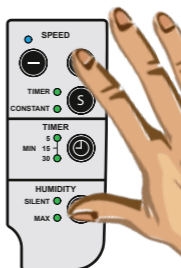
Bathroom climates may vary depending on a number of factors: room size, the presence of any natural draught ventilation, temperature, etc. These factors may have a bearing on fan humidity response, causing it to start too quickly or too slowly.

The factory setting is position 2: normal humidity response, which works best in most cases.

There is also the option of completely switching off the humidity function.

1) Press the Speed + and Humidity mode buttons simultaneously (*the blue and yellow LEDs flash quickly*).

Press the Humidity Mode button until the desired humidity sensitivity mode is selected.



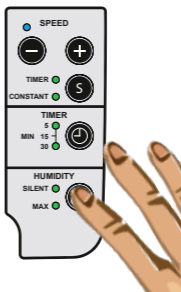
Position 1: the Silent LED comes on – fast humidity response.

Position 2: the Max LED comes on – normal humidity response.

Position 3: The Silent and Max LEDs come on together – slow humidity response.

Position 4: Both the Silent and Max LEDs stay off – humidity control is deactivated.

2) Press the Speed + and Humidity Mode buttons at the same time (*The blue and yellow LEDs stop flashing*).



Pause function using momentary switch

You can pause the fan for one hour by engaging an external momentary switch. This can be connected as shown in diagram 3 on page 7.

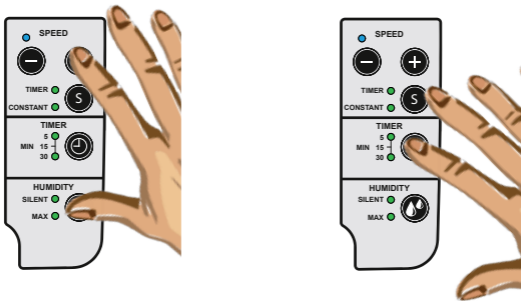
With this function selected, you will be unable to use the delayed start via switched live (lighting) function connected to SL

Activation

- 1 Press the Speed + and Humidity Mode buttons simultaneously (*the blue and yellow LEDs flash quickly*).
- 2 Press the timer button and hold it in for 5 seconds until the 5 min LED comes on.
- 3 Press the Speed + and Humidity Mode buttons at the same time (*The blue and yellow LEDs stop flashing*).

Deactivation

- 1 Press the Speed + and Humidity Mode buttons simultaneously (*the blue and yellow LEDs flash quickly*).
- 2 Press the timer button and hold it in for 5 seconds until no timer run-on LEDs are illuminated.
- 3 Press the Speed + and Humidity Mode buttons simultaneously (*the blue and yellow LEDs flash quickly*).



LED INDICATORS

LED – what is the fan doing?

Fresh Intellivent is equipped with a three-colour LED indicator: yellow, blue and purple.

These three colours tell the user what the fan is doing and which function is currently controlling the motor.

- **No LED on**
The fan is off or is running continuously.
- **Blue LED on**
The fan is running – the humidity sensor has detected increased humidity in the room.
- **Blue flashing LED**
The fan is running – the fan sensor has detected that it can reduce its reference values for humidity in the room.
- **Yellow LED on**
The fan is running – timer control has been activated.
- **Yellow flashing LED**
Timer control with delayed start has been activated by the light switch.
The LED flashes for 1.5 min. before the fan starts.
- **Purple LED on**
The fan is running – the airing function has been activated.
- **Yellow and blue LEDs slowly flash alternately**
Pause function has been activated.
- **Yellow and blue LEDs quickly flash alternately**
Programming mode has been activated.

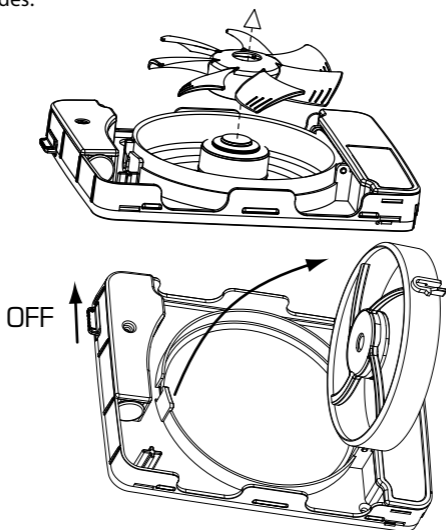
MAINTENANCE

Fresh Intellivent is designed to work efficiently for many years. The fan needs to be cleaned at regular intervals if it is to function properly. These intervals are determined by duration of fan operation and air quality. Clean the fan at least twice a year, or as required.

EN

Disconnect the power supply to the fan by pushing the multi-pole switch up to position O - OFF.

The fan is fitted with a removable propeller. Press in the centre using your thumb, grip the fan wings and pull off the propeller. The fan's "swing out" function is also useful, as it provides easy access to the duct. Press the motor mount ring's snap-in catch and swing out the motor/ blades.



Clean the duct/pipe if there is any dirt present inside. Failure to do this may result in a risk of impaired capacity.

When cleaning the fan, pay particular attention to the blades if these are dirty. Otherwise, there is a risk of imbalance and hence increased noise and a reduced life span for the motor bearings.

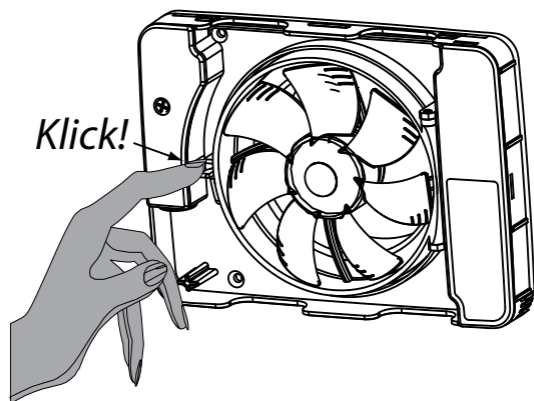
Clean the fan's blades with a brush or paintbrush.
Clean the fan cover with a polishing cloth moistened with water and possibly a mild detergent.

NB! Never use solvents or similar products on any part of the fan, as there is a risk of them damaging the fan's plastic components!

Never submerge the fan in water, as there is a risk that this could damage the fan's motor.

After cleaning, swing the motor mount ring back into position and lock it by securing the snap-in catch.
Switch the multi-pole switch back on by moving the switch down to position 1 – ON.

If maintenance of the fan is not performed as specified above, the product warranty will be null and void.



WARRANTY

We provide a **5 year warranty** against manufacturing defects.



EN

For the warranty to be valid, proof of purchase is required and the fan:

- must be assembled and installed in accordance with the installation guide in this manual
- must have been maintained according to the maintenance instructions in this manual
- must be installed in a normal residential environment
- must be connected to a voltage of 100-240 V AC
- must not have been exposed to lightning or abnormal power surges
- must not have been subjected to tampering
- must have been installed in a zone rated as IP44
- must not have been installed in an environment where the temperature exceeded 50° Celsius.

Complaints concerning the product are to be made to the point of purchase.

RECYCLING

The product is marked with the WEEE symbol, which indicates that it must not be disposed of with household waste, but must be recycled at a suitable recycling location in the local municipality.

Fresh AB is a member of Sweden's national recycling system, in accordance with the European WEEE directive.



For more information, see www.fresh.eu

ACCESSORIES

There are a number of accessories available for Fresh Intel-livent to help you as user install the product as smoothly as possible. Below are some examples of accessories.

Pipes

for sizes
100 and 125



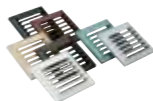
Cover plate

190 x 240 mm
white and black



Plastic grille

for sizes
100 and 125



Metal grille

for sizes
100 and 125



Cold surge protection

for sizes
100 and 125



YVG100 and 125

Feed-through with
cold surge protection.





For optimum ventilation, you must ensure that sufficient air can enter the bathroom. This is done either by creating an opening at the bottom of the door or by installing an air vent in the door or wall.

It is also important to draw fresh air into the house that is then expelled through the bathroom or laundry room, for instance.

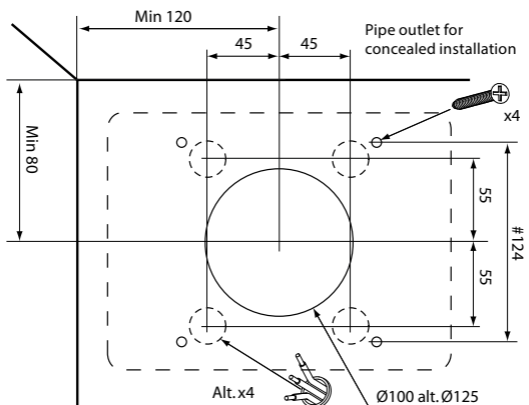
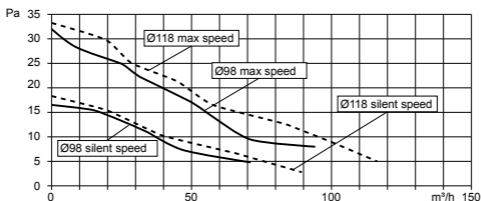
In this case, it is a good idea to install fresh air vents in bedrooms and in the living room.

TECHNICAL DATA

Maximum capacity	134 m ³ /h		
Sound pressure level 3 m (Silent mode)	21 dB(A)		
Power consumption	2,1 - 5,5 W		
Mounting dimensions in wall	0 - 30 mm		
Holes	105 - 130 mm		
Material	ABS plastic		
Protection rating	IP44		
Insulation class	□		
Voltage	100-240 V		
Frequency	50-60 Hz		
Certificates	 		
Duct dimensions	Max/ Silent	Capacity (free blowing)	Sound pressure level 3 m
Ø 98	Max	107 m ³ /h	28 dB(A)
Ø 98	Silent	74 m ³ /h	21 dB(A)
Ø 98	Constant	42 m ³ /h	12 dB(A)
Ø 118	Max	134 m ³ /h	29 dB(A)
Ø 118	Silent	86 m ³ /h	21 dB(A)
Ø 118	Constant	55 m ³ /h	13 dB(A)

EN

Capacity



TROUBLESHOOTING GUIDE

The fan does not start

The fan is newly installed and has never been started:

Check that the fan impeller runs freely.

Check the position of the safety switch. It must be in position I – ON.

Disconnect the power supply to the fan – move the safety switch to position 0 – OFF and then back to position I – ON.

Check that there is voltage at terminal block L (to be done by electricians only).

Check that neutral is properly connected by measuring the voltage across L-N (to be done by electricians only).

The fan has been in use for some time:

Check that the fan impeller runs freely.

Disconnect the power supply to the fan – move the safety switch to position 0 – OFF and then back to position I – ON. Leave the fan switched off for about 3 seconds before switching it back on.

The fan has been cleaned

Check that the fan impeller runs freely

Check the position of the safety switch. It must be in position I – ON.

The fan runs non-stop

The blue LED is on constantly

(If the fan has been running non-stop for at least 24 hours)

Check that it is working by opening the bathroom door and leaving it open for at least half an hour to equalise humidity levels.

Disconnect the power supply to the fan – move the safety switch to position 0 – OFF and then back to position I – ON.

The yellow LED is constantly on

If the fan is connected to an external switch for timer control, switch this off and wait at least 30 minutes.

Disconnect the power supply to the fan – move the safety switch to position 0 – OFF and then back to position I – ON.

No LEDs on

This is entirely normal if the fan has been set to continuous operation. No LEDs are on in this mode.

If the fan has not been set to continuous operation, disconnect the power supply to the fan – move the safety switch to position 0 – OFF and then back to position I – ON.

Other faults

The fan stops when the light is switched off.

The fan has been installed incorrectly. Terminal L on the terminal block should always have direct phase.

Contact your electrician.

The fan stops when the light is switched on.

The fan has probably been programmed to pause on a momentary switch. See page 11 for deprogramming

The fan does not work as described

Remove the cover and disconnect the power supply to the fan by moving the safety switch to 0. Then return the switch to I (On).

If the fan still does not work as described in this guide, contact the retailer or Fresh by sending an e-mail to: intellivent@fresh.se.

Vielen Dank, dass Sie sich für dieses Produkt von Fresh entschieden haben.

Bitte lesen Sie sich diese Bedienungsanleitung sorgfältig durch, bevor Sie den Lüfter installieren und in Gebrauch nehmen.

Bewahren Sie diese anschließend sicher auf, damit Sie im Bedarfsfall darauf zurückgreifen können.

Sicherheitshinweis!

Kinder ab 8 Jahren sowie Personen mit eingeschränkten physischen, sensorischen oder geistigen Fähigkeiten bzw. ohne erforderliche Erfahrung oder Kenntnisse dürfen das Gerät unter der Voraussetzung verwenden, dass sie ausreichend beaufsichtigt werden oder bezüglich des sicheren Gebrauchs des Gerätes unterwiesen wurden und die daraus resultierenden Gefahren verstehen. Das Gerät ist kein Spielzeug. Kinder dürfen das Gerät nicht ohne Aufsicht reinigen oder warten.

INHALT

4 Beschreibung der Funktionen

5 Installationsanleitung

- 1 Inhalt
- 2 Einbau
- 3 Anschluss
- 4 Installationsalternativen
- 5 Anschluss eines Zugschalters
- 6 Werkseitige Einstellung
- 7 Einstellung der Funktionen

10 Erweiterte Funktionen

- Wahl der Empfindlichkeitsstufe
- Pausenfunktion mit Momentschalter

12 LED-Anzeige

13 Wartung

15 Garantie

15 Entsorgung

16 Zubehör

17 Technische Daten

18 Fehlersuche

DE

Beschreibung der Funktionen

- **Feuchtautomatik**
Fresh Intellivent hat eine vollautomatische Feuchtigkeitsregelung, die dafür sorgt, dass der Lüfter nur dann in Betrieb ist, wenn er tatsächlich gebraucht wird.
- **Timer-Betrieb**
Einstellbare Nachlaufzeit - 5, 15 oder 30 Minuten
- **Drehzahlregelung**
Über die eingebaute Drehzahlregelung kann man Geräuschpegel und Leistung nach Bedarf einstellen.
- **Dauerbetrieb**
Der Lüfter kann im Dauerbetrieb laufen, wenn in der Wohnung eine Grundbelüftung gewünscht wird. Dadurch wird auch die Gefahr der Abstrahlungs-kälte bei der Wandmontage verhindert.
- **Lüftungsfunktion**
Wenn der Lüfter 26 Stunden inaktiv gewesen ist, wird ein Lüftungsprogramm aktiviert, das 60 Minuten läuft.
- **Pausenfunktion**
Der Lüfterbetrieb kann mit dem Zugschalter für eine Stunde unterbrochen werden.
- **Allpoliger Schalter**
Der Lüfter ist mit einem allpoligen Schalter ausgestattet, so dass kein externer Schalter benötigt wird.
- **LED-Anzeige**
Eine Leuchtdiode mit drei Farben zeigt an, in welcher Betriebsart der Lüfter gegenwärtig läuft.
- **12-Volt-Motor**
Der Motor ist ausgesprochen robust und hat eine Haltbarkeit von etwa 60.000 Betriebsstunden. Dieser Motortyp zeichnet sich außerdem durch seine Laufruhe aus.

INSTALLATIONSANLEITUNG

1 Inhalt

Die Verpackung sollte folgende Teile enthalten:

- Lüfter
- 2 Anschlussstutzen, Größe $\text{\O} 98$ mm und $\text{\O} 118$ mm
- Bedienungsanleitung
- Zubehörbeutel mit 4 Schrauben und Dübeln, Zugschnur mit Anhänger und eine Isolierung für das FK-Kabel

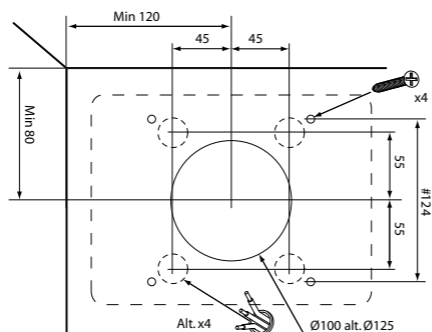
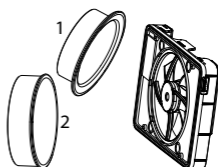
DE

2 Einbau

Der Lüfter kann in der Wand oder in der Decke eingebaut werden. Einbauabmessungen siehe nachstehende Abbildung. Der Lüfter darf nicht in Umgebungen installiert werden, in denen die Temperatur $50\text{ }^{\circ}\text{C}$ übersteigt. Bei Bedarf ist am Lüftergehäuse ein geeigneter Anschlussstutzen zu befestigen, $\text{\O} 98$ (1) für $\text{\O} 100$ -er Rohre oder $\text{\O} 118$ (2) für $\text{\O} 125$ -er Rohre.

Der Lüfter eignet sich auch zur Aufputzmontage ohne Anschlussstutzen, z. B. bei Anschlussrohren unter $\text{\O} 98$.

Beim Einbau sicherstellen, dass zwischen Rohr/Kanal und Wand/Decke eine Dichtung vorhanden ist, damit feuchte Luft/Kondenswasser nicht in die Wand oder die Decke eindringen kann. Bei Bedarf die mitgelieferten Schrauben und Dübel verwenden.



3 Anschluss

- Die Installation ist von einem qualifizierten Elektriker durchzuführen.
- Der Lüfter ist doppelt isoliert und nicht für eine Erdung vorgesehen.
- Der Lüfter ist mit einem allpoligen Schalter ausgestattet, so dass kein externer Schalter benötigt wird.

1 Den allpoligen Schalter in Stellung 0 - OFF bringen.

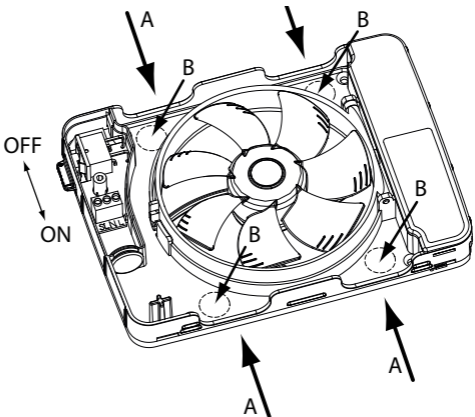
2 Das Kabel entweder durch die Eingänge A am Gehäuse (Aufputzmontage) oder durch die Eingänge B am Gehäuse (Unterputzmontage) anbringen, siehe nachste hende Abbildungen. Die mitgelieferte Isolierung für FK-Kabel verwenden.

3 Wird einer der B-Eingänge verwendet, ist der runde, verdeckte Kunststoffdeckel innerhalb der Bruchkerbe von innen nach außen zur Rückseite herauszuklopfen, z. B. mit einem Schraubendreher.

Kabeleingänge

A = Aufputzmontage

B = Unterputzmontage



4. Installationsalternativen

Der Lüfter lässt sich je nach Funktion auf drei verschiedene Arten installieren:

1. Ausschließlich zur Feuchtigkeitsregelung, siehe Schaltplan 1.

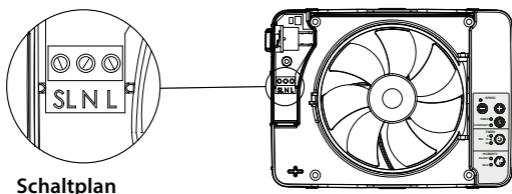
Der Lüfter wird mit Dauerphase (L) und Neutralleiter (N) zur automatischen Feuchtigkeitsregelung angeschlossen. Der Timer lässt sich durch Ziehen an der montierten Zugschnur manuell aktivieren (siehe Seite 8).

2. Feuchtigkeitsregelung + Timer-Betrieb über den Lichtschalter, siehe Schaltplan 2

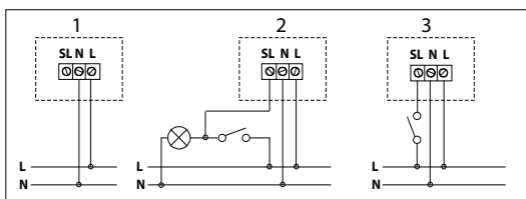
Der Lüfter wird mit Dauerphase (L) und Neutralleiter (N) zur automatischen Feuchtigkeitsregelung angeschlossen. Die Schalterleitung (SL) wird zur Aktivierung der Timer-Steuerung angeschlossen, das heißt, dass Strom an der Schalterleitung anliegt, sobald die Badezimmerlampe eingeschaltet wird. Diese Option ermöglicht einen um 90 Sekunden verzögerten Start des Lüfters.

3. Feuchtigkeitsregelung + Timer-Betrieb über den gefederten Schalter, siehe Schaltplan 3

Der Lüfter wird mit Dauerphase (L) und Neutralleiter (N) zur automatischen Feuchtigkeitsregelung angeschlossen. Die Steuerphase (SL) wird zur Aktivierung der Timer-Steuerung mit einem gefederten Schalter angeschlossen. Bei dieser Option wird der Lüfter direkt gestartet.

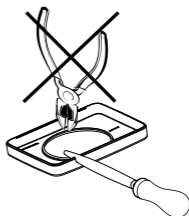


Schaltplan



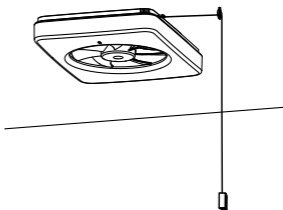
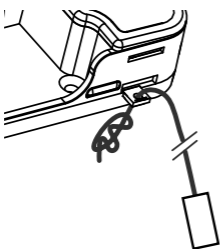
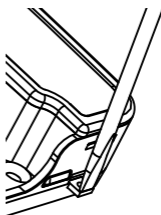
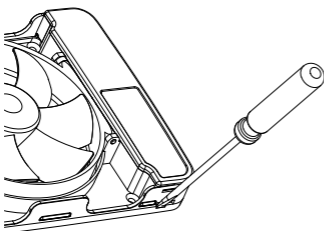
HINWEIS!

Mit einer normalen Rundfeile in der Frontabdeckung an einer geeigneten Stelle eine einwandfreie Öffnung herausfeilen. Dazu **KEINE** Zangen oder dergleichen verwenden, da so Risse im Gehäuse entstehen können.



5. Anschluss des Zugschalters

Eine Zugschnur zur manuellen Aktivierung oder Unterbrechung des Timer-Betriebs installiert werden. Dazu die Montageplatte z. B. mit einem Schraubendreher entfernen und die mitgelieferte Schnur gemäß den nachfolgenden Abbildungen in der Öffnung anbringen.



- Nach Abschluss der Installation den Sicherheitsschalter nach unten in Stellung I – ON bringen und so den Lüfter einschalten.

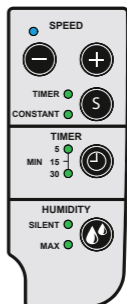
Beim Stromanschluss des Lüfters wird ein Selbsttest durchgeführt, bei dem die Elektronik, die LED-Leuchten und die Motorfunktion überprüft werden. Danach ist der Lüfter betriebsbereit.

6. Werkseitige Einstellung

- Timer - 5 Minuten
- Feuchtigkeitsgeschwindigkeit - still (70 % der Höchstleistung)
- Timer-Geschwindigkeit - 70 % der Höchstleistung
- Dauerbetrieb - Aus

Rückstellung auf werkseitige Einstellungen

Den S-Schalter mindestens 5 Sekunden gedrückt halten.



7. Einstellung der Funktionen

Eventuelle Anpassung an die jeweiligen Anforderungen:

1. Einstellung der Drehzahl für den Timer-Betrieb

Den S-Schalter so lange gedrückt halten, bis die Timer-Lampe aufleuchtet.

Die Geschwindigkeit mit den SPEED-Tasten festlegen. Zur Rückstellung auf werkseitige Einstellungen beide SPEED-Tasten gleichzeitig drücken.

2. Nachlaufzeit

Den Timer auf 5, 15 oder 30 Minuten einstellen.

3. Feuchtbetrieb/ Humidity

Den geräuscharmen (silent) Betrieb oder Höchstleistung einstellen - kleines oder großes Badezimmer.

4. Dauerbetrieb

Den S-Schalter so lange gedrückt halten, bis die Lampe CONSTANT aufleuchtet. Die Drehzahl mit den SPEED-Tasten festlegen.

Abschaltung des Dauerbetriebs: Den S-Schalter so lange gedrückt halten, bis die Lampe CONSTANT erlischt.

Einstellung der Empfindlichkeit

Je nach Größe, Selbstlüftung, Temperatur usw. kann das Badezimmer ein sehr unterschiedliches Klima haben. Dies kann sich wiederum auf das Ansprechen des Lüfters auswirken, weil er nach eigenem Ermessen bei Feuchtigkeit zu häufig oder zu selten startet.

Werkseitig ist er auf 2 eingestellt: normales Ansprechen auf Feuchtigkeit, für den Großteil der Fälle geeignet.

Die Feuchtfunktion lässt sich auch komplett deaktivieren.

1) Gleichzeitig die Schalter Speed + und Humidity betätigen (die blaue und gelbe Leuchtdiode blinken schnell).

Die Taste Humidity Mode so lange drücken, bis die gewünschte Empfindlichkeitsstufe gewählt ist.

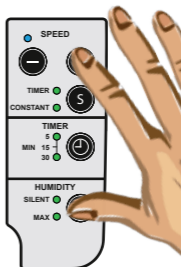
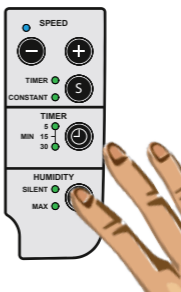
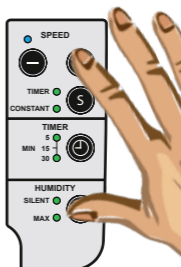
Stellung 1: Die Leuchtdiode für geräuscharmen Betrieb (silent) leuchtet – schnelles Ansprechen auf Feuchtigkeit.

Stellung 2: Die Leuchtdiode für Höchstleistung (max) leuchtet – normales Ansprechen auf Feuchtigkeit.

Stellung 3: Die Leuchtdioden für geräuscharmen Betrieb und Höchstleistung leuchten gleichzeitig – langsames Ansprechen auf Feuchtigkeit.

Stellung 4: Keine der Leuchtdioden leuchtet – die Feuchtigkeitsregelung ist abgeschaltet.

2) Gleichzeitig die Schalter Speed + und Humidity betätigen (die blaue und gelbe Leuchtdiode hören auf zu blinken).



2. Pausenfunktion über Momentschalter

Der Lüfter kann mit einem externen Momentschalter eine Stunde lang abgeschaltet werden. Dieser wird gemäß Schaltplan 3 auf Seite 7 angeschlossen.

Ist diese Funktion aktiviert, lässt sich die Funktion an SL angeschlossene „Startverzögerung“ nicht über die Schalterleitung (Beleuchtung) nutzen.

DE

Einschaltung

1. Gleichzeitig die Schalter Speed + und Humidity betätigen (die blaue und gelbe Leuchtdiode blinken schnell).

2 Den Timer-Schalter 5 Sekunden lang gedrückt halten, bis die Leuchtdiode für 5 Minuten leuchtet.

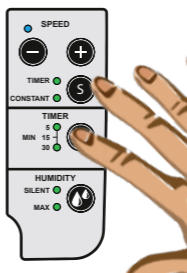
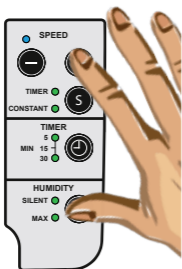
3. Gleichzeitig die Schalter Speed + und Humidity betätigen (die blaue und gelbe Leuchtdiode hören auf zu blinken).

Abschaltung

1 Gleichzeitig die Schalter Speed + und Humidity betätigen (die blaue und gelbe Leuchtdiode blinken schnell).

2 Den Timer-Schalter 5 Sekunden lang gedrückt halten, bis keine Leuchtdiode für Timer-Nachlauf mehr leuchtet.

3 Gleichzeitig die Schalter Speed + und Humidity betätigen (die blaue und gelbe Leuchtdiode hören auf zu blinken).



LED

Was macht der Lüfter?

Fresh Intellivent hat eine Leuchtdiode mit den Farben Gelb, Blau und Violett.

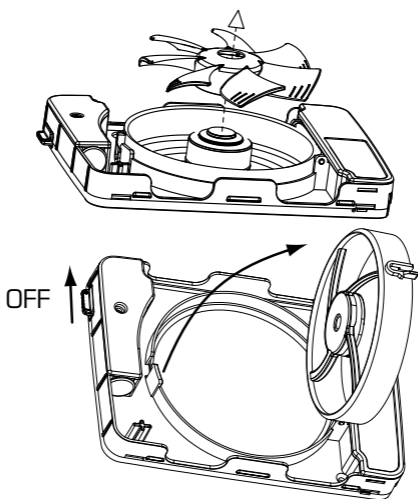
Anhand dieser drei Farben erkennt der Benutzer den aktuellen Status des Lüfters und die gegenwärtige Motorsteuerfunktion.

- **Keine Leuchtdiode leuchtet.**
Der Lüfter ist abgeschaltet oder läuft im Dauerbetrieb.
- **Die blaue Leuchtdiode leuchtet.**
Der Lüfter läuft – der Feuchtigkeitssensor hat im Raum eine erhöhte Feuchtigkeit festgestellt.
- **Die blaue Leuchtdiode blinkt.**
Der Lüfter läuft – der Feuchtigkeitssensor hat festgestellt, dass er seinen Referenzwert für die Feuchtigkeit im Raum senken kann.
- **Die gelbe Leuchtdiode leuchtet.**
Der Lüfter läuft – die Timer-Steuerung ist aktiviert.
- **Die gelbe Leuchtdiode blinkt.**
Der Timer-Betrieb mit verzögerter Einschaltung wurde über den Lichtschalter aktiviert.
Die Leuchtdiode blinkt 1,5 Minuten lang, bis der Lüfter anläuft.
- **Die violette Leuchtdiode leuchtet.**
Der Lüfter läuft – die Lüftungsfunktion ist aktiviert.
- **Die gelbe und die blaue Leuchtdiode blinken langsam abwechselnd.**
Die Pausenfunktion ist aktiviert.
- **Die gelbe und die blaue Leuchtdiode blinken schnell abwechselnd.**
Der Programmierbetrieb des Lüfters ist aktiviert.

WARTUNG

Fresh Intellivent ist so konzipiert, dass der Lüfter seine Funktion viele Jahre lang effizient erfüllt.

Damit er korrekt funktionieren kann, muss der Lüfter in regelmäßigen Abständen gereinigt werden. Das Reinigungsintervall hängt von der Häufigkeit der Nutzung und von der Luftqualität ab. Der Lüfter ist mindestens zwei mal pro Jahr oder nach Bedarf zu reinigen. Den Lüfter durch Umlegen des Sicherheitsstromschalters nach oben in Stellung O - OFF ausschalten. Der Lüfter ist mit einem abnehmbaren Propeller ausgestattet. Mit dem Daumen den Mittelpunkt eindrücken, die Ventilatorflügel ergreifen und den Propeller abziehen. Sehr praktisch ist auch die Schwenkfunktion des Lüfters, die den freien Zugriff auf den Kanal ermöglicht. Den Schnellverschluss des Motorrings eindrücken und den Motor bzw. das Lüfterrad zur Seite schwenken.



Bei Bedarf Verschmutzungen vom Kanal bzw. Rohr entfernen. Wird der Schmutz nicht entfernt, wirkt sich dies eventuell auf die Leistung aus.

Reinigen Sie vor allem die Blätter des Lüfterrads. Durch Verschmutzungen können Unwuchten entstehen, die den Geräuschpegel anheben und die Haltbarkeit der Motorkugellager verkürzen.

Die Propeller des Lüfters sind mit einer Bürste oder einem Pinsel zu reinigen, am einfachsten mit einer Spülbürste und einer Spülmittellösung.

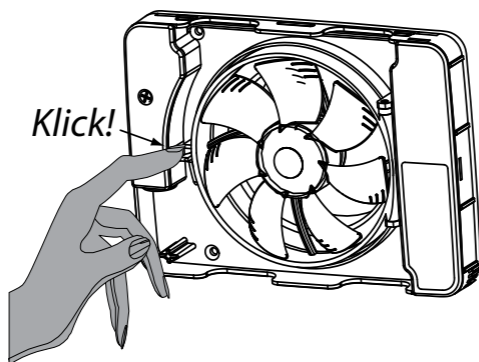
Den Propeller nach der Reinigung abtrocknen.
Für die Reinigung des Lüftergehäuses ist ein feuchtes Putztuch mit Wasser und eventuell eine milde Seifenlösung zu verwenden.

HINWEIS! Für den Lüfter niemals Lösungsmittel oder dergleichen verwenden, da diese die Kunststoffteile des Lüfters beschädigen können!

Den Lüfter nie vollständig in Wasser eintauchen, da der Motor dadurch beschädigt werden kann.

Den Motorring nach der Reinigung wieder zurückschwenken und mit dem Schnellverschluss arretieren. Den Propeller wieder anbringen und bis zum Einrasten andrücken. Den Sicherheitsschalter durch Verlegen des Reglers nach unten in Stellung 1 (Ein) einschalten.

Werden die Wartungsanweisungen für den Lüfter nicht befolgt, erlischt die Produktgarantie.



GARANTIE

Der Hersteller gewährt **eine fünfjährige Garantie** auf Herstellungsfehler. Für die Inanspruchnahme der Garantie müssen neben der Vorlage des Kaufbelegs noch folgende Bedingungen erfüllt werden:



DE

- Montage und Installation müssen gemäß den Installationsanweisungen in diesem Handbuch erfolgen.
- Die Wartung muss gemäß den Wartungsanweisungen in diesem Handbuch erfolgen.
- Der Lüfter wurde in einem normalen Wohnbereich eingebaut.
- Der Lüfter wurde an eine Stromversorgung von 100-240 V AC angeschlossen.
- Der Lüfter darf weder Blitzschlag noch außergewöhnlichen Stromspitzen ausgesetzt worden sein.
- Der Lüfter wurde keinen äußeren Einwirkungen ausgesetzt.
- Der Lüfter wurde in einer Zone mit der Schutzart IP44 eingebaut.
- Der Lüfter darf nicht in Räumen installiert worden sein, in denen die Temperatur 50 °C übersteigt.

Reklamationen sind an den Händler zu richten.

ENTSORGUNG

Das Produkt trägt eine WEEE-Kennzeichnung als Zeichen dafür, dass es nicht mit dem normalen Hausmüll entsorgt werden darf, sondern zum zuständigen Recyclinghof gebracht werden muss.

Fresh AB ist an ein in Schweden landesweit aufgebautes Recyclingsystem angeschlossen, das den WEEE Richtlinien der EU entspricht. Weitere Info: www.fresh.eu



ZUBEHÖR

Für Fresh Intellivent ist eine Reihe von Zubehör erhältlich, das eine schnelle und saubere Montage ermöglicht. Nachstehend sind einige Zubehörbeispiele aufgeführt.

Rohre

für die Größen
100 und 125



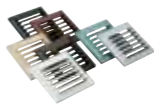
Abdeckplatte

190 x 240 mm
weiß und schwarz



Kunststoffgitter

für die Größen
100 und 125



Metallgitter

für die Größen
100 und 125



Schutz vor Abstrahlungskälte

für die Größen
100 und 125



YVG100 und 125



Durchführung mit Schutz
vor Abstrahlungskälte



Zur Gewährleistung einer vollständigen Lüftungsfunktion ist sicherzustellen, dass genügend Luft in das Badezimmer gelangen kann. Dies wird entweder über eine Aussparung an der Türunterseite oder durch Einbau eines Abluftventils an der Tür oder Wand erreicht.

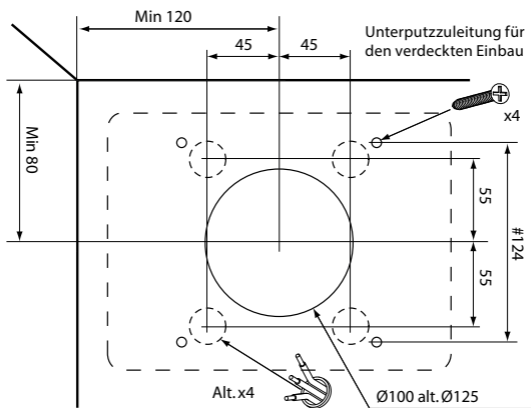
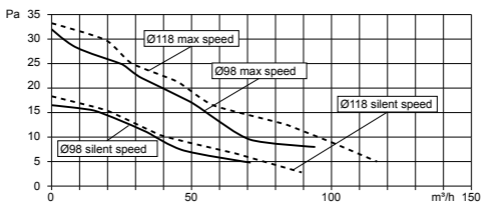
Auch die Versorgung des Hauses mit Frischluft ist wichtig. Diese wird dann u. a. über das Badezimmer und die Waschküche wieder abgeleitet. Hierfür sind bei Bedarf Zuluftventile in Schlaf- und Wohnzimmer einzubauen.

TECHNISCHE DATEN

Höchstleistung	134 m ³ /h		
Schalldruckpegel 3 m (geräuscharmer Betrieb)	21 dB(A)		
Leistungsaufnahme	2,1 - 5,5 W		
Abmessungen in der Wand	0 - 30 mm		
Lochbohrung	105 - 130 mm		
Material	ABS-Kunststoff		
Schutzart	IP44		
Isolierstoffklasse	□		
Spannung	100 - 240 V		
Frequenz	50 - 60 Hz		
Zertifizierungen	 		
Rohrabmessungen	Max/ Silent	Kapazität (Freigebläse)	Schalldruckpegel 3 m
Ø 98	Max	107 m ³ /h	28 dB(A)
Ø 98	Silent	74 m ³ /h	21 dB(A)
Ø 98	Constant	42 m ³ /h	12 dB(A)
Ø 118	Max	134 m ³ /h	29 dB(A)
Ø 118	Silent	86 m ³ /h	21 dB(A)
Ø 118	Constant	55 m ³ /h	13 dB(A)

DE

Kapazität



FEHLERSUCHE

Der Lüfter startet nicht.

Der Lüfter wurde gerade erst neu installiert und war noch nie in Betrieb.

Überprüfen, ob sich das Lüfterrad unbehindert drehen kann.

Die Stellung des Sicherheitsschalters überprüfen. Dieser muss sich in Stellung I - ON befinden.

Den Lüfter ausschalten, dazu den Sicherheitsschalter auf 0 - OFF und anschließend wieder auf I - ON stellen.

sicherstellen, dass am Kontakt L Spannung anliegt
(nur Elektriker).

Durch Messung der Spannung über L-N (nur vom Elektriker auszuführen) sicherstellen, dass der Neutralleiter korrekt angeschlossen ist.

Der Lüfter ist bereits eine Weile in Betrieb gewesen.

Überprüfen, ob sich das Lüfterrad unbehindert drehen kann.

Den Lüfter ausschalten, dazu den Sicherheitsschalter auf 0 - OFF und anschließend wieder auf I - ON stellen.

Den Lüfter etwa 3 Sekunden ausgeschaltet lassen, bevor er wieder eingeschaltet wird.

Der Lüfter wurde gereinigt.

Überprüfen, ob sich das Lüfterrad unbehindert drehen kann.

Die Stellung des Sicherheitsschalters überprüfen. Dieser muss sich in Stellung I - ON befinden.

Der Lüfter läuft ständig.

Die blaue LED leuchtet ständig

(nachdem der Lüfter mindestens 24 Stunden in Dauerbetrieb war).

Zur Überprüfung der Funktion die Badezimmertür zum Ausgleich des Feuchtigkeitsgehaltes mindestens eine halbe Stunde lang öffnen.

Den Lüfter ausschalten, dazu den Sicherheitsschalter auf 0 - OFF und anschließend wieder auf I - ON stellen.

Die gelbe LED leuchtet ständig.

Ist der Lüfter für den Timer-Betrieb an einen externen Schalter angeschlossen, ist dieser mindestens 30 Minuten lang auszuschalten.

Den Lüfter ausschalten, dazu den Sicherheitsschalter auf 0 - OFF und anschließend wieder auf I - ON stellen.

Keine LED leuchtet.

Dies ist ganz normal, wenn der Lüfter auf Dauerbetrieb eingestellt ist. In dieser Betriebsart leuchtet keine LED.

Wenn der Lüfter auf Dauerbetrieb eingestellt ist, ist er auszuschalten. Dazu den Sicherheitsschalter auf 0 - OFF und anschließend wieder auf I - ON stellen.

Sonstige Fehler

Der Lüfter wird abgeschaltet, sobald das Licht ausgeschaltet wird.

Der Lüfter wurde falsch eingebaut. Der Kontakt L am Klemmenblock muss immer direkt mit der Phase verbunden sein.

Einen Elektriker hinzuziehen.

Der Lüfter wird abgeschaltet, sobald das Licht eingeschaltet wird.

Der Lüfter ist wahrscheinlich auf eine Pause mit dem Momentschalter programmiert. Änderung der Programmierung siehe Seite 11.

Der Lüfter funktioniert nicht wie beschrieben.

Das Gehäuse abnehmen und das Gerät ausschalten. Dazu den Sicherheitsschalter auf 0 und anschließend wieder auf I stellen.

Wenn der Lüfter anschließend immer noch nicht wie in dieser Bedienungsanleitung beschrieben funktioniert, ist Kontakt zum Händler oder per E-Mail zu Fresh aufzunehmen: intellivent@fresh.se

Merci d'avoir choisi ce produit Fresh.

Nous vous recommandons de lire ce manuel/mode d'emploi intégralement avant d'installer et d'utiliser le ventilateur.

Rangez-le ensuite soigneusement afin de pouvoir l'utiliser comme référence à l'avenir.

Informations relatives à la sécurité!

Les enfants de plus de 8 ans et les personnes aux capacités physiques, sensorielles ou mentales réduites ou ne possédant pas l'expérience ou les connaissances nécessaires peuvent utiliser l'appareil s'ils ont disposé d'une surveillance adéquate ou été suffisamment formés pour utiliser l'appareil en toute sécurité et s'ils ont compris les risques encourus. Ne pas laisser les enfants jouer avec l'appareil. Le nettoyage et l'entretien ne doivent pas être effectués par des enfants sans surveillance.

SOMMAIRE

4 Description des fonctions

5 Guide d'installation

1 Contenu

2 Montage

3 Raccordement

4 Installations possibles

5 Raccordement de l'interrupteur à tirette

6 Réglage d'usine

7 Réglage des fonctions

10 Fonctions avancées

- Choix du mode de sensibilité à l'humidité
- Activation de la fonction pause à l'aide de l'interrupteur momentané

12 Témoin LED

13 Entretien

15 Garantie

15 Recyclage

16 Accessoires

17 Caractéristiques techniques

18 Guide de dépiage des pannes

FR

DESCRIPTION DES FONCTIONS

- **Automatisme hygrométrique**
Fresh Intellivent est équipé d'un pilotage entièrement automatique par hygrométrie. Le ventilateur apprend à fonctionner exclusivement quand il est utile.
- **Pilotage par temporisation**
Durée de fonctionnement réglable - 5, 15 ou 30 min.
- **Régulation du régime de rotation**
La régulation intégrée du régime de rotation permet de régler le niveau sonore et la capacité selon les besoins.
- **Fonctionnement continu**
Permet de laisser le ventilateur fonctionner en continu si une ventilation de base est requise dans le bâtiment. Élimine également le risque de courants d'air froid en cas de montage mural.
- **Fonction aération**
Commande le démarrage d'un programme d'aération pendant 60 minutes après 26 heures d'inactivité du ventilateur.
- **Fonction pause**
Le ventilateur peut être mis en pause pendant une heure à l'aide de l'interrupteur à tirette.
- **Interrupteur multipolaire**
Le ventilateur est équipé d'un interrupteur multipolaire qui élimine le besoin d'un interrupteur externe.
- **Témoin LED**
Une diode tricolore indique la fonction actuelle du ventilateur.
- **Moteur à 12 volts**
Le moteur est de type « longlife » et offre une durée de vie d'environ 60 000 heures. Ce type de moteur permet en outre un fonctionnement silencieux.

GUIDE D'INSTALLATION

1 Contenu

L'emballage doit contenir les éléments suivants :

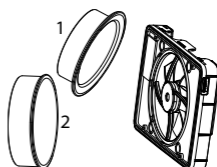
- Ventilateur
- 2 piquages, un de Ø 98 mm et un de Ø 118 mm
- Manuel
- Sac d'accessoires avec 4 vis et chevilles, tirette avec bouton et isolation pour fil électrique multibrins

FR

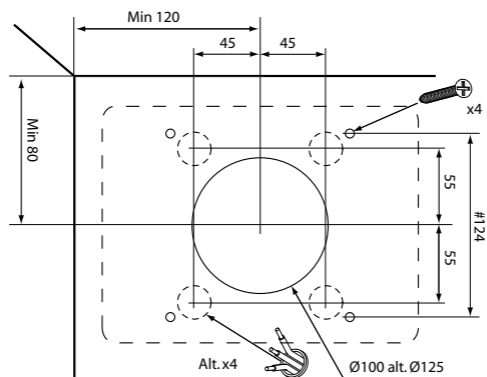
2 Montage

Le ventilateur peut être monté dans une cloison ou un plafond. Voir l'illustration ci-dessous pour les cotes de montage. Ne pas monter le ventilateur dans un environnement soumis à une température dépassant 50 °C. Monter un piquage adapté au bâti du ventilateur, Ø 98 (1) pour conduit Ø 100 ou Ø 118 (2) pour conduit Ø 125.

Le ventilateur peut également être monté et utilisé sans piquage, appliqué directement, par exemple sur un conduit de diamètre inférieur à 98 mm.



Pendant le montage, veiller à installer un joint entre le conduit/la canalisation et la cloison/le plafond pour éviter les infiltrations d'air humide/de condensation. Utiliser les vis et chevilles fournies si adéquates.



3 Raccordement

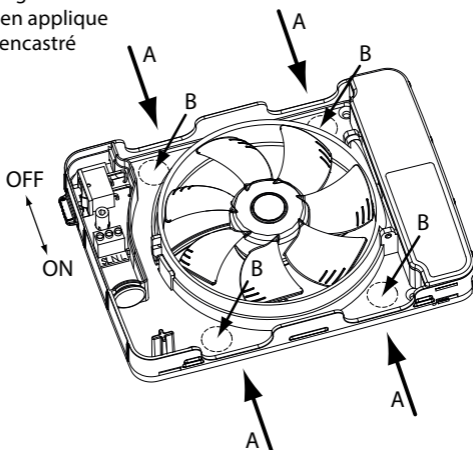
- L'installation doit être effectuée par un électricien agréé.
- Le ventilateur est équipé d'une double isolation et n'a pas besoin de mise à la terre.
- Le ventilateur est équipé d'un interrupteur multipolaire et n'a donc pas besoin d'être protégé par un interrupteur externe.

- 1 Soulever l'interrupteur multipolaire sur la position désactivée 0 - OFF.
- 2 Installer le fil conducteur soit en applique par les passages A du bâti comme indiqué ci-dessous, soit en montage encastré par les passages B du bâti comme indiqué ci-dessous. Utiliser la douille d'isolation pour fil multibrins fournie.
- 3 En cas d'utilisation de l'un des passages B, déposer le couvercle dissimulé en plastique rond en enfonçant le cache entouré d'une indication de rupture depuis l'intérieur vers l'extérieur à l'aide d'un tournevis par exemple.

Passages des fils conducteurs

A = en applique

B = encastré



4 Installations possibles

Trois modes d'installation du ventilateur sont possibles selon le fonctionnement recherché, voir ci-dessous :

1 Pilotage exclusivement par hygrométrie, voir schéma 1

Raccorder le ventilateur à la phase constante (L) et au neutre (N) pour un pilotage par hygrométrie automatique. La minuterie peut être activée manuellement en y attachant une ficelle que l'on tirera (voir page 8).

2 Pilotage par hygrométrie + pilotage par temporisation avec un interrupteur d'éclairage, voir schéma 2

Raccorder le ventilateur à la phase constante (L) et au neutre (N) pour un pilotage automatique par hygrométrie.

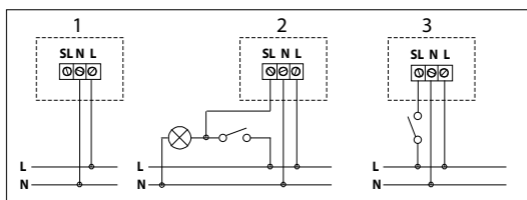
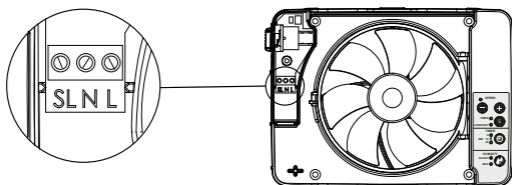
Le fil d'éclairage (SL) est branché pour activer le pilotage du ventilateur par temporisation, c'est-à-dire quand l'éclairage de la salle de bains est allumé, le fil d'éclairage est sous tension. Cette configuration produit un délai de 90 secondes.

3 Pilotage par hygrométrie + pilotage par temporisation avec un interrupteur poussoir, voir schéma 3

Raccorder le ventilateur à la phase constante (L) et au neutre (N) pour un pilotage automatique par hygrométrie. La phase de commande (SL) est connectée pour activer le pilotage du ventilateur par temporisation avec un interrupteur poussoir. Dans cette configuration, le ventilateur démarre immédiatement.

FR

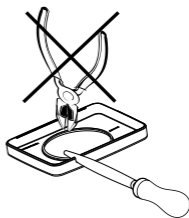
Schémas de raccordement



Remarque !

Utiliser une lime ronde de type courant pour obtenir un passage propre dans le panneau avant.

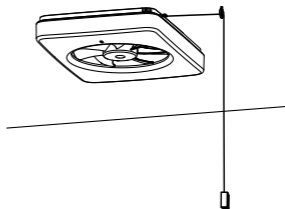
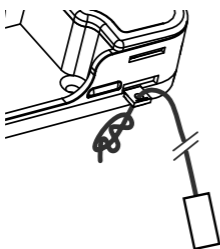
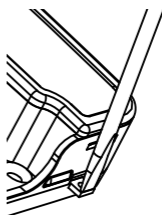
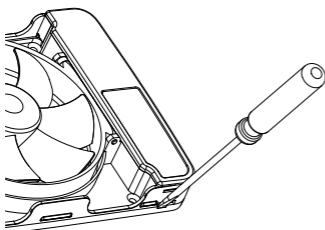
Ne PAS utiliser de pince coupante ou similaire, pour éviter d'endommager le panneau.



5 Raccordement de l'interrupteur à tirette

Une tirette peut être installée pour activer manuellement le pilotage par temporisation ou mettre le ventilateur en pause.

Déposer la plaque de montage à l'aide d'un tournevis par exemple et monter la ficelle fournie dans le passage.



- Quand l'installation est terminée, abaisser l'interrupteur de sécurité en position I – ON pour réactiver le ventilateur.

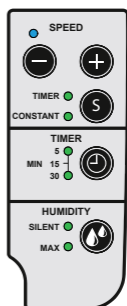
Quand le ventilateur est raccordé au secteur, il procède à un autotest du système électronique, des voyants LED et du moteur. Le ventilateur est maintenant prêt à être utilisé.

6 Réglage d'usine

- minuterie : 5 minutes
- vitesse d'hygrométrie - silencieux (70 % de max)
- vitesse de minuterie - 70 % de max
- fonctionnement constant - dés activé

Réinitialisation au réglage d'usine

Maintenir le bouton S enfoncé pendant au moins 5 secondes.



FR

7 Réglage des fonctions

Adaptation éventuelle aux besoins de l'utilisateur :

1. Réglage du régime de rotation pour le fonctionnement temporisé.

Appuyer sur le bouton S jusqu'à ce que le voyant de la minuterie s'allume.

Choisir la vitesse à l'aide des boutons SPEED.

Pour revenir au réglage d'usine du régime de rotation, appuyer simultanément sur les deux boutons SPEED.

2. Durée de fonctionnement

Régler la minuterie sur 5, 15 ou 30 minutes.

3. Mode pilotage par hygrométrie/ humidity

Régler la capacité sur silencieux (« silent ») ou max - petite ou grande salle de bains.

4. Fonctionnement continu

Appuyer sur le bouton S jusqu'à ce que le voyant « CONSTANT » s'allume. Choisir le régime à l'aide des boutons SPEED.

Désactivation du fonctionnement continu : appuyer sur le bouton S jusqu'à ce que le voyant « CONSTANT » s'éteigne.

Choix du mode de sensibilité à l'humidité

Le climat des salles de bains peut varier en fonction de la taille de la pièce, du tirage naturel éventuel, de la température, etc. Ceci peut avoir un impact sur la réaction à l'humidité du ventilateur, qui peut sembler démarrer trop tôt ou trop tard.

Le réglage d'usine est la position 2 : réaction à l'humidité normale qui, dans la plupart des cas, est la meilleure solution.

On peut également choisir d'arrêter complètement la fonction hygrométrie.

1) Appuyer simultanément sur les boutons « speed + » et « humidity mode » (la diode bleue et jaune clignote rapidement).

Appuyer sur le bouton « humidity mode » jusqu'à ce que le mode de sensibilité à l'humidité souhaité soit sélectionné.

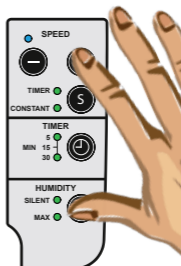
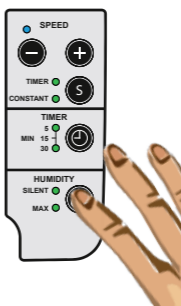
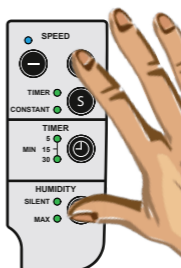
Position 1 : la diode « silent » est allumée – réaction rapide à l'humidité.

Position 2 : la diode « max » est allumée – réaction normale à l'humidité.

Position 3 : les diodes « silent » et « max » sont allumées simultanément – réaction lente à l'humidité.

Position 4 : aucune des diodes « silent » et « max » n'est allumée – le pilotage par hygrométrie est désactivé.

2) Appuyer simultanément sur les boutons « speed + » et « humidity mode » (la diode bleue et jaune cesse de clignoter).



Fonction pause à l'aide de l'interrupteur momentané.

Le ventilateur peut être mis en pause pendant une heure à l'aide d'un interrupteur momentané externe. Il se raccorde conformément au schéma 3 de la page 7.

Lorsque cette fonction est sélectionnée, il est impossible d'utiliser la fonction de démarrage temporisé à l'aide du fil d'éclairage connecté à SL.

FR

Activation

1 Appuyer simultanément sur les boutons « speed + » et « humidity mode »
(la diode bleue et jaune clignote rapidement).

2 Appuyer sur le bouton de minuterie et le maintenir enfoncé pendant 5 secondes jusqu'à ce que la diode correspondant à 5 min soit allumée.

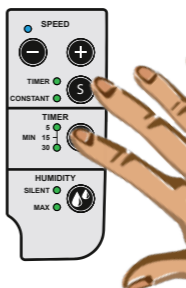
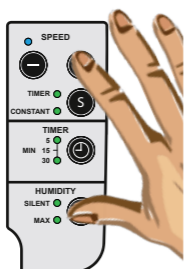
3 Appuyer simultanément sur les boutons « speed + » et « humidity mode »
(la diode bleue et jaune cesse de clignoter).

Désactivation

1 Appuyer simultanément sur les boutons « speed + » et « humidity mode »
(la diode bleue et jaune clignote rapidement).

2 Appuyer sur le bouton de minuterie et le maintenir enfoncé pendant 5 secondes jusqu'à ce qu'aucune diode de fonctionnement temporisé ne soit allumée.

3 Appuyer simultanément sur les boutons « speed + » et « humidity mode »
(la diode bleue et jaune cesse de clignoter).



LED

Témoin LED : que fait le ventilateur ?

Fresh Intellivent est équipé d'une LED tricolore jaune, bleue et violette. Ces trois couleurs informent l'utilisateur de l'activité du ventilateur et de la fonction qui commande le moteur.

- **Aucune diode allumée**

Le ventilateur est à l'arrêt ou tourne en fonctionnement continu.

- **Diode bleue allumée**

Le ventilateur est en marche : le capteur d'humidité a détecté une augmentation de l'hygrométrie dans la pièce.

- **Diode bleue clignotante**

Le ventilateur est en marche : le capteur d'humidité a découvert qu'il peut réduire l'hygrométrie dans la pièce.

- **Diode jaune allumée**

Le ventilateur est en marche : la commande par temporisation est activée.

- **Diode jaune clignotante**

La commande par temporisation avec démarrage temporisé est activée par l'interrupteur d'éclairage. La diode clignote pendant 1,5 min avant le démarrage du ventilateur.

- **Diode violette allumée**

Le ventilateur est en marche : la fonction aération est activée.

- **La diode clignote lentement en jaune et bleu en alternance**

La fonction pause est activée.

- **La diode clignote rapidement en jaune et bleu en alternance**

Le mode de programmation est activé.

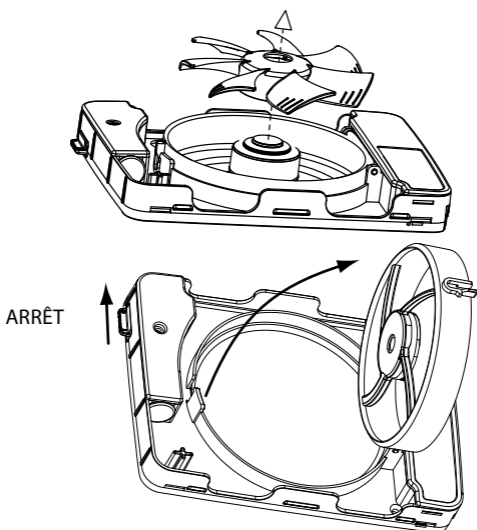
ENTRETIEN

Fresh intelligent a été conçu pour fonctionner efficacement pendant de nombreuses années.

Pour que le ventilateur fonctionne correctement, il doit être nettoyé à intervalles réguliers. L'intervalle est défini par le taux d'utilisation du ventilateur ainsi que par la qualité de l'air. Nettoyer le ventilateur au moins deux fois par an ou au besoin. Mettre le ventilateur hors tension en soulevant l'interrupteur multipolaire en position O - OFF. Le ventilateur est équipé d'une turbine amovible. Appuyer au centre avec le pouce, saisir les pales du ventilateur et extraire la turbine. La fonction « swing out » du ventilateur facilite l'accès au conduit. Appuyer sur le cliquet du collier moteur et faire basculer le moteur/la turbine.

FR

Nettoyer le conduit/tuyau en cas de dépôt de saleté. Cette couche peut réduire la capacité du ventilateur.



Nettoyer en particulier les pales de la turbine si elles présentent un dépôt de saleté. Un tel dépôt peut compromettre l'équilibre, entraînant un niveau sonore plus élevé et une réduction de la durée de vie des roulements à billes du moteur.

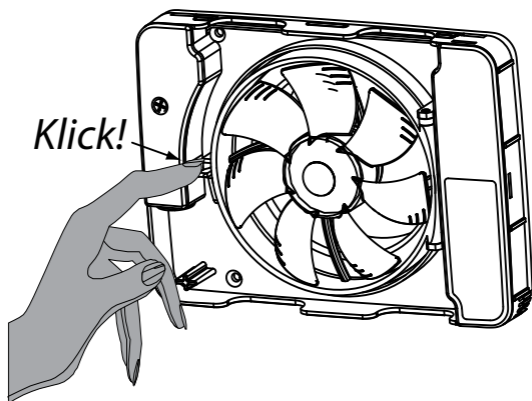
Nettoyer la turbine du ventilateur à l'aide d'une brosse ou d'un pinceau. Le plus simple est d'utiliser une brosse à vaisselle et un liquide vaisselle doux. Sécher la turbine après le nettoyage. Nettoyer le couvercle du ventilateur à l'aide d'un chiffon humide, éventuellement imbibé d'un peu de savon.

Remarque! Ne jamais utiliser de solvant ou produits similaires sur tout élément du ventilateur, car cela pourrait endommager ses éléments en plastique !

Ne jamais immerger le ventilateur dans l'eau, car cela peut endommager le moteur du ventilateur.

Après nettoyage, rabattre le collier moteur et le verrouiller en enfonçant le cliquet. Remonter la turbine en appuyant jusqu'à ce qu'elle s'encliquète. Refermer l'interrupteur multipolaire en positionnant le levier sur 1 - ON.

La garantie du ventilateur est annulée si l'entretien décrit ci-dessus n'est pas respecté.



GARANTIE

Nous offrons une **garantie de 5 ans** contre les défauts de fabrication.

Pour que la garantie soit valide, il faut pouvoir présenter le bon d'achat et le ventilateur doit :



- être monté et installé conformément au guide d'installation contenu dans ce manuel
- avoir été entretenu conformément aux instructions d'entretien de ce manuel
- être monté dans un logement normal
- être raccordé à une tension comprise entre 100 et 240 V CA
- n'avoir subi aucun coup de foudre ou surtensions anormales
- n'avoir été soumis à aucune dégradation
- avoir été installé dans une zone conforme à la classe IP 44
- ne pas avoir été installé dans un environnement soumis à une température ayant dépassé 50 °C.

FR

Les réclamations concernant le produit doivent être présentées au point de vente.

RECYCLAGE

Le produit porte le symbole DEEE, qui indique qu'il ne doit pas être jeté avec les ordures ménagères, mais remis à un point de collecte approprié en vue de son recyclage dans la commune correspondante.

Fresh AB adhère au réseau national de recyclage suédois, conformément à la directive européenne DEEE.

Pour des informations complémentaires, veuillez consulter le site www.fresh.eu



ACCESSOIRES

Une série d'accessoires destinés aux Fresh Intellivent aident l'utilisateur à procéder à une installation aussi simple et réussie que possible. Quelques exemples d'accessoires sont présentés ci-dessous.

Conduit

pour dimensions
100 et 125



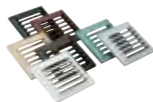
Plaque

de recouvrement
190 x 240 mm
blanc et noir



Grille en plastique

pour dimensions
100 et 125



Grille métallique

pour dimensions
100 et 125



Registre anti-souffle

pour dimensions
100 et 125



YVG100 et 125


Passage avec registre
anti-souffle.



Pour bénéficier d'une ventilation efficace, vous devez veiller à ce qu'une quantité d'air suffisante pénètre dans la salle de bains. La solution consiste à pratiquer une ouverture au bas de la porte ou à installer une vanne d'aération dans la porte ou dans la cloison.

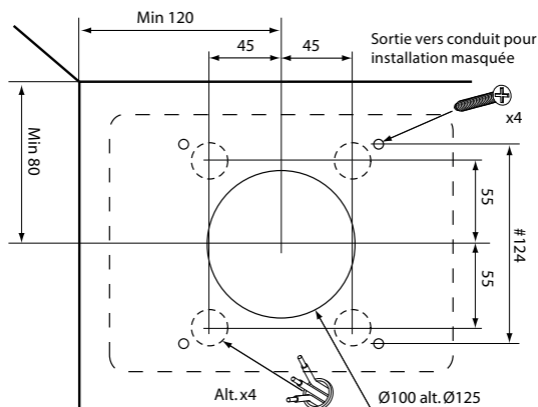
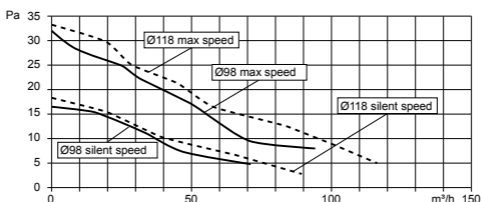
Il est également important de laisser l'air frais entrer dans la maison ; il sera ensuite évacué par la salle de bains et par la buanderie. Il faut alors monter des prises d'air dans les chambres et le séjour.

CARACTÉRISTIQUES TECHNIQUES

Capacité maximale	134 m ³ /h		
Pression acoustique à 3 m (mode Silencieux)	21 dB(A)		
Puissance consommée	2,1 - 5,5 W		
Cotes de montage dans cloison	0 - 30 mm		
Perçage	105 - 130 mm		
Matière	Plastique ABS		
Classe de protection	IP44		
Classe d'isolement	□		
Tension	100 - 240 V		
Fréquence	50 - 60 Hz		
Certificat	 		
Dimension conduit	Max/ Silencieux	Capacité (soufflage en air libre)	Pression acoustique à 3 m
Ø 98	Max	107 m ³ /h	28 dB(A)
Ø 98	Silencieux	74 m ³ /h	21 dB(A)
Ø 98	Constant	42 m ³ /h	12 dB(A)
Ø 118	Max	134 m ³ /h	29 dB(A)
Ø 118	Silencieux	86 m ³ /h	21 dB(A)
Ø 118	Constant	55 m ³ /h	13 dB(A)

FR

Capacité



GUIDE DE DÉPISTAGE DES PANNES

Le ventilateur ne démarre pas.

Le ventilateur vient d'être installé et n'a jamais été utilisé :
Vérifier que la turbine du ventilateur tourne librement.

Vérifier la position de l'interrupteur de sécurité. Il doit être en position I - ON.

Mettre le ventilateur hors tension : placer l'interrupteur de sécurité sur la position 0 - OFF, puis à nouveau sur la position I - ON.

Vérifier que le bornier L est alimenté en courant (électriciens seulement).

Vérifier que le neutre est correctement branché en mesurant la tension entre L et N (*électriciens seulement*).

Le ventilateur a été utilisé :

Vérifier que la turbine du ventilateur tourne librement.

Mettre le ventilateur hors tension : placer l'interrupteur de sécurité sur la position 0 - OFF, puis à nouveau sur la position I - ON.

Laisser le ventilateur hors tension pendant environ 3 secondes avant de le remettre sous tension.

Le ventilateur a été nettoyé :

Vérifier que la turbine du ventilateur tourne librement.

Vérifier la position de l'interrupteur de sécurité. Il doit être en position I - ON.

Le ventilateur fonctionne sans interruption

La diode LED bleue est allumée en permanence

(Si le ventilateur a fonctionné sans interruption pendant au moins 24 h)

Vérifier son fonctionnement en ouvrant la porte de la salle de bains et en la laissant ouverte pendant au moins une demi-heure pour équilibrer l'humidité.

Mettre le ventilateur hors tension : placer l'interrupteur de sécurité sur la position 0 - OFF, puis à nouveau sur la position I - ON.

La diode LED jaune est allumée en permanence

Si le ventilateur est relié à un interrupteur externe, pour pilotage par une minuterie, ouvrir ce dernier et attendre au moins 30 minutes.

Mettre le ventilateur hors tension : placer l'interrupteur de sécurité sur la position 0 - OFF, puis à nouveau sur la position I - ON.

Aucune diode LED ne s'allume

Ceci est tout à fait normal si le ventilateur est réglé pour fonctionner en continu. Dans ce mode, aucune LED ne s'allume.

Si le ventilateur n'est pas réglé pour fonctionner en continu, mettre le ventilateur hors tension : placer l'interrupteur de sécurité sur la position 0 - OFF, puis à nouveau sur la position I - ON.

Autres pannes

Le ventilateur s'arrête quand on éteint l'éclairage.

Le ventilateur a été mal installé. La borne L du bornier doit toujours recevoir la phase directe.

Contactez un électricien.

Le ventilateur s'arrête quand on allume l'éclairage

Le ventilateur est probablement programmé pour être mis en pause avec un interrupteur momentané. Voir les page 11 pour la déprogrammation

Le ventilateur ne fonctionne pas conformément à la description

Déposer le couvercle en façade et mettre le ventilateur hors tension en positionnant l'interrupteur de sécurité sur 0 et ensuite à nouveau sur I, Marche.

Si le ventilateur ne fonctionne toujours pas conformément à la description donnée dans ce manuel, contactez le revendeur ou Fresh par e-mail: intellivent@fresh.se

Bedankt dat u dit product van Fresh heeft gekozen. Voordat u de ventilator installeert en gebruikt, dient u de handleiding/gebruiksaanwijzing door te lezen. Bewaar de handleiding vervolgens om deze in de toekomst als referentie te kunnen gebruiken.

Veiligheidsinformatie!

Kinderen vanaf 8 jaar en ouder en personen met een fysieke, sensorische of mentale beperking of zonder de noodzakelijke kennis of ervaring kunnen het apparaat gebruiken indien zij voldoende begeleid worden of goed geïnstrueerd zijn zodat ze het apparaat op een veilige manier kunnen gebruiken en hebben begrepen welke risico's er aan het gebruik verbonden zijn. Kinderen mogen niet met het apparaat spelen. Schoonmaken en onderhoud mogen niet worden uitgevoerd door kinderen zonder begeleiding.

INHOUDSOPGAVE

4 Beschrijving functies

5 Installatiegids

- 1 Inhoudsopgave
- 2 Montage
- 3 Aansluiten
- 4 Installatie-mogelijkheden
- 5 Aansluiten trekschakelaar
- 6 Fabrieksinstelling
- 7 Instellen functies

10 Geavanceerde functies

- Keuze van vochtgevoeligheid
- Pauzefunctie met momentschakelaar

12 Led - indicatie

13 Onderhoud

15 Garantie

15 Recycling

16 Accessoires

17 Technische gegevens

18 Gids voor het opsporen van storingen

NL

Beschrijving functies

- **Volautomatische vochtregeling**

Fresh Intellivent is voorzien van een volautomatische vochtregeling, wat inhoudt dat de ventilator leert om alleen in bedrijf te zijn als dat zin heeft.

- **Tijdsregeling**

Instelbare nalooptijd - 5, 15 of 30 minuten.

- **Toerenregeling**

De geïntegreerde toerentalregeling maakt dat u het geluidsniveau en de capaciteit naar eigen wens kunt regelen.

- **Continu bedrijf**

Laat de ventilator continu lopen als u een basisventilatie in uw woning nodig heeft.

Elimineert ook het risico van koudeval bij wandmontage.

- **Beluchtingsfunctie**

Wanneer de ventilator 26 uur inactief geweest is, voert deze functie een 60 minuten lang beluchtingsprogramma uit.

- **Pauzefunctie**

De ventilator kan met de trekschakelaar een uur gepauzeerd worden.

- **Alpolige schakelaar**

De ventilator is voorzien van een alpolige schakelaar, wat inhoudt dat er geen externe schakelaar nodig is.

- **Led-indicatie**

Een lichtdiode met drie verschillende kleuren geeft aan welke functie de ventilator op dat moment heeft.

- **12-volt motor**

De motor is van het longlife type en heeft een levensduur van ca. 60.000 uur. Dit type motor zorgt bovendien voor stil bedrijf.

INSTALLATIEGIDS

1 Inhoudsopgave

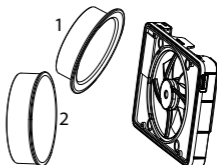
De verpakking moet het volgende bevatten:

- Ventilator
- 2 verloopringen, een van $\text{Ø}98$ mm en een van $\text{Ø}118$ mm
- Handleiding
- Zakje met accessoires met 4 st schroeven en pluggen, trekkoord met knop en isolatie voor de FK-kabel.

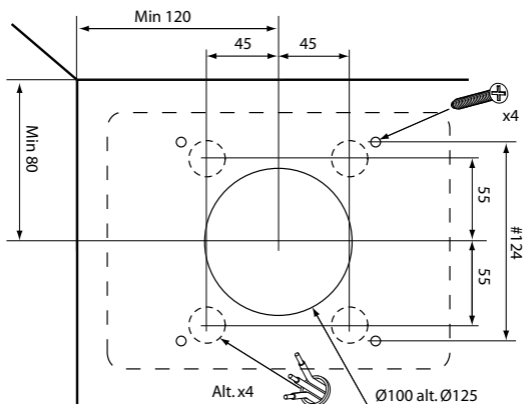
2 Montage

De ventilator kan aan een muur of op een plafond gemonteerd worden. Zie onderstaande afbeelding voor montage-afmetingen. De ventilator mag niet worden gemonteerd in een omgeving waar de temperatuur hoger is dan 50° Celsius. Monteer de geschikte verloopring op het frame van de ventilator, $\text{Ø}98$ (1) voor $\text{Ø}100$ -luchtkanaal of $\text{Ø}118$ (2) voor $\text{Ø}125$ -luchtkanaal.

De ventilator kan ook zonder verloopring worden gemonteerd en gebruikt, als een complete opbouw, bijv. bij een luchtkanaal kleiner dan $\text{Ø}98$.



Bij montage moet u ervoor zorgen dat er afdichting zit tussen pijp/kanaal en wand/plafond om te voorkomen dat er vochtige lucht/condens in de wand of het plafond komt. Gebruik de meegeleverde schroeven en pluggen als dat nodig is.



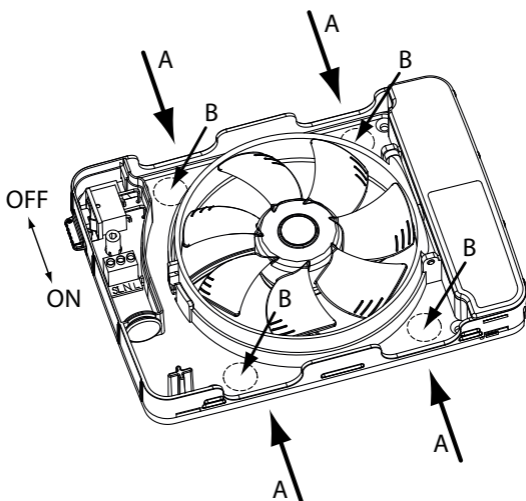
3 Aansluiten

- Installatie moet door een erkend elektricien worden uitgevoerd.
 - De ventilator is dubbel geïsoleerd en moet niet geaard worden.
 - De ventilator is voorzien van een alpolige schakelaar en hoeft dus geen externe alpolige schakelaar te hebben.
- 1 Druk de alpolige schakelaar naar de uit-stand 0 - OFF.
 - 2 Installeer de kabel hetzij opliggend door de ingangen A in het frame of verborgen door de ingangen B in het frame. Zie voor beide hieronder. Gebruik de meegeleverde isolatiehuls voor de FK-kabel.
 - 3 Als u een van de ingangen B gebruikt, dient u het ronde verborgen plastic deksel te verwijderen door met een schroevendraaier van binnenuit te kloppen aan de binnenkant van de breuklijnen. U drukt het deksel er naar de achterkant uit.

Kabelingangen

A=opliggend

B=verborgen



4 Installatie-mogelijkheden

De ventilator kan op drie manieren worden geïnstalleerd, afhankelijk van de gewenste functie, zie hieronder:

1 Alleen vochtregeling, zie schema 1

De ventilator wordt aangesloten met een fase (L) en nul (N), voor automatische vochtregeling.

De timer kan met de hand worden geactiveerd door een trekkoord te monteren en daar aan te trekken (zie bladzijde 8).

2 Vochtregeling + tijdsregeling met lampschakelaar, zie schema 2

De ventilator wordt aangesloten met één fase (L) en nul (N) voor automatische vochtregeling.

De schakeldraad (SL) wordt aangesloten om de tijdsregeling van de ventilator te activeren, d.w.z. wanneer het licht in de badkamer aangaat, staat er stroom op de schakeldraad. Dit alternatief geeft een vertraagde start van 90 seconden.

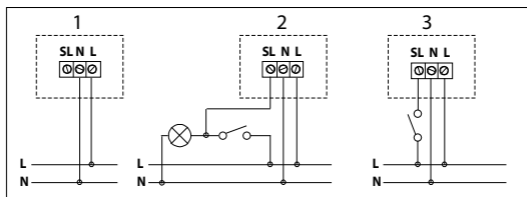
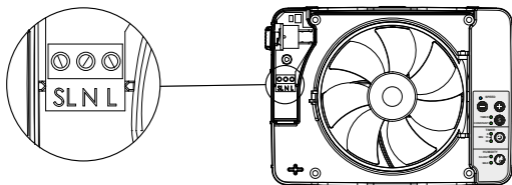
3 Vochtregeling + tijdsregeling met terugverende schakelaar, zie schema 3

De ventilator wordt aangesloten met één fase (L) en nul (N) voor automatische vochtregeling.

De stuurfase (SL) wordt aangesloten om de tijdsregeling van de ventilator te activeren met een terugverende

NL

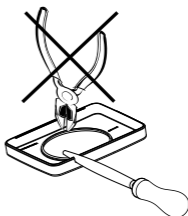
Aansluitschema's



NB!

Gebruik een normale ronde vijl om op een geschikte plek een mooi gat in de frontplaat te vijlen.

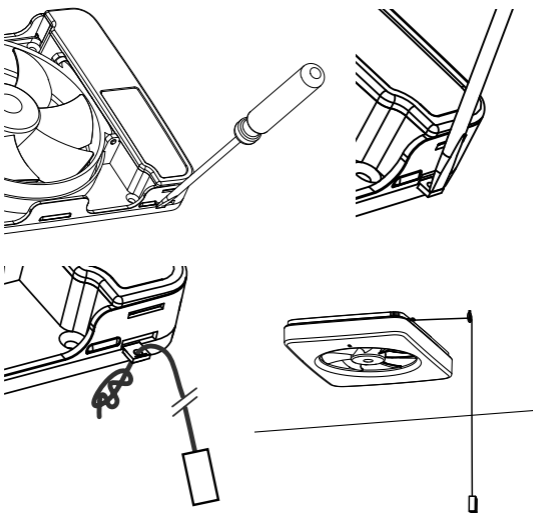
Gebruik **GEEN** tang of iets dergelijks, dan bestaat het risico dat de plaat barsten krijgt.



5 Aansluiten trekschakelaar

Er kan een trekschakelaar gemonteerd worden om de tijdsregeling handmatig te activeren of de ventilator te pauzeren.

Wrik de montageplaat weg met behulp van bijv. een schroevendraaier en monteer het meegeleverde koord in het gat.



- Als de installatie gereed is, drukt u de veiligheidsschakelaar omlaag naar stand I – ON, om de ventilator weer te activeren.

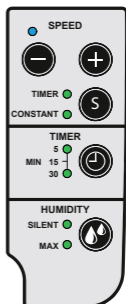
Wanneer de ventilator op de stroom wordt aangesloten, voert hij een zelftest uit om de elektronica, leds en functie van de motor te testen. De ventilator is nu klaar voor gebruik.

6 Fabrieksinstelling

- timer - 5 minuten
- vochtsnelheid - silent (70% van max.)
- timersnelheid - 70% van max.
- continu bedrijf - uit

Resetten naar fabrieksinstelling

Hou de S-knop ten minste 5 seconden ingedrukt.



NL

7 Instellen functies

Eventuele aanpassing aan uw wensen:

1. Instelling van toerental voor bedrijf met timer.

Druk op de S-knop tot de lamp voor de timer brandt. Kies de snelheid met de SPEED-toetsen.

Ga terug naar het in de fabriek ingestelde timertoerental door de beide SPEED-toetsen tegelijkertijd in te drukken.

2. Nalooptijd

Stel de timer in op 5, 15 of 30 minuten.

3. Vochtstand/humidity

Stel in op stil (silent) of max. capaciteit - kleine of grote badkamer.

4. Continu bedrijf

Druk op de S-knop tot de lamp voor "CONSTANT" brandt. Kies het toerental met de SPEED-toetsen.

Om continu bedrijf te deactiveren; druk op de S-knop tot de lamp "CONSTANT" uitgaat.

GEAVANCEERDE FUNCTIES

Keuze van vochtgevoeligheid

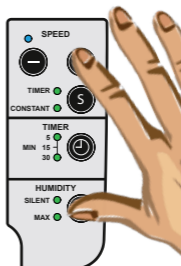
Het klimaat is in iedere badkamer anders, afhankelijk van afmetingen, natuurlijke ventilatie, temperatuur enz. Dit kan de vochtigheidsrespons van de ventilator beïnvloeden; deze kan bijvoorbeeld te snel starten of na een te lange tijd.

Fabrieksinstelling is stand 2: normale vochtrespons, wat in de meeste gevallen het beste functioneert.

U kunt er ook voor kiezen om de vochtfunctie geheel uit te zetten.

1) Druk tegelijkertijd op de knoppen speed + en humidity mode (blauwe en gele led knipperen snel).

Druk op de knop humidity mode totdat de gewenste vochtgevoeligheidsstand gekozen is.



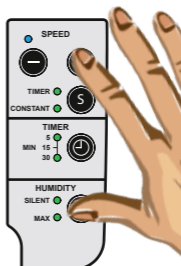
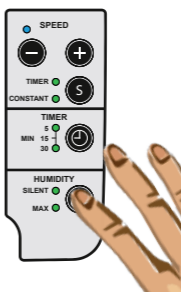
Stand 1: de led voor silent brandt, – snelle vochtigheidsrespons.

Stand 2: de led voor max brandt, – normale vochtigheidsrespons.

Stand 3: De leds voor silent en max branden tegelijkertijd, – langzame vochtigheidsrespons.

Stand 4: Geen van de leeds voor silent en max branden, – de vochtregeling is niet geactiveerd.

2) Druk tegelijkertijd op de knoppen speed + en humidity mode (blauwe en gele led stoppen met knipperen).



2. Pauzefunctie met momentschakelaar.

U kunt de ventilator gedurende een uur pauzeren met een externe momentschakelaar. Deze kan worden aangesloten volgens schema 3 op bladzijde 7.

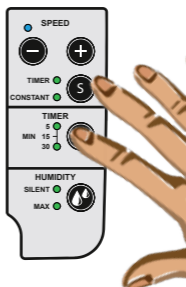
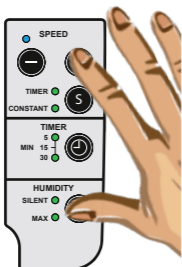
Wanneer men deze functie heeft gekozen is het niet mogelijk de functie vertraagde start te gebruiken via het schakeldraad (verlichting) dat is aangesloten op SL.

Activeren

- 1) Druk tegelijkertijd op de knoppen speed + en humidity mode (blauwe en gele led knipperen snel).
- 2 Druk op de timerknop en houd deze 5 seconden ingedrukt tot de lichtdiode voor 5 minuten brandt.
- 3 Druk tegelijkertijd op de knoppen speed + en humidity mode (blauwe en gele led stoppen met knipperen).

Deactiveren

- 1 Druk tegelijkertijd op de knoppen speed + en humidity mode (blauwe en gele led knipperen snel).
- 2 Druk op de timerknop en houd deze 5 seconden ingedrukt tot er geen lichtdiode voor timernaloop meer brandt.
- 3 Druk tegelijkertijd op de knoppen speed + en humidity mode (blauwe en gele led stoppen met knipperen).



LICHTDIODE

Lichtdioden - wat is de ventilator aan het doen?

Fresh Intellivent is voorzien van een lichtdioden met drie verschillende kleuren, geel, blauw en paars.

Deze drie kleuren vertellen de gebruiker wat de ventilator doet en welke functie op dat moment de motor regelt.

- **Er brandt geen led**
De ventilator staat uit of werkt continu.
- **De blauwe lichtdioden brandt**
De ventilator is geactiveerd - de vochtsensor heeft een verhoogd vochtgehalte in de ruimte ontdekt.
- **Blauwe knipperende lichtdioden**
De ventilator is geactiveerd - de vochtsensor geeft aan dat de referentiewaarde voor het vocht in de ruimte kan dalen.
- **De gele lichtdioden brandt**
De ventilator loopt - de tijdsregeling is geactiveerd.
- **Gele knipperende lichtdioden**
Tijdsregeling met vertraagde start geactiveerd door de verlichtingsschakelaar.
De lichtdioden knippen gedurende 1,5 min. voordat de ventilator start.
- **De paarse lichtdioden brandt**
De ventilator loopt - de beluchtingsfunctie is geactiveerd.
- **De gele en blauwe lichtdioden knipperen om en om langzaam**
De pauzefunctie is geactiveerd.
- **De gele en blauwe lichtdioden knipperen om en om snel**
De programmeerstand is geactiveerd.

ONDERHOUD

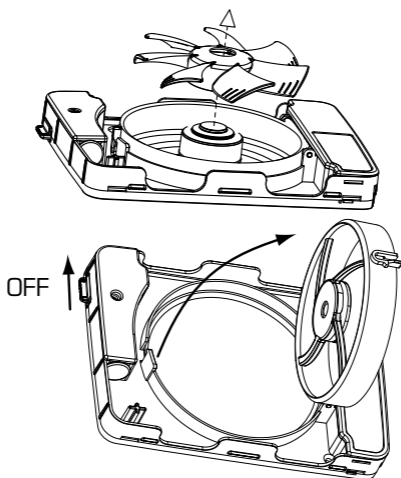
Fresh Intellivent is geconstrueerd om jarenlang efficiënt te kunnen werken. Om de ventilator op de juiste wijze te laten functioneren, is het nodig om hem regelmatig schoon te maken. Het interval wordt bepaald door hoe veel de ventilator draait en de luchtkwaliteit.

Maak de ventilator ten minste twee keer per jaar of naar behoefte schoon.

Maak de ventilator spanningsloos door de alpolige schakelaar omhoog te drukken naar stand O - OFF.

De ventilator heeft een afneembare propeller. Druk met uw duim in het midden, pak de ventilatorschoepen en trek de propeller eraf. U kunt ook heel goed de "swing out" - functie van de ventilator gebruiken om makkelijk bij het luchtkanaal te kunnen. Druk op de kliksluiting van de motorring en klap de motor/propeller naar buiten.

NL



Maak het luchtkanaal/leiding schoon als er een vieze laag op zit. Anders bestaat het risico dat de capaciteit verslechtert.

Maak vooral de schoepen van de propeller schoon als er een vieze laag op zit. Anders bestaat het risico van onbalans en daardoor van een hoger geluidsniveau en een afgenomen levensduur van de kogellagers van de motor.

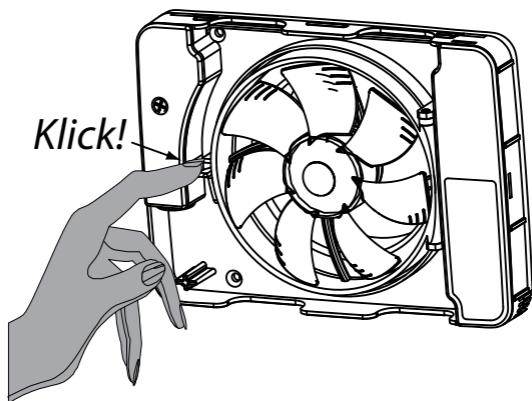
De propeller van de ventilator wordt schoongemaakt met een borstel of een kwast. Het makkelijkste is een afwasborstel en een sopje van mild afwasmiddel. Droog de propeller na het schoonmaken af. Het frontplaatje van de ventilator wordt schoongemaakt met een met water bevochtigd doekje en eventueel een sopje met milde zeep.

NB! Gebruik nooit oplosmiddel of iets dergelijks op een onderdeel van de ventilator, dat zou de plastic delen van de ventilator kunnen beschadigen!

Laat de ventilator nooit onder water zakken, dan bestaat het risico van beschadiging aan de motor van de ventilator.

Na het schoonmaken klapt u de motorring weer terug. Zet hem vast door de kliksluiting vast te klikken. Plaats de propeller terug, druk tot hij vast klikt. Zet de alpolige schakelaar weer aan door de hendel naar beneden op stand 1 - AAN te zetten.

Als het onderhoud van de ventilator niet wordt nageleefd zoals hierboven beschreven, geldt de garantie op het product niet.



GARANTIE

Wij geven **5 jaar garantie** op fabrieksfouten.



Om de garantie te laten gelden moet een aankoopbewijs worden overlegd en moet de ventilator:

- gemonteerd en geïnstalleerd zijn volgens de installatiegids in deze handleiding
- onderhouden zijn volgens de onderhoudsinstructies in deze handleiding
- gemonteerd zijn in een normale woonomgeving
- aangesloten zijn met spanning 100-240 V AC
- niet blootgesteld zijn geweest aan blikseminslag of abnormale stroompieken
- niet blootgesteld zijn geweest aan beschadigingen
- geïnstalleerd zijn volgens IP-klasse 44.
- niet gemonteerd zijn in een omgeving waar de temperatuur hoger is dan 50° Celsius.

NL

Reclamaties over het product richt u aan de zaak waar u het gekocht heeft.

RECYCLING

Het product is gemerkt met het WEEE-symbool, dat aangeeft dat het niet mag worden weggegooid met het normale huisvuil, maar op een geschikt recyclingstation in de desbetreffende gemeente moet worden ingeleverd.

Fresh AB is aangesloten bij het landelijke systeem voor recycling in Zweden, conform de Europese WEEE richtlijn.

Voor meer informatie zie www.fresh.eu



ACCESSOIRES

Voor de Fresh Intellivent is een aantal accessoires verkrijgbaar, waarmee u als gebruiker een zo flexibele en mooi mogelijke installatie kunt krijgen. Hieronder volgen enkele voorbeelden.

Leidingen

voor grootte

100 en 125



Afdekplaat

190 x 240 mm

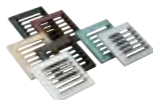
wit en zwart



Plastic rooster

voor grootte

100 en 125



Metalen rooster

voor grootte

100 en 125



Bescherming tegen koudeval

voor grootte

100 en 125



YVG100 en 125

Doorvoer moet

koudevalbescherming.




Om een compleet fungerende ventilatie te krijgen, moet u ervoor zorgen dat er voldoende lucht in de badkamer kan komen. Dat lost u op door een gat te maken aan de onderkant van de deur of door een toevoerklep te monteren in de deur of de muur.

Het is ook belangrijk om frisse lucht in het huis te krijgen, die vervolgens in o.a. badkamer en wasruimte wordt weggevoerd.

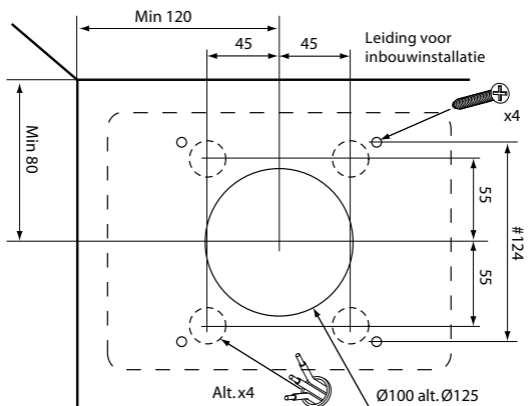
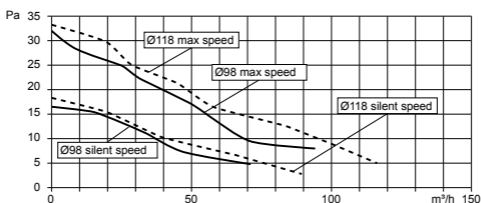
Voor dat doel is het heel goed om buitenluchtkleppen in slaapkamer en huiskamer te monteren.

TECHNISCHE GEGEVENS

Maximum capaciteit	134 m ³ /u		
Geluidsdruk niveau 3m (Silent mode)	21 dB(A)		
Energieverbruik	2,1 - 5,5 W		
Inbouwmaten in wand	0 - 30 mm		
Te maken gaten	105 - 130 mm		
Materiaal	ABS plastic		
Beschermingsklasse	IP44		
Isolatieklasse	□		
Spanning	100-240 V		
Frequentie	50-60 Hz		
Certificaat			
Afmetingen kanaal	Max/Silent	Capaciteit (vrije uitlaat)	Geluids- druk niveau 3 m
Ø 98	Max	107 m ³ /h	28 dB(A)
Ø 98	Silent	74 m ³ /h	21 dB(A)
Ø 98	Constant	42 m ³ /h	12 dB(A)
Ø 118	Max	134 m ³ /h	29 dB(A)
Ø 118	Silent	86 m ³ /h	21 dB(A)
Ø 118	Constant	55 m ³ /h	13 dB(A)

NL

Capaciteit



GIDS VOOR HET OPSPOREN VAN STORINGEN

De ventilator start niet

De ventilator is net geïnstalleerd en is nooit in bedrijf geweest:

Controleer of het ventilatorwiel vrij loopt.

Controleer de stand van de veiligheidsschakelaar.
Die moet op stand I - ON staan.

Maak de ventilator stroomloos - zet de veiligheidsschakelaar op stand 0 - OFF en vervolgens weer terug naar stand I - ON.

Controleer of er spanning op aansluitklem L staat
(alleen elektriciens).

Controleer of de nul goed is aangesloten door de spanning over L - N te meten *(alleen elektriciens).*

De ventilator is enige tijd gebruikt:

Controleer of het ventilatorwiel vrij loopt.

Maak de ventilator stroomloos - zet de veiligheidsschakelaar op stand 0 - OFF en vervolgens weer terug naar stand I - ON.
Laat de ventilator ca. 3 seconden uit staan voor u hem weer aan zet.

De ventilator is schoongemaakt

Controleer of het ventilatorwiel vrij loopt.

Controleer de stand van de veiligheidsschakelaar.
Die moet op stand I - ON staan.

De ventilator blijft draaien

De blauwe ledlamp brandt continu

(Als de ventilator ten minste een etmaal constant heeft gedraaid)

Controleer de functie door de badkamerdeur te openen en deze ten minste een half uur open te laten staan om het vocht te nivelleren.

Maak de ventilator stroomloos - zet de veiligheidsschakelaar op stand 0 - OFF en vervolgens weer terug naar stand I - ON.

De gele led brandt continu

Als de ventilator is aangesloten op een externe schakelaar voor de timerfunctie, zet deze dan uit en wacht ten minste 30 minuten.

Maak de ventilator stroomloos - zet dex veiligheidsschakelaar op stand 0 - OFF en vervolgens weer terug naar stand I - ON.

Er brandt geen enkele ledlamp

Dit is geheel normaal als de ventilator is ingesteld op continu bedrijf. In die stand brandt er geen ledlamp.

Als de ventilator niet is ingesteld op continu bedrijf, maak de ventilator stroomloos - zet de veiligheidsschakelaar op stand 0 - OFF en vervolgens weer terug naar stand I - ON.

NL

Overige storingen

De ventilator stopt wanneer de verlichting uitgaat. De ventilator is verkeerd geïnstalleerd. Klem L op de aansluitklem moet altijd directe fase hebben.

Neem contact op met uw elektricien.

De ventilator stopt wanneer de verlichting aangaat.

De ventilator is vermoedelijk geprogrammeerd voor een pauze met een momentschakelaar. Zie blz. 11 voor omprogrammeren.

De ventilator werkt niet volgens de beschrijving

Haal de frontplaat weg en haal de stroom van de ventilator door de veiligheidsschakelaar op stand 0 te zetten en vervolgens terug op stand I aan.

Als de ventilator nog steeds niet werkt volgens de beschrijving in deze handleiding, moet u contact opnemen met de dealer of Fresh per e-mail: intellivent@fresh.se

Gracias por elegir este producto de Fresh.
Antes de instalar y usar el ventilador, lea este manual de instrucciones. Guarde el manual para utilizarlo en el futuro como referencia.

¡Información de seguridad!

Los niños a partir de 8 años de edad, así como las personas con las facultades físicas, sensoriales o mentales limitadas, o que no tengan la experiencia o los conocimientos necesarios, podrán utilizar este equipo bajo supervisión o si reciben las suficientes instrucciones sobre cómo utilizarlo con seguridad y han entendido los riesgos que implica. Los niños no deben jugar con este equipo. Las tareas de limpieza y mantenimiento no deberán realizarlas niños sin supervisión.

CONTENIDO

4 Descripción de funciones

5 Guía de instalación

1 Contenido

2 Montaje

3 Conexión

4 Opciones de instalación

5 Conexión del interruptor de cordón

6 Ajuste de fábrica

7 Ajuste de funciones

10 Funciones avanzadas

- Elección de modo de sensibilidad de humedad
- Activación de la función de pausa con interruptor instantáneo

12 Indicación LED

13 Mantenimiento

15 Garantía

15 Reciclado

16 Accesorios

17 Datos técnicos

18 Guía de localización y reparación de averías

ES

DESCRIPCIÓN DE FUNCIONES

- **Automatismo de control de humedad**
Fresh Intellivent está equipado con un control de humedad totalmente automático, con el que el ventilador aprende a funcionar solamente cuando es necesario.
- **Temporización**
Tiempo de posfuncionamiento elegible: 5, 15 ó 30 minutos.
- **Regulación de velocidad**
La regulación de velocidad integrada permite ajustar el nivel sonoro y la capacidad según se necesite.
- **Funcionamiento continuo**
Dejar que el ventilador funcione continuamente si se necesita ventilación básica en la vivienda. También elimina el riesgo de puente frío en el montaje en pared.
- **Función de aireación**
Si el ventilador ha estado inactivo durante 26 horas, hacerlo funcionar con programa de aireación durante 60 minutos.
- **Función de pausa**
El ventilador se puede poner en pausa de una hora con el interruptor de cordón.
- **Interruptor omnipolar**
El ventilador está equipado con un interruptor omnipolar, por lo que no es necesario un interruptor externo.
- **Indicación LED**
Un diodo luminiscente de tres colores muestra la función que tiene en cada momento el ventilador.
- **Motor de 12 V**
El motor es de larga durabilidad y tiene una vida útil de aproximadamente 60.000 horas. Además, este tipo de motor es de funcionamiento silencioso.

GUÍA DE INSTALACIÓN

1 Contenido

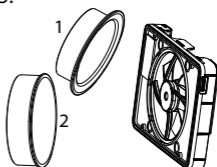
Contenido que debe tener el embalaje:

- Ventilador
- 2 bocas de empalme, una de $\varnothing 98$ mm y una de $\varnothing 118$ mm
- Manual de instrucciones
- Bolsa de accesorios con 4 tornillos y tacos, cordón de tiro con perilla y aislamiento para cable FK

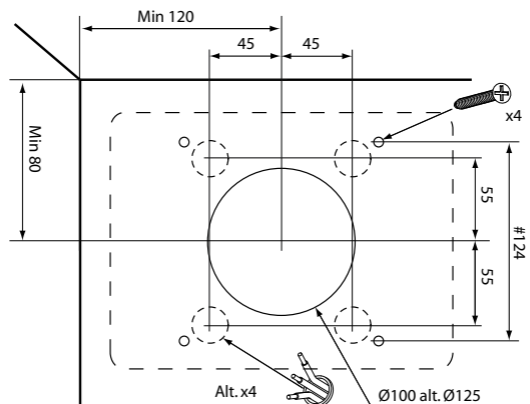
2 Montaje

El ventilador se monta en pared o en techo. Ver la imagen abajo para las dimensiones de montaje. El ventilador no debe montarse en entornos con temperatura superior a 50°C . Montar, una boca de empalme adecuada en el chasis del ventilador, de $\varnothing 98$ (1) para el canal de $\varnothing 100$ o de $\varnothing 118$ (2) para el canal de $\varnothing 125$.

El ventilador también puede montarse y usarse sin bocas de empalme, totalmente en el exterior; por ejemplo, en un canal de \varnothing inferior a 98.



Al montar, comprobar que hay junta entre el tubo/canal y la pared/techo para impedir la entrada de aire húmedo/condensación en la pared o el techo. Utilizar los tornillos y tacos suministrados si es adecuado.



ES

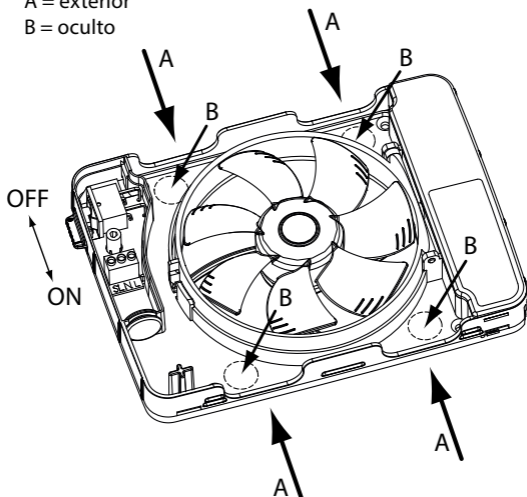
3 Conexión

- La instalación debe ser realizada por un electricista autorizado.
 - El ventilador tiene doble aislamiento y no debe conectarse a tierra.
 - El ventilador está equipado con un interruptor omnipolar y no es necesario que esté precedido de un interruptor externo.
- 1 Presionar el interruptor omnipolar hacia arriba, hasta la posición de desactivación 0 - OFF.
 - 2 Instalar el cable, bien exteriormente a través de las entradas A del chasis como abajo, u oculto a través de las entradas B del chasis como abajo. Usar el casquillo aislante suministrado para el cable FK.
 - 3 Si se utiliza alguna de las entradas B, quitar la tapa de plástico redonda oculta, golpeando dentro de la indicación de rotura, desde el interior hacia la parte trasera, usando, por ejemplo, un destornillador

Entradas de cables

A = exterior

B = oculto



4 Opciones de instalación

El ventilador se puede instalar de tres formas diferentes, según la función deseada, como sigue:

1 Solamente control de humedad; esquema 1

El ventilador se conecta con fase constante (L) y neutro (N) para control de humedad automático.

El temporizador se puede activar manualmente, montando un cordón de tiro y tirando del mismo (ver la página 8).

2 Control de humedad + temporización con interruptor de lámpara; esquema 2

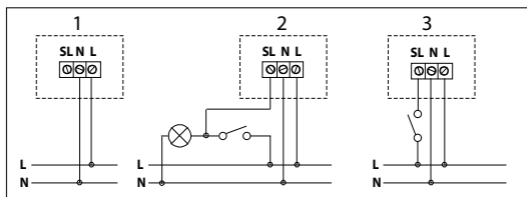
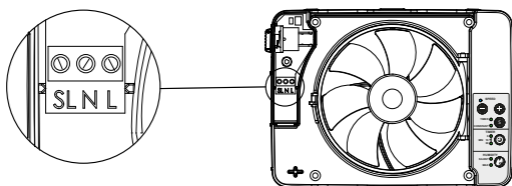
El ventilador se conecta con fase constante (L) y neutro (N) para control de humedad automático. El hilo de encendido (SL) se conecta para activar la temporización del ventilador; es decir, que el hilo de encendido se energiza cuando se enciende la lámpara del baño. Esta opción proporciona un retardo de arranque del ventilador de 90 segundos.

ES

3 Control de humedad + temporización con interruptor de retorno automático; esquema 3

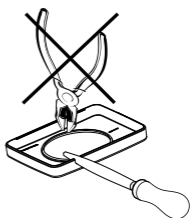
El ventilador se conecta con fase constante (L) y neutro (N) para control de humedad automático. La fase de encendido (SL) se conecta para activar la temporización del ventilador con interruptor de retorno automático. Esta opción arranca el ventilador directamente.

Esquemas de conexiones



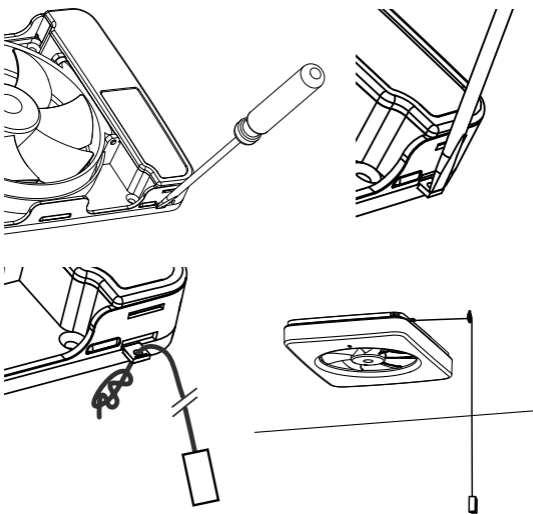
¡ATENCIÓN!

Hacer una escotadura bien acabada en un sitio adecuado de la tapa delantera, usando una lima redonda común. NO usar alicates ni herramientas similares, porque podría agrietarse la tapa.



5 Conexión del interruptor de cordón

Se puede montar un cordón de tiro para activar la temporización manualmente o pausar el ventilador. Quitar la placa de montaje apalancando con, por ejemplo, un destornillador y montar el cordón suministrado en el agujero.



- Al terminar la instalación, presionar el interruptor de seguridad hacia abajo, hasta la posición I – ON, para activar de nuevo el ventilador.

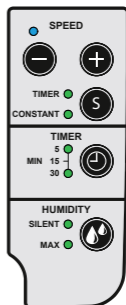
Cuando el ventilador se ha conectado al suministro eléctrico, realiza una prueba de autoverificación para probar la electrónica, las lámparas LED y el funcionamiento del motor. Ahora el ventilador está listo para usar.

6 Ajuste de fábrica

- temporizador - 5 minutos
- velocidad de modo de humedad - silencioso (70% de máx.)
- velocidad de temporizador - 70% de máx.
- funcionamiento continuo - desactivado

Restablecimiento del ajuste de fábrica

Mantener pulsado el botón S durante 5 segundos como mínimo.



7 Ajuste de funciones

Eventual adaptación particularizada:

1. Ajuste de velocidad para funcionamiento con temporizador.

Pulsar el botón S hasta que se encienda la lámpara de temporizador.

Elegir la velocidad con las teclas SPEED.

Retornar a la velocidad de temporizador ajustada en fábrica, pulsando simultáneamente ambas teclas SPEED.

2. Tiempo de posfuncionamiento

Ajustar el temporizador a 5, 15 ó 30 minutos.

3. Modo de humedad / "humidity"

Ajustar silencioso (silent) o capacidad máxima - cuarto de baño pequeño o grande.

4. Funcionamiento constante

Pulsar el botón S hasta que se encienda la lámpara de "CONSTANT". Elegir la velocidad con las teclas SPEED.

Desactivación del funcionamiento constante: pulsar el botón S hasta que se apague la lámpara de "CONSTANT".

ES

FUNCIONES AVANZADAS

Elección del modo de sensibilidad a la humedad

El cuarto de baño puede tener diferentes climas según el tamaño, la regulación natural (si procede), la temperatura, etc. Esto puede afectar la respuesta a la humedad del ventilador, ya sea si se percibe que arranca muy rápido o después de un tiempo demasiado largo.

El ajuste de fábrica es el modo 2: respuesta de humedad normal, que en la mayoría de casos funciona mejor.

También es posible elegir desactivar totalmente la función de humedad.

1) Pulsar simultáneamente los botones "speed +" y "humidity mode" (el diodo luminoso azul y amarillo destella rápidamente).

Pulsar el botón "humidity mode" hasta elegir el modo de sensibilidad a la humedad adecuado.

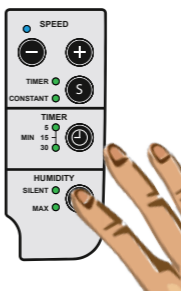
Modo 1: se enciende el diodo luminoso para "silent"; respuesta a la humedad rápida.

Modo 2: se enciende el diodo luminoso para "max"; respuesta a la humedad normal.

Modo 3: Se encienden simultáneamente los diodos luminosos para "silent" y "max"; respuesta a la humedad lenta.

Modo 4: No se enciende ninguno de los diodos luminosos para "silent" y "max"; control de humedad desactivado.

2) Pulsar simultáneamente los botones "speed +" y "humidity mode" (la lámpara azul y amarilla deja de destellar).



2. Función de pausa con interruptor instantáneo.

El ventilador se puede poner en pausa de una hora con un interruptor instantáneo externo. Este interruptor se conecta según el esquema 3 de la página 7.

Cuando se ha elegido esta función, no es posible usar la función de retardo de arranque con el hilo de encendido (iluminación) conectado a SL.

Activación

1 Pulsar simultáneamente los botones "speed +
" y "humidity mode"
(el diodo luminiscente azul y amarillo destella rápidamente).

2 Mantener pulsado el botón del temporizador durante 5 segundos hasta que se encienda el diodo luminiscente para 5 minutos.

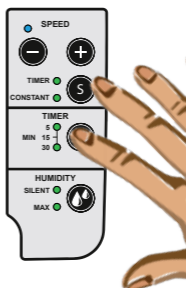
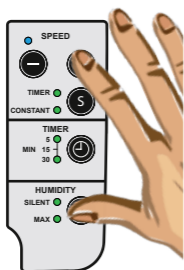
3 Pulsar simultáneamente los botones "speed +
" y "humidity mode"
(la lámpara azul y amarilla deja de destellar).

Desactivación

1 Pulsar simultáneamente los botones "speed +
" y "humidity mode"
(el diodo luminiscente azul y amarillo destella rápidamente).

2 Mantener pulsado el botón del temporizador durante 5 segundos, hasta que no esté encendido ningún diodo luminiscente para posfuncionamiento del temporizador.

3 Pulsar simultáneamente los botones "speed +
" y "humidity mode"
(la lámpara azul y amarilla deja de destellar).



ES

INDICACIÓN LED

Diodo luminiscente - ¿Qué hace el ventilador?

Fresh Intellivent tiene un diodo luminiscente con tres colores diferentes: amarillo, azul y lila.

Estos tres colores le indican al usuario lo que hace el ventilador y la función que por el momento controla el motor.

- **Ningún diodo luminiscente encendido:**
Ventilador parado o funcionando constantemente.
- **Diodo luminiscente azul encendido:**
Ventilador activado; el sensor de humedad ha detectado aumento del contenido de humedad en el cuarto.
- **Diodo luminiscente azul destellante:**
Ventilador activado; el sensor de humedad ha detectado que puede reducir la humedad en el cuarto.
- **Diodo luminiscente amarillo encendido:**
Ventilador activado; temporización activada.
- **Diodo luminiscente amarillo destellante:**
Temporización con retardo de arranque activada por el interruptor de iluminación.
El diodo luminiscente destella durante 1,5 minutos antes de que el ventilador arranque.
- **Diodo luminiscente lila encendido:**
Ventilador activado; función de aireación activada.
- **Diodos luminiscentes amarillo y azul destellan lentamente, alternando:**
Función de pausa activada.
- **Diodos luminiscentes amarillo y azul destellan rápidamente, alternando:**
Modo de programación activado.

MANTENIMIENTO

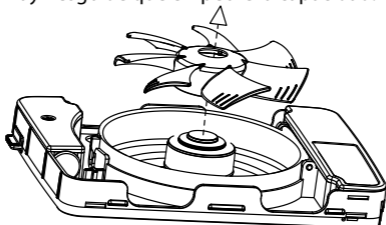
Fresh Intellivent está diseñado para trabajar eficazmente durante muchos años. Sin embargo, para que el ventilador funcione correctamente es necesario limpiarlo a intervalos regulares. El intervalo depende de cuanto funciona el ventilador y de la calidad del aire.

Limpiar el ventilador por lo menos dos veces al año o cuando sea necesario. Cortar la corriente del ventilador presionando el interruptor omnipolar hacia arriba, hasta la posición O - OFF.

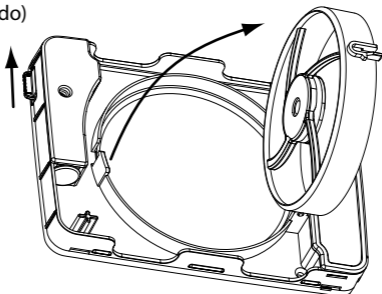
La hélice del ventilador es desmontable. Presionar con el pulgar en el centro, agarrar las aletas del ventilador y quitar la hélice. Se recomienda usar la función "swing-out" (giroafuera) para tener paso libre hacia el canal. Presionar la fijación rápida del aro del motor y apartar el motor/la hélice.

ES

Limpiar el canal/el tubo si hay suciedad adherida. De no hacerlo hay riesgo de que empeore la capacidad.



OFF
(desactivado)



Limpiar especialmente las palas de la hélice si tienen suciedad adherida. De no hacerlo hay riesgo de desequilibrio y consiguiente aumento del nivel sonoro y reducción de la durabilidad de los rodamientos de bolas del motor.

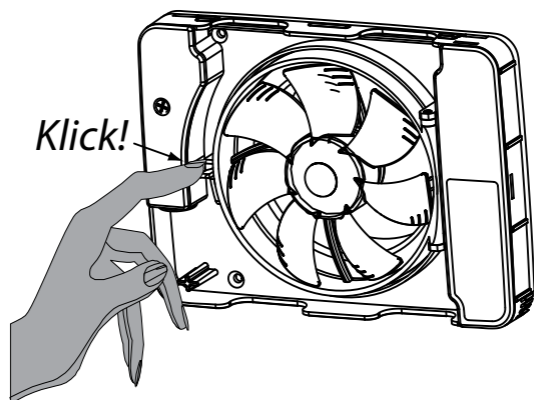
Para limpiar la hélice del ventilador, usar un cepillo o un pincel. La limpieza es más fácil con un cepillo para vajillas y una solución suave de detergente lavavajillas. Secar la hélice después de limpiarla. Para limpiar la tapa del ventilador usar un paño de limpieza humedecido con agua y posiblemente una solución jabonosa.

¡ATENCIÓN! ¡Nunca usar disolventes o similares en ninguna parte del ventilador, debido al riesgo de dañar piezas de plástico del mismo!

Nunca sumergir el ventilador completamente en agua, debido al riesgo de averías en el motor del ventilador.

Después de limpiar, bajar el aro del motor y fijarlo con la fijación rápida. Montar la hélice, presionando hasta que se fije y suene un chasquido. Conectar de nuevo el interruptor omnipolar, moviéndolo hacia abajo hasta la posición 1 - ON.

Si no se siguen las instrucciones de mantenimiento del ventilador anteriores, se invalida la garantía del producto.



GARANTÍA

Concedemos **una garantía de 5 años** contra fallos de fabricación.



Para que rija la garantía se requiere presentar el certificado de compra y que el ventilador:

- esté montado e instalado según la guía de instalación de este manual
- haya sido mantenido según las instrucciones de mantenimiento de este manual
- esté montado en un entorno de vivienda normal
- esté conectado a una tensión de 100-240 V CA
- no haya sido sometido a rayos ni a crestas de corriente anormales
- no haya sufrido desperfectos
- se haya instalado en zona según la clase IP 44
- no se haya instalado en entornos con temperatura superior a 50 °C.

ES

La reclamación del producto debe hacerse en el punto de compra.

RECICLADO

El producto está marcado con el símbolo de RAEE, indicador de que no debe desecharse entre basuras domésticas, sino que debe reciclarse en un centro de reciclado adecuado del municipio.

La empresa Fresh AB está adscrita al sistema de reciclado nacional de Suecia, de conformidad con la Directiva europea en materia de residuos de aparatos eléctricos y electrónicos, RAEE.

Para más información, visitar www.fresh.eu



ACCESORIOS

Para el ventilador Fresh Intellivent hay diversos accesorios que ayudan al usuario a conseguir una instalación lo más adaptada y elegante posible. A continuación se indican algunos ejemplos de accesorios.

Tubo para los tamaños
100 y 125



Placa cobertora
190 x 240 mm
negro y blanco



Rejilla de plástico
para los tamaños
100 y 125



Rejilla metálica
para los tamaños
100 y 125



Protección contra puente frío
para los tamaños
100 y 125



YVG100/ 125
Paso con protección
contra puente frío.




Para conseguir una ventilación plenamente funcional debe entrar aire suficiente en el cuarto de baño. Esto se consigue bien haciendo una escotadura en el borde inferior de la puerta o montando una válvula de aire superior en la puerta o en una pared.

También es importante que entre aire fresco en la casa, que luego pueda ser evacuado en, por ejemplo, el cuarto de baño y el cuarto de lavar.

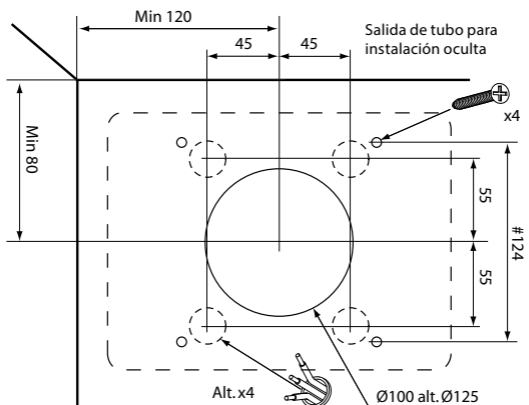
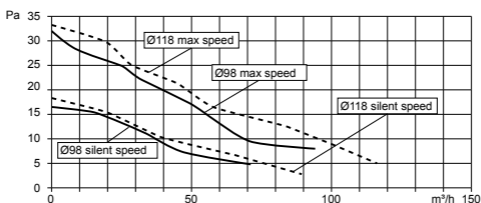
Para ello se recomienda montar válvulas de aire fresco en los dormitorios y el salón.

DATOS TÉCNICOS

Capacidad máxima	134 m ³ /h		
Nivel de presión acústica 3m (modo "Silent")	21 dB(A)		
Consumo de potencia	2,1 - 5,5 W		
Dimensiones de construcción en pared	0 - 30 mm		
Perforación	105 - 130 mm		
Material	ABS plastic		
Clase de encapsulado	IP44		
Clase de aislamiento	□		
Tensión	100-240 V		
Frecuencia	50-60 Hz		
Certificado			
Dimensión de canal	"Max/Silent"	Capacidad (soplado libre)	Nivel de presión acústica 3m
Ø 98	Max	107 m ³ /h	28 dB(A)
Ø 98	Silent	74 m ³ /h	21 dB(A)
Ø 98	Constant	42 m ³ /h	12 dB(A)
Ø 118	Max	134 m ³ /h	29 dB(A)
Ø 118	Silent	86 m ³ /h	21 dB(A)
Ø 118	Constant	55 m ³ /h	13 dB(A)

ES

Capacidad



GUÍA DE LOCALIZACIÓN Y REPARACIÓN DE AVERÍAS

El ventilador no arranca

El ventilador está recientemente instalado y nunca ha funcionado:

Controlar que el rodete del ventilador se mueve libremente. Controlar la posición del interruptor de seguridad. Debe estar en la posición I - ON.

Cortar la corriente del ventilador poniendo el interruptor de seguridad en la posición 0 - OFF y luego de vuelta a la posición I - ON.

Comprobar que hay tensión en la regleta de terminales L (sólo electricista).

Comprobar que el neutro está correctamente conectado, midiendo la tensión en L - N (sólo electricista).

El ventilador se ha usado durante un tiempo:

Controlar que el rodete del ventilador se mueve libremente. Cortar la corriente del ventilador poniendo el interruptor de seguridad en la posición 0 - OFF y luego de vuelta a la posición I - ON.

Dejar el ventilador desconectado durante aproximadamente 3 segundos antes de conectarlo de nuevo.

El ventilador se ha limpiado:

Controlar que el rodete del ventilador se mueve libremente. Controlar la posición del interruptor de seguridad. Debe estar en la posición I - ON.

El ventilador funciona constantemente

La lámpara LED azul está encendida constantemente

(Si el ventilador ha funcionado constantemente durante como mínimo 24 horas.)

Controlar el funcionamiento abriendo la puerta del cuarto de baño y dejándola abierta durante media hora como mínimo para equilibrar la humedad.

Cortar la corriente del ventilador poniendo el interruptor de seguridad en la posición 0 - OFF y luego de vuelta a la posición I - ON.

La lámpara LED amarilla está encendida constantemente

Si el ventilador está conectado a un interruptor externo (para temporización), desconectarlo y esperar 30 minutos como mínimo.

Cortar la corriente del ventilador poniendo el interruptor de seguridad en la posición 0 - OFF y luego de vuelta a la posición I - ON.

No se enciende ninguna lámpara LED

Esto es totalmente normal si el ventilador está ajustado para funcionamiento constante. En este modo no se enciende ninguna lámpara LED.

Si el ventilador no está ajustado para funcionamiento constante, cortar la corriente del ventilador poniendo el interruptor de seguridad en la posición 0 - OFF y luego de vuelta a la posición I - ON.

ES

Otros fallos

El ventilador se para cuando se apaga la iluminación.

El ventilador está mal instalado. El terminal L de la regleta de terminales debe tener siempre fase directa.

Avisar a un electricista.

El ventilador se para cuando se enciende la iluminación.

El ventilador está probablemente programado para pausa en interruptor momentáneo. Para la desprogramación, ver las páginas 11.

El ventilador no funciona según la descripción

Quitar la tapa y cortar la corriente del ventilador poniendo el interruptor de seguridad en la posición 0 y luego de vuelta a la posición I, conexión/activación.

Si el ventilador sigue sin funcionar según la descripción de este manual, contactar con un distribuidor o con Fresh al correo electrónico: intellivent@fresh.se.

Grazie per aver scelto questo prodotto di Fresh.
Prima di installare e utilizzare il ventilatore,
leggere questo manuale / istruzioni.
Conservare poi questa pubblicazione

Informazioni importanti per la sicurezza!

Bambini di età superiore a 8 anni nonché persone con limitate capacità fisiche, sensoriali o mentali o che non dispongano dell'esperienza o delle conoscenze necessarie non devono utilizzare questo apparecchio, a meno che l'uso non avvenga sotto la supervisione di una persona responsabile della loro sicurezza o che impartisca loro istruzioni su come utilizzare l'apparecchio e li informi dei possibili rischi.

I bambini non devono giocare con l'apparecchio. Pulizia e manutenzione non devono essere effettuate da bambini senza la supervisione di un adulto.

CONTENUTI

4 Descrizione delle funzioni

5 Guida all'installazione

- 1 Contenuti
- 2 Montaggio
- 3 Collegamento
- 4 Alternative di installazione
- 5 Collegamento dell'interruttore a cordino
- 6 Impostazioni di fabbrica
- 7 Impostazione delle funzioni

10 Funzioni avanzate

- Selezione del grado di sensibilità all'umidità
- Funzione di pausa con interruttore momentaneo

IT

12 Indicazione LED

13 Manutenzione

15 Garanzia

15 Riciclaggio

16 Accessori

17 Dati tecnici

18 Guida alla ricerca di guasti

DESCRIZIONE DELLE FUNZIONI

- **Sistema di rilevamento automatico dell'umidità**
Fresh Intellivent è dotato di un sistema di rilevamento dell'umidità completamente automatico, il che significa che il ventilatore impara a azionarsi solamente quando serve.
- **Temporizzatore**
Scelta del tempo di funzionamento - 5, 15 o 30 minuti.
- **Regolazione del regime**
La regolazione del regime integrata permette di regolare il livello sonoro e la capacità secondo le proprie esigenze.
- **Funzionamento continuo**
Se si ha bisogno di una ventilazione di base nell'abitazione, fare funzionare continuamente il ventilatore.
Se montato a muro, elimina anche il rischio di corrente d'aria discendente.
- **Funzione di arieggiatura**
Se il ventilatore è rimasto fermo per più di 26 ore, eseguire il programma di arieggiatura per 60 minuti.
- **Funzione di pausa**
È possibile pausare il ventilatore per un'ora con l'interruttore a cordino.
- **Interruttore bipolare**
Il ventilatore è dotato di un interruttore bipolare, per cui non è necessario un interruttore esterno.
- **Indicazione LED**
Un LED con tre diversi colori indica quale funzione del ventilatore è attiva.
- **Motore a 12 volt**
Il motore è di tipo longlife e ha una vita di servizio di circa 60.000 ore. Questo tipo di motore assicura inoltre un funzionamento silenzioso.

GUIDA ALL'INSTALLAZIONE

1 Contenuti

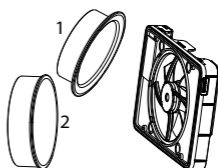
La confezione deve contenere quanto segue:

- Ventilatore
- 2 giunti a manicotto, Ø98 mm e Ø118 mm
- Manuale
- Sacchetto con 4 viti e perni, cordino con pomello e isolamento per il cavo elettrico

2 Montaggio

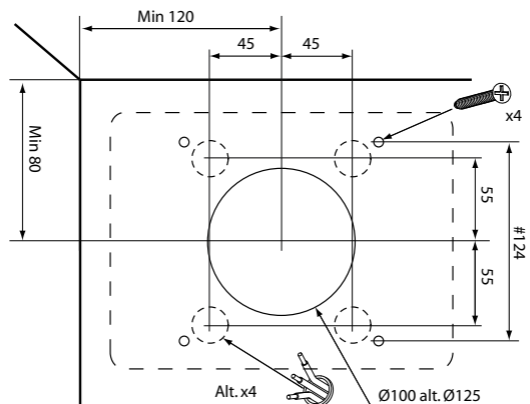
Il ventilatore può essere montato a parete o sul soffitto. Fare riferimento alla figura sottostante per le misure di montaggio. Il ventilatore non deve essere installato in un ambiente in cui la temperatura supera i 50° Celsius. Montare un giunto a manicotto adatto sul telaio del ventilatore, Ø98 (1) per un condotto con Ø100 oppure Ø118 (2) per un condotto con Ø125.

È anche possibile montare e utilizzare il ventilatore senza il giunto a manicotto, direttamente a parete, ad esempio nel caso il condotto abbia un diametro inferiore a 98.



IT

Durante il montaggio, assicurarsi che ci sia isolamento tra il condotto/tubo ed il muro/soffitto per evitare che aria umida/condensa penetri nel muro o nel soffitto. Utilizzare le viti ed i perni forniti se necessario.



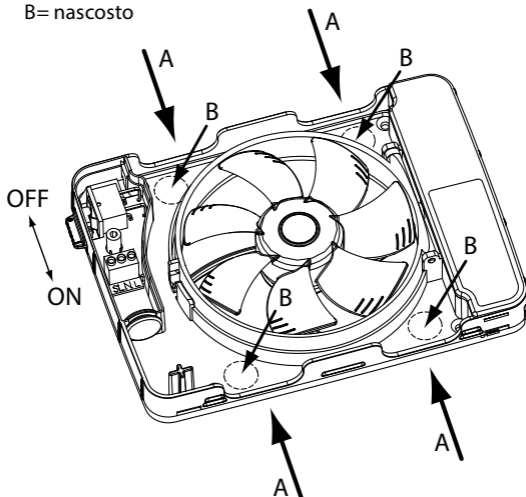
3 Collegamento

- L'installazione deve essere effettuata da un elettricista qualificato.
 - Il ventilatore ha doppio isolamento e non deve essere collegato a massa.
 - Il ventilatore è dotato di un interruttore bipolare e non necessita di un interruttore esterno.
- 1 Portare l'interruttore bipolare in posizione spenta 0 - OFF.
 - 2 Installare il cavo in maniera visibile tramite gli ingressi A del telaio, come sotto, o completamente nascosto tramite gli ingressi B del telaio, come sotto. Utilizzare l'involucro isolante per il cavo elettrico fornito.
 - 3 Se si utilizza uno degli ingressi B, togliere il coperchio di plastica rotondo nascosto battendo leggermente con un cacciavite sulla tacca dall'interno verso l'esterno sul lato posteriore.

Ingressi dei cavi

A= esterno

B= nascosto



4 Alternative di installazione

Il ventilatore può essere installato in tre modi diversi a seconda delle funzioni desiderate, come sotto:

1 Solamente sistema di rilevamento dell'umidità, vedere schema 1

Il ventilatore è collegato con costante di fase (L) e terra (N), per il rilevamento automatico dell'umidità.

Il timer può essere attivato manualmente montando un cordino e tirandolo (vedere pagina 8).

2 Sistema di rilevamento dell'umidità, + temporizzatore con interruttore della lampada, vedere schema 2

Il ventilatore è collegato con costante di fase (L) e terra (N) per il rilevamento automatico dell'umidità.

Il cavo di accensione (SL) viene collegato per attivare il temporizzatore del ventilatore, cioè quando la lampada del bagno viene accesa, c'è corrente sul cavo di accensione. Questa alternativa provoca un ritardo di 90 secondi.

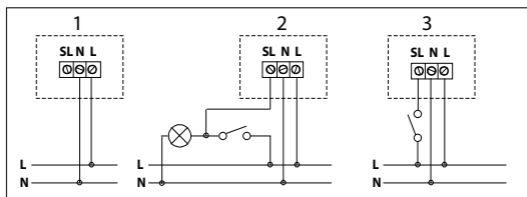
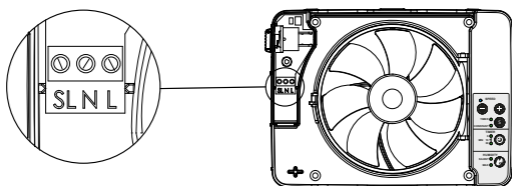
3 Sistema di rilevamento dell'umidità, + temporizzatore con interruttore a molla, vedere schema 3

Il ventilatore è collegato con costante di fase (L) e terra (N) per il rilevamento automatico dell'umidità.

La fase di comando (SL) viene collegata per attivare il temporizzatore del ventilatore, con un interruttore a molla. Con questa alternativa, il ventilatore si avvia immediatamente.

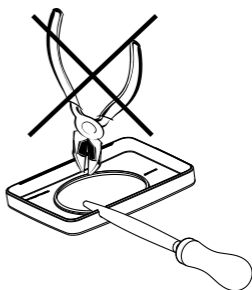
IT

Schema dei circuiti



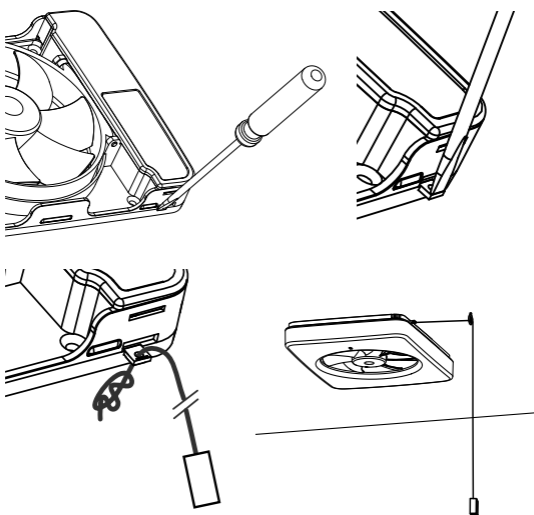
NOTA!

Utilizzare una normale lima tonda per creare un foro di uscita nella cornice frontale. **NON** utilizzare una pinza da taglio o simile, in quanto si rischia di causare crepe nella cornice.



5 Collegamento dell'interruttore a cordino

È possibile montare un cordino per attivare manualmente il temporizzatore o per mettere il ventilatore in pausa. Estrarre la piastra di montaggio con un cacciavite e montare il cordino in dotazione nel foro come nell'illustrazione sotto.



- Quando l'installazione è terminata, premere l'interruttore di sicurezza verso il basso in posizione I - ON per riattivare il ventilatore.

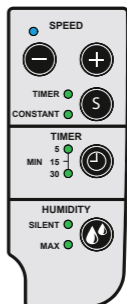
Quando il ventilatore è collegato alla rete di alimentazione, esso svolge un auto-test in cui il funzionamento dei componenti elettronici, del motore e delle lampade LED è verificato. Il ventilatore è ora pronto all'utilizzo.

6 Impostazioni di fabbrica

- timer - 5 minuti
- velocità con rilevamento dell'umidità - silenzioso (70% del max)
- velocità con timer - 70% del max
- funzionamento continuato - spento

Resettamento alle impostazioni di fabbrica

Tenere premuto il tasto S per almeno 5 secondi.



7 Impostazione delle funzioni

Adattamento secondo le esigenze personali:

IT

1. Impostazione del regime per la funzione timer.

Premere il tasto S fino a quando la lampada del timer si accende.

Selezionare la velocità con i tasti SPEED.

Ritornare al regime impostato in fabbrica premendo entrambi i tasti SPEED contemporaneamente.

2. Tempo di continuazione del funzionamento

Impostare il timer su 5, 15 o 30 minuti.

3. Umidità /humidity

Impostare silenzioso (silent) oppure max, a seconda se si tratta di un bagno grande o piccolo.

4. Funzionamento continuo

Premere il tasto S fino a quando la lampada "CONSTANT" si accende. Selezionare il regime con i tasti SPEED.

Disattivazione del funzionamento continuo: premere il tasto S fino a quando la lampada "CONSTANT" si spegne.

FUNZIONI AVANZATE

Scelta di grado di sensibilità all'umidità

Bagni diversi presentano climi diversi, dovuti alla misura, all'eventuale tiraggio, alla temperatura ecc. Ciò si ripercuote sulla risposta all'umidità del ventilatore: può darsi che si ritenga si avvii troppo presto o che ci metta troppo tempo.

L'impostazione di fabbrica è modalità 2: risposta all'umidità normale, che funziona al meglio nella maggior parte dei casi.

È anche possibile scegliere di spegnere completamente la funzione di rilevamento dell'umidità.

1) Premere contemporaneamente i tasti speed e humidity (i LED blu e giallo lampeggiano velocemente).

Premere il tasto humidity mode fino a quando la modalità grado di sensibilità all'umidità è selezionata.

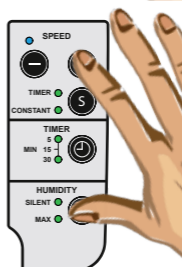
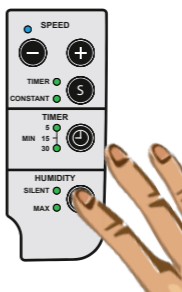
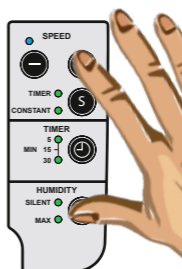
Modalità 1: Il LED per silent è acceso, - risposta rapida all'umidità.

Modalità 2: Il LED per max è acceso, - risposta normale all'umidità.

Modalità 3: I LED per silent e max sono accesi contemporaneamente, - risposta lenta all'umidità.

Modalità 4: Né il LED per silent né quello per max è acceso, - il sistema di rilevamento dell'umidità è disattivato.

2) Premere contemporaneamente i tasti speed e humidity (i LED blu e giallo si spengono).



Funzione di pausa con interruttore momentaneo.

È possibile mettere in pausa il ventilatore per un'ora con un interruttore momentaneo esterno, che va collegato secondo lo schema 3 a pagina 7.

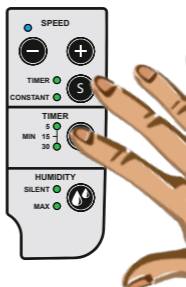
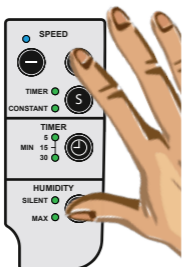
Se si sceglie questa funzione, non è possibile utilizzare la funzione di avvio ritardato tramite il cordino di accensione (illuminazione) collegato a SL.

Attivazione

- 1 Premere contemporaneamente i tasti speed e humidity (i LED blu e giallo lampeggiano velocemente).
- 2 Premere il tasto del timer per 5 secondi fino a quando il LED per 5 min. si accende.
- 3 Premere contemporaneamente i tasti speed e humidity (i LED blu e giallo si spengono).

Disattivazione

- 1 Premere contemporaneamente i tasti speed e humidity (i LED blu e giallo lampeggiano velocemente).
- 2 Premere il tasto del timer per 5 secondi fino a quando tutti i LED del timer sono spenti.
- 3 Premere contemporaneamente i tasti speed e humidity (i LED blu e giallo si spengono).



INDICAZIONE LED

LED: cosa sta facendo il ventilatore?

Fresh Intellivent è dotato di un LED con tre diversi colori, giallo, blu e viola.

Questi colori spiegano cosa il ventilatore sta facendo e quale funzione sta comandando il motore al momento.

- **Nessun LED acceso**

Il ventilatore è spento oppure è in modalità funzionamento continuo.

- **LED blu acceso**

Il ventilatore è attivo - il sensore di umidità ha scoperto un tasso di umidità aumentato nella stanza.

- **LED blu lampeggiante**

Il ventilatore è attivo - il sensore di umidità ha scoperto di poter ridurre il valore di riferimento di umidità nella stanza.

- **LED giallo acceso**

Il ventilatore è attivo - il temporizzatore è attivo.

- **LED giallo lampeggiante**

Il temporizzatore con avvio ritardato è stato attivato con l'interruttore dell'illuminazione.

Il LED lampeggia per 1,5 minuti prima che il ventilatore si attivi.

- **LED viola acceso**

Il ventilatore è attivo - la funzione di arieggiatura è attiva.

- **Giallo e blu lampeggianti lentamente alternativamente**

La funzione di pausa è attivata.

- **Giallo e blu lampeggianti velocemente alternativamente**

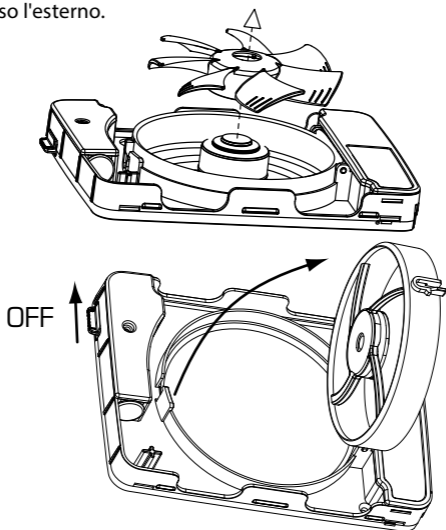
La modalità di programmazione è attivata.

MANUTENZIONE

Fresh Intellivent è costruito per poter funzionare in maniera efficiente per molti anni, ma per far sì che il ventilatore funzioni correttamente, è necessario pulirlo ad intervalli regolari. La lunghezza degli intervalli dipende dalla qualità dell'aria e da quanto il ventilatore è in funzione.

Pulire il ventilatore almeno due volte all'anno o quando necessario. Togliere la corrente al ventilatore premendo l'interruttore bipolare verso l'alto in posizione 0 - OFF.

Il ventilatore è dotato di un'elica rimovibile. Premere sul centro con il pollice, afferrare le pale del ventilatore e staccare l'elica. Per un facile accesso al condotto, è anche possibile utilizzare la funzione di rotazione verso l'esterno. Premere il fermo a pressione e ruotare il motore/le pale verso l'esterno.



IT

Pulire il condotto /tubo se è presente uno strato di sporco, che può causare una diminuzione di capacità.

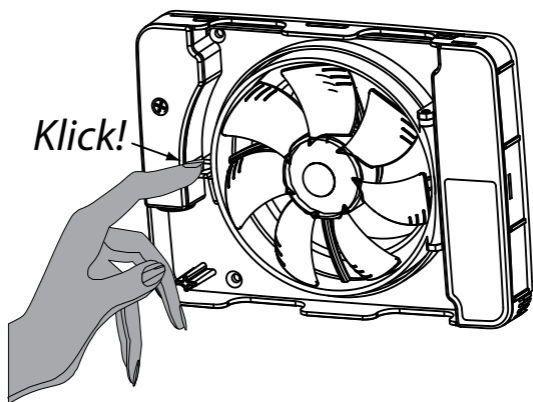
Pulire soprattutto le pale dell'elica se presentano uno strato di sporco, altrimenti c'è rischio di sbilanciamento e quindi aumento del livello sonoro e diminuzione della vita di servizio dei cuscinetti a sfere del motore. Pulire l'elica del ventilatore con una spazzola o un pennello, o semplicemente con un una spazzola per piatti con detergente neutro per stoviglie. Dopo la pulizia, asciugare l'elica. La cornice del ventilatore va pulita con un panno inumidito con acqua ed eventualmente un detergente delicato.

Nota! Non usare solventi o simili su qualsiasi parte del ventilatore, sussiste il rischio di danni alla plastica del ventilatore!

Non immergere mai il ventilatore sott'acqua, sussiste il rischio di danni al motore.

Dopo la pulizia, ripiegare l'anello del motore e fissarlo con il gancio a scatto. Reinstallare l'elica, premerla fino allo scatto. Accendere nuovamente l'interruttore bipolare premendolo verso il basso in posizione 1 - ON.

Se la manutenzione del ventilatore non viene effettuata come sopra, la garanzia del prodotto non sarà valida.



GARANZIA & AMBIENTE

Diamo **5 anni di garanzia** contro i difetti di fabbricazione.



Perché la garanzia sia valida è necessario presentare la prova d'acquisto e che il ventilatore:

- sia montato e installato secondo la guida all'installazione in questo manuale
- sia stato mantenuto secondo le istruzioni di manutenzione in questo manuale
- sia montato in un normale ambiente domestico
- sia collegato ad una tensione di 100-240 V AC
- non sia stato esposto a fulmini o picchi di potenza anomali
- non sia stato sottoposto a manipolazioni
- sia stato installato in una zona secondo IP classe 44.
- non sia stato installato in un ambiente in cui la temperatura ha superato i 50° Celsius.

IT

Il prodotto va reclamato al punto di acquisto.

RICICLAGGIO

Il prodotto è contrassegnato con il simbolo RAEE che indica che non deve essere smaltito con i rifiuti domestici, ma che deve essere riciclato presso la sede locale per il riciclaggio in ogni comune.

Fresh AB partecipa al sistema di riciclaggio nazionale svedese, secondo la direttiva europea RAEE.

Per saperne di più, visitare www.fresh.eu



ACCESSORI

Per Fresh Intellivent è disponibile una serie di accessori che aiuta l'utente ad ottenere un'installazione il più agevole e ordinata possibile. Di seguito alcuni esempi di accessori.

Tubi

per dimensioni
100 e 125



Piastra di copertura

190 x 240 mm
bianca e nera



Griglia di plastica

per dimensioni
100 e 125



Griglia di metallo

per dimensioni
100 e 125



Protezione contro corrente d'aria discendente

Protezione dalla corrente d'aria
discendente per dimensioni
100 e 125



YVG100 e125

Passante con protezione
dalla corrente d'aria discendente.




Per ottenere una ventilazione corretta, è necessario che una quantità sufficiente di aria entri nel bagno. Ciò può essere ottenuto praticando una presa d'aria sul lato inferiore della porta o montando un bocchettone per il trasferimento d'aria nella porta o nella parete.

È anche importante far entrare aria fresca nella casa e farla poi uscire tra l'altro via bagno e lavanderia.

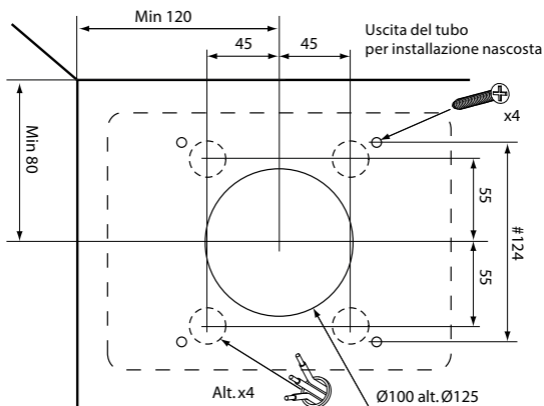
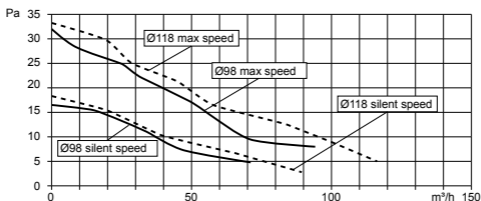
È opportuno montare prese d'aria fresca in camera da letto e soggiorno.

DATI TECNICI

Capacità massima	134 m ³ /h		
Livello di pressione sonora 3 m (modalità Silent)	21 dB(A)		
Consumo energetico	2,1 - 5,5 W		
Misure di montaggio a muro	0 - 30 mm		
Foro	105 - 130 mm		
Materiale	ABS plastic		
Classe di incapsulamento	IP44		
Classe di isolamento	□		
Tensione	100-240 V		
Frequenza	50-60 Hz		
Certificato			
Dimensione del condotto	Max/ Silent	Capacità (soffiaggio libero)	Pressione sonora a 3 m
Ø 98	Max	107 m ³ /h	28 dB(A)
Ø 98	Silent	74 m ³ /h	21 dB(A)
Ø 98	Constant	42 m ³ /h	12 dB(A)
Ø 118	Max	134 m ³ /h	29 dB(A)
Ø 118	Silent	86 m ³ /h	21 dB(A)
Ø 118	Constant	55 m ³ /h	13 dB(A)

IT

Capacità



GUIDA ALLA RICERCA DI GUASTI

Il ventilatore non si avvia

Il ventilatore è appena stato installato e non è mai stato avviato:

Controllare che le pale della ventola si muovano senza ostacoli.

Controllare la posizione dell'interruttore di sicurezza, che deve essere in posizione I- ON.

Staccare la corrente - portare l'interruttore di sicurezza in posizione 0 - OFF e poi di nuovo alla posizione I - ON.

Controllare che ci sia tensione sul blocco di connessione L (solamente elettricisti).

Controllare che il neutro a terra sia collegato correttamente misurando la tensione su L-N. (solamente elettricisti).

Il ventilatore è già stato usato per un periodo:

Controllare che le pale della ventola si muovano senza ostacoli.

Staccare la corrente - portare l'interruttore di sicurezza in posizione 0 - OFF e poi di nuovo alla posizione I - ON.

Lasciare il ventilatore spento per ca 3 secondi prima di riattaccarlo.

Il ventilatore è stato pulito

Controllare che le pale della ventola si muovano senza ostacoli

Controllare la posizione dell'interruttore di sicurezza, che deve essere in posizione I- ON.

Il ventilatore è costantemente in azione

Il LED blu è sempre acceso

(Se il ventilatore è stato continuamente in azione per almeno un giorno intero)

Controllare il funzionamento aprendo la porta del bagno e lasciandola aperta per almeno mezz'ora per equilibrare il tasso di umidità.

Staccare la corrente - portare l'interruttore di sicurezza in posizione 0 - OFF e poi di nuovo alla posizione I - ON.

Il LED giallo è sempre acceso

Se il ventilatore è collegato ad un interruttore esterno, per la funzione timer, spegnerlo e attendere almeno 30 minuti. Staccare la corrente - portare l'interruttore di sicurezza in posizione 0 - OFF e poi di nuovo alla posizione I - ON.

Nessun LED acceso

Normale se il ventilatore è impostato su funzionamento continuo, in questa modalità tutti i LED sono spenti. Se il ventilatore non è impostato su funzionamento continuo, staccare la corrente - portare l'interruttore di sicurezza in posizione 0 - OFF e di nuovo alla posizione I - ON.

Altri problemi

Il ventilatore si ferma quando viene spenta la lampada.
Il ventilatore non è installato correttamente. Il blocco L sul blocco di connessione deve sempre avere una fase diretta.

Contattare un elettricista.

IT

Il ventilatore si ferma quando viene accesa la lampada.

Il ventilatore è probabilmente programmato per pausa con l'interruttore momentaneo. Vedere pagine 11 per rimuovere la programmazione.

Il ventilatore non funziona secondo la descrizione

Rimuovere la cornice e staccare la corrente portando l'interruttore di sicurezza in posizione 0 e poi riportarlo in posizione I (acceso).

Se il ventilatore continua a non funzionare secondo la descrizione in questo manuale, contattare il rivenditore o Fresh all'indirizzo mail: intellivent@fresh.se.





Designed and manufactured
by Fresh in Sweden



Scan this code with
your smartphone for
further information

FRESH AB

Gransholms bruk
SE-360 32 GEMLA
SWEDEN

Tel +46 (0) 470-70 77 00
Fax +46 (0) 470-70 77 39

E-mail info@fresh.se
Web www.fresh.eu

AD: Kjell-Olof Askencrantz • Product manager: Tomas Söreke
Copyright © Fresh AB 2009-2014 • All rights reserved.

Fresh® and the Fresh® logotype are trademarks or registered
trademarks of Fresh AB in Sweden and/ or other countries.
Intelligent® is a trademark or registered trademark of Fresh AB
in Sweden and/ or other countries. Patent SE533319 C2.
International and European Patent Pending.

Art. nr. 008602 • Intelligent® 2.0 Edition Exp 2014-2

