

Designed and manufactured  
by Fresh in Sweden



# MANUAL INTELLIVENT® 2.0

EN

BG

CZ

PL

RU

TR



Thank you for choosing this product from Fresh.  
Before installing and using the fan, read through this manual / these instructions for use.  
Then keep it safe so that you can use it for reference in future.

## **Safety information!**

Children aged 8 and above as well as persons with reduced physical, sensory or mental capacity or who do not have the necessary experience or know-how may use this equipment if they are supervised or given sufficient instruction in how to use the equipment safely and have understood the risks involved. Children must not play with this equipment. Cleaning and maintenance must not be performed by unsupervised children.

# CONTENTS

EN

## 4 Description of functions

## 5 Installation guide

- 1 Contents
- 2 Installation
- 3 Connection
- 4 Installation options
- 5 Connecting a pull cord switch
- 6 Factory setting
- 7 Setting functions

## 10 Advanced functions

- Setting humidity sensitivity mode
- Pause function with momentary switch

## 12 LED indicators

## 13 Maintenance

## 15 Warranty

## 15 Recycling

## 16 Accessories

## 17 Technical data

## 18 Troubleshooting guide

## DESCRIPTION OF FUNCTIONS

- **Automatic moisture detection system**

Fresh Intellivent is equipped with fully automatic humidity control, which means the fan learns to run only when it can make a difference.

- **Timer**

Selectable delay time – 5, 15 or 30 minutes.

- **Speed control**

The integral speed control allows you to adjust the noise level and capacity to meet your needs.

- **Continuous operation**

Leave the fan running continuously if you need basic ventilation in the home.

This also eliminates the risk of draughts in case of wall mounting.

- **Airing function**

If the fan has been inactive for 26 hours, an airing programme will run for 60 minutes.

- **Pause function**

The fan can be paused for one hour using the power cord.

- **Multi-pole switch**

The fan is fitted with a multi-pole switch, which means that an external switch is not required.

- **LED indicators**

A light-emitting diode with three different colours indicates which mode the fan is in at any one time.

- **12-volt motor**

The motor is a long-life motor, with a life span of approx. 60,000 hours. This type of motor also runs silently.



# INSTALLATIONGUIDE

## 1 Contents

The packaging should contain the following:

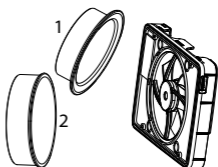
- Fan
- 2 adapters, 1 x  $\text{Ø}98$  mm and 1 x  $\text{Ø}118$  mm
- Manual
- Accessory bag with 4 screws and plugs, a pull cord with toggle, and insulation for the standard cable type (FK)

EN

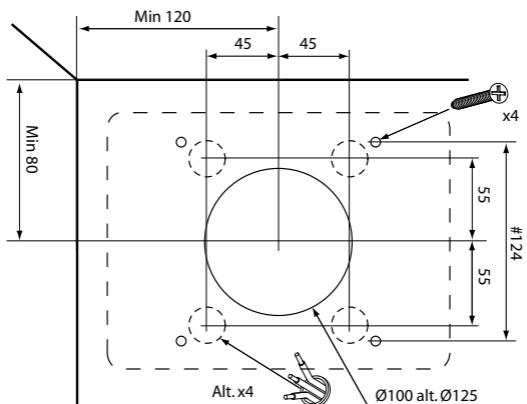
## 2 Installation

The fan can be installed on a wall or on a ceiling. See the diagram below for installation dimensions. The fan must not be installed in an environment where the temperature exceeds  $50^{\circ}\text{C}$ . Attach an appropriate adapter to the fan's chassis,  $\text{Ø}98$  (1) for a  $\text{Ø}100$  duct or  $\text{Ø}118$  (2) for a  $\text{Ø}125$  duct.

The fan can also be installed and used without an adapter, so that it is mounted completely on the surface, e.g. in the case of ducts less than  $\text{Ø}98$ .



When installing the fan, check that there is a seal between the pipe/duct and wall/ceiling to prevent humid air from penetrating the wall or ceiling. Use the accompanying screw and plug, if necessary.



### 3 Wiring

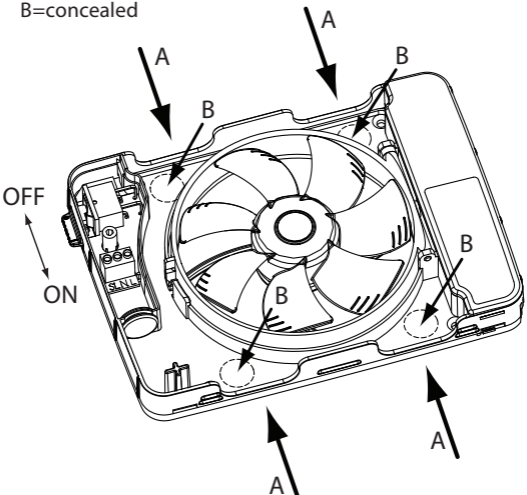
- Installation work should be performed by a qualified electrician.
- The fan is double insulated and must not be earthed.
- The fan is fitted with a multi-pole switch and does not require a pre-wired external switch.

- 1 Push the multi-pole switch up to position 0 – OFF.
- 2 The cable can be installed either along the surface using entries A in the chassis or concealed using the B inlets in the chassis. Both options are shown below. Use the insulating sleeve supplied for the cable (FK).
- 3 If you use any of the B inlets, remove the concealed round plastic cover by tapping inside the break-off notch from the inside out to the back with a screwdriver, for example.

Cable entries

A=surface

B=concealed



## 4 Installation options

The fan can be installed in any of three ways depending on the desired function, as detailed below:

EN

### 1 Humidity control only, see diagram 1

The fan is connected to constant phase (L) and neutral (N) for automatic humidity control.

The timer can be activated manually by installing a pull cord and pulling it (see page 8).

### 2 Humidity control + timer with light switch, see diagram 2

The fan is connected to constant phase (L) and neutral (N) for automatic humidity control.

Switched live (SL) is connected to activate the fan's timer, i.e. when the bathroom light is switched on, current is present at switched live. This option provides a 90-second start delay.

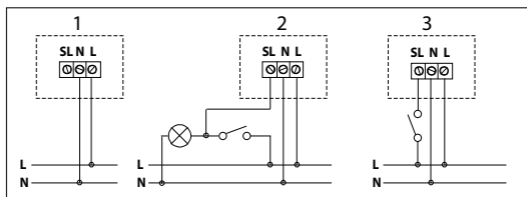
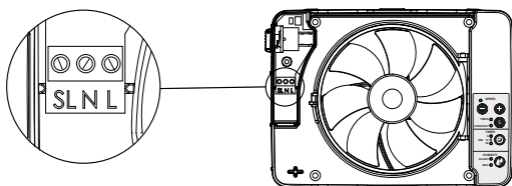
### 3 Humidity control + timer with retractive switch, see diagram 3

The fan is connected to constant phase (L) and neutral (N) for automatic humidity control.

Switched live (SL) is connected to activate the fan's timer using a retractive switch.

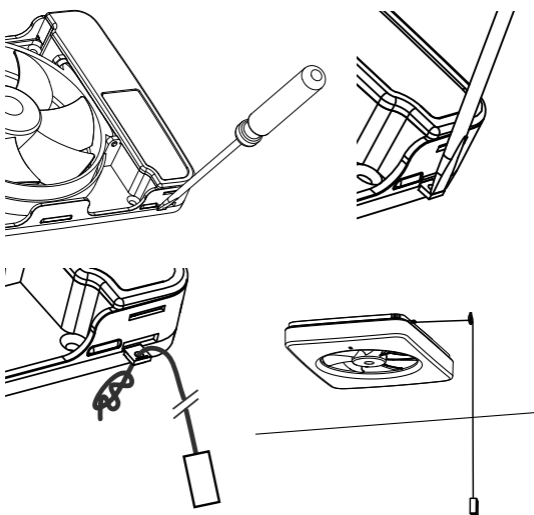
This option gives direct start-up of the fan.

## Wiring diagram



## 5 Connecting the pull cord switch

A pull cord can be installed for activating the timer manually or for pausing the fan. Remove the mounting plate using a screwdriver, for example, and thread the accompanying pull cord through the hole.



- Once installation is complete, push the safety switch down to position I – ON, to make the fan active again.

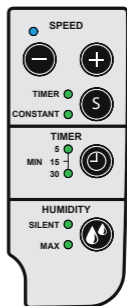
*When the fan is connected to the power supply, it performs a self-test where electronics, LEDs and operation of the motor are all tested. The fan is now ready for use.*

## 6 Factory setting

- timer – 5 minutes
- humidity speed – silent (70% of max.)
- timer speed – 70% of max.
- constant operation – off

### Restore factory settings

Hold the S-button in for a minimum of 5 seconds.



EN

## 7 Setting functions

*Possible adaptation to meet your needs:*

### 1. Setting fan speed for timer operation.

Press the S-button until the timer light comes on.

Use the SPEED buttons to set the speed.

Restore the factory default timer speed by pressing both the SPEED buttons simultaneously.

### 2. Delay time

Set the timer to 5, 15 or 30 minutes.

### 3. Humidity mode / humidity

Set to silent or max. capacity – small or large bathroom.

### 4. Continuous operation

Press the S-button until the "CONSTANT" light comes on. Select the fan speed using the SPEED buttons.

To turn off continuous operation: press the S-button until the "CONSTANT" light goes off.

## ADVANCED FUNCTIONS

### Selecting humidity sensitivity mode

Bathroom climates may vary depending on a number of factors: room size, the presence of any natural draught ventilation, temperature, etc. These factors may have a bearing on fan humidity response, causing it to start too quickly or too slowly.

**The factory setting is position 2: normal humidity response, which works best in most cases.**

There is also the option of completely switching off the humidity function.

1) Press the Speed + and Humidity mode buttons simultaneously (*the blue and yellow LEDs flash quickly*).

Press the Humidity Mode button until the desired humidity sensitivity mode is selected.

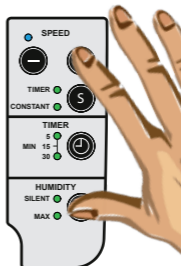
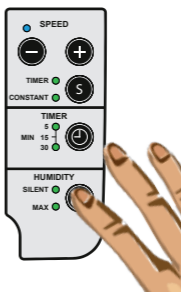
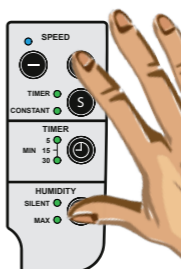
**Position 1:** the Silent LED comes on – fast humidity response.

**Position 2:** the Max LED comes on – normal humidity response.

**Position 3:** The Silent and Max LEDs come on together – slow humidity response.

**Position 4:** Both the Silent and Max LEDs stay off – humidity control is deactivated.

2) Press the Speed + and Humidity Mode buttons at the same time (*The blue and yellow LEDs stop flashing*).



## Pause function using momentary switch

You can pause the fan for one hour by engaging an external momentary switch. This can be connected as shown in diagram 3 on page 7.

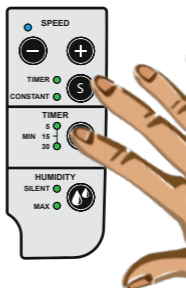
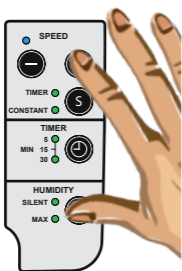
*With this function selected, you will be unable to use the delayed start via switched live (lighting) function connected to SL*

### Activation

- 1 Press the Speed + and Humidity Mode buttons simultaneously (*the blue and yellow LEDs flash quickly*).
- 2 Press the timer button and hold it in for 5 seconds until the 5 min LED comes on.
- 3 Press the Speed + and Humidity Mode buttons at the same time (*The blue and yellow LEDs stop flashing*).

### Deactivation

- 1 Press the Speed + and Humidity Mode buttons simultaneously (*the blue and yellow LEDs flash quickly*).
- 2 Press the timer button and hold it in for 5 seconds until no timer run-on LEDs are illuminated.
- 3 Press the Speed + and Humidity Mode buttons simultaneously (*the blue and yellow LEDs flash quickly*).



## LED INDICATORS

### LED – what is the fan doing?

Fresh Intellivent is equipped with a three-colour LED indicator: yellow, blue and purple.

These three colours tell the user what the fan is doing and which function is currently controlling the motor.

- **No LED on**  
The fan is off or is running continuously.
- **Blue LED on**  
The fan is running – the humidity sensor has detected increased humidity in the room.
- **Blue flashing LED**  
The fan is running – the fan sensor has detected that it can reduce its reference values for humidity in the room.
- **Yellow LED on**  
The fan is running – timer control has been activated.
- **Yellow flashing LED**  
Timer control with delayed start has been activated by the light switch.  
The LED flashes for 1.5 min. before the fan starts.
- **Purple LED on**  
The fan is running – the airing function has been activated.
- **Yellow and blue LEDs slowly flash alternately**  
Pause function has been activated.
- **Yellow and blue LEDs quickly flash alternately**  
Programming mode has been activated.



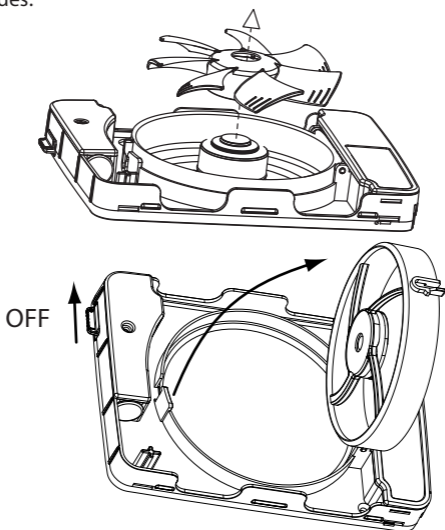
## MAINTENANCE

Fresh Intellivent is designed to work efficiently for many years. The fan needs to be cleaned at regular intervals if it is to function properly. These intervals are determined by duration of fan operation and air quality. Clean the fan at least twice a year, or as required.

EN

Disconnect the power supply to the fan by pushing the multi-pole switch up to position O - OFF.

The fan is fitted with a removable propeller. Press in the centre using your thumb, grip the fan wings and pull off the propeller. The fan's "swing out" function is also useful, as it provides easy access to the duct. Press the motor mount ring's snap-in catch and swing out the motor/ blades.



Clean the duct/pipe if there is any dirt present inside. Failure to do this may result in a risk of impaired capacity.

When cleaning the fan, pay particular attention to the blades if these are dirty. Otherwise, there is a risk of imbalance and hence increased noise and a reduced life span for the motor bearings.

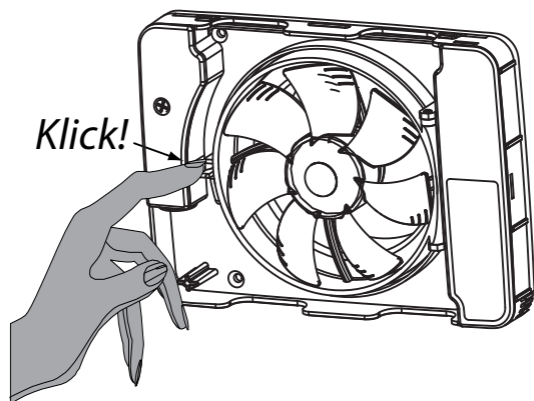
Clean the fan's blades with a brush or paintbrush.  
Clean the fan cover with a polishing cloth moistened with water and possibly a mild detergent.

**NB!** Never use solvents or similar products on any part of the fan, as there is a risk of them damaging the fan's plastic components!

Never submerge the fan in water, as there is a risk that this could damage the fan's motor.

After cleaning, swing the motor mount ring back into position and lock it by securing the snap-in catch.  
Switch the multi-pole switch back on by moving the switch down to position 1 – ON.

If maintenance of the fan is not performed as specified above, the product warranty will be null and void.



## WARRANTY

We provide a **5 year warranty** against manufacturing defects.



EN

For the warranty to be valid, proof of purchase is required and the fan:

- must be assembled and installed in accordance with the installation guide in this manual
- must have been maintained according to the maintenance instructions in this manual
- must be installed in a normal residential environment
- must be connected to a voltage of 100-240 V AC
- must not have been exposed to lightning or abnormal power surges
- must not have been subjected to tampering
- must have been installed in a zone rated as IP44
- must not have been installed in an environment where the temperature exceeded 50° Celsius.

**Complaints concerning the product are to be made to the point of purchase.**

## RECYCLING

The product is marked with the WEEE symbol, which indicates that it must not be disposed of with household waste, but must be recycled at a suitable recycling location in the local municipality.

Fresh AB is a member of Sweden's national recycling system, in accordance with the European WEEE directive.



For more information, see [www.fresh.eu](http://www.fresh.eu)

## ACCESSORIES

There are a number of accessories available for Fresh Intel-livent to help you as user install the product as smoothly as possible. Below are some examples of accessories.

### Pipes

for sizes  
100 and 125



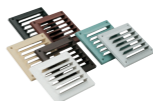
### Cover plate

190 x 240 mm  
white and black



### Plastic grille

for sizes  
100 and 125



### Metal grille

for sizes  
100 and 125



### Cold surge protection

for sizes  
100 and 125



### YVG100 and 125

Feed-through with  
cold surge protection.




For optimum ventilation, you must ensure that sufficient air can enter the bathroom. This is done either by creating an opening at the bottom of the door or by installing an air vent in the door or wall.

It is also important to draw fresh air into the house that is then expelled through the bathroom or laundry room, for instance.

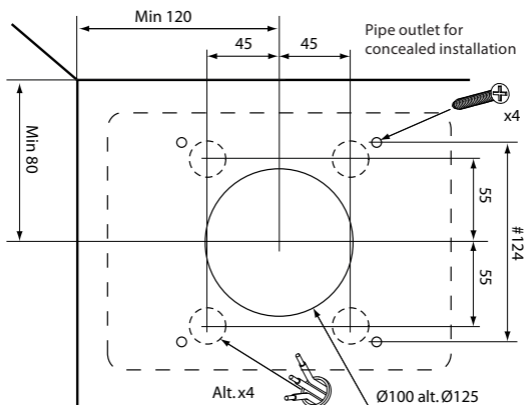
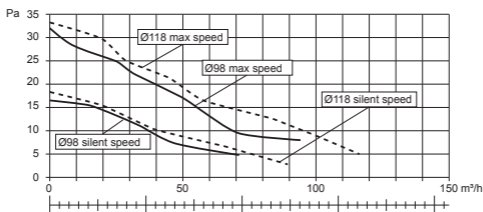
In this case, it is a good idea to install fresh air vents in bedrooms and in the living room.

# TECHNICAL DATA

Maximum capacity	134 m <sup>3</sup> /h		
Sound pressure level 3 m (Silent mode)	21 dB(A)		
Power consumption	2,1 - 5,5 W		
Mounting dimensions in wall	0 - 30 mm		
Holes	105 - 130 mm		
Material	ABS plastic		
Protection rating	IP44		
Insulation class	□		
Voltage	100-240 V		
Frequency	50-60 Hz		
Certificates			
Duct dimensions	Max/ Silent	Capacity (free blowing)	Sound pressure level 3 m
Ø 98	Max	107 m <sup>3</sup> /h	28 dB(A)
Ø 98	Silent	74 m <sup>3</sup> /h	21 dB(A)
Ø 98	Constant	42 m <sup>3</sup> /h	12 dB(A)
Ø 118	Max	134 m <sup>3</sup> /h	29 dB(A)
Ø 118	Silent	86 m <sup>3</sup> /h	21 dB(A)
Ø 118	Constant	55 m <sup>3</sup> /h	13 dB(A)

EN

## Capacity



## **TROUBLESHOOTING GUIDE**

### **The fan does not start**

#### **The fan is newly installed and has never been started:**

Check that the fan impeller runs freely.

Check the position of the safety switch. It must be in position I – ON.

Disconnect the power supply to the fan – move the safety switch to position 0 – OFF and then back to position I – ON.

Check that there is voltage at terminal block L (to be done by electricians only).

Check that neutral is properly connected by measuring the voltage across L-N (to be done by electricians only).

#### **The fan has been in use for some time:**

Check that the fan impeller runs freely.

Disconnect the power supply to the fan – move the safety switch to position 0 – OFF and then back to position I – ON. Leave the fan switched off for about 3 seconds before switching it back on.

#### **The fan has been cleaned**

Check that the fan impeller runs freely

Check the position of the safety switch. It must be in position I – ON.

### **The fan runs non-stop**

#### **The blue LED is on constantly**

*(If the fan has been running non-stop for at least 24 hours)*

Check that it is working by opening the bathroom door and leaving it open for at least half an hour to equalise humidity levels.

Disconnect the power supply to the fan – move the safety switch to position 0 – OFF and then back to position I – ON.

**The yellow LED is constantly on**

If the fan is connected to an external switch for timer control, switch this off and wait at least 30 minutes.

Disconnect the power supply to the fan – move the safety switch to position 0 – OFF and then back to position I – ON.

**No LEDs on**

This is entirely normal if the fan has been set to continuous operation. No LEDs are on in this mode.

If the fan has not been set to continuous operation, disconnect the power supply to the fan – move the safety switch to position 0 – OFF and then back to position I – ON.

**Other faults**

The fan stops when the light is switched off.

The fan has been installed incorrectly. Terminal L on the terminal block should always have direct phase.

*Contact your electrician.*

**The fan stops when the light is switched on.**

The fan has probably been programmed to pause on a momentary switch. See page 11 for deprogramming

**The fan does not work as described**

Remove the cover and disconnect the power supply to the fan by moving the safety switch to 0. Then return the switch to I (On).

*If the fan still does not work as described in this guide, contact the retailer or Fresh by sending an e-mail to: [intellivent@fresh.se](mailto:intellivent@fresh.se).*

Благодарим ви, че избрахте този продукт на Fresh. Преди да монтирате и да използвате вентилатора, прочетете това ръководство/инструкциите за употреба. След това го съхранете за бъдещи справки.

## **Информация за безопасност!**

Деца на възраст 8 години и повече, както и лица с намалени физически, сетивни или умствени възможности, или които нямат необходимия опит и знания, могат да използват това оборудване, ако са под надзор или са получили достатъчно указания относно безопасния начин за употреба на оборудването и са разбрали произтичащите опасности. С това оборудване не трябва да играят деца. Почистването и поддръжката не трябва да бъдат извършвани от деца без надзор.



# СЪДЪРЖАНИЕ

## 4 Описание на функциите

## 5 Ръководство за монтаж

- 1 Съдържание
- 2 Монтаж
- 3 Свързване
- 4 Опции за монтаж
- 5 Свързване на ключ, управляван чрез корда
- 6 Заводска настройка
- 7 Задаване на функциите

## 10 Усъвършенствани функции

- Задаване ниво на чувствителност за влажност
- Функция за пауза с ключ с моментално действие

## 12 Светодиодни индикатори

## 13 Поддръжка

## 15 Гаранция

## 15 Рециклиране

## 16 Принадлежности

## 17 Технически данни

## 18 Ръководство за отстраняване на неизправности

## ОПИСАНИЕ НА ФУНКЦИИТЕ

- **Автоматична система за откриване на влага**  
Fresh Intellivent е снабден с напълно автоматично управление на влажността, което означава вентилаторът да работи само когато може да предизвика промяна.
- **Таймер**  
Избираемо времезакъснение - 5, 15 или 30 минути.
- **Управление на скоростта**  
Интегралното управление на скоростта ви позволява да регулирате нивото на шума и капацитета според нуждите ви.
- **Режим на непрекъсната работа**  
Оставете вентилатора да работи непрекъснато, ако се нуждаете само от вентилация у дома.  
Освен това, така се гарантира, че няма да има течение при стенен монтаж.
- **Функция за аерация**  
Ако вентилаторът не е работил 26 часа, ще се задейства програма за аерация в продължение на 60 минути.
- **Функция за пауза**  
Вентилаторът може да бъде поставен в състояние на пауза в продължение на един час с помощта на кордата.
- **Многополюсен ключ**  
Вентилаторът е снабден с многополюсен ключ, което означава, че не се изисква външен ключ.
- **Светодиодни индикатори**  
Светодиоден индикатор с три различни цвята показва в какъв режим работи вентилаторът във всеки момент.
- **12-волтов мотор**  
Моторът е с голям експлоатационен ресурс, около 60 000 часа. Този вид мотори работят безшумно.

# РЪКОВОДСТВО ЗА МОНТАЖ

## 1 Съдържание

В опаковката трябва да се съдържа следното:

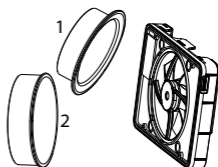
- Вентилатор
- 2 адаптера, 1 x Ø98 мм и 1 x Ø118 мм
- Ръководство
- Пакет с принадлежности с 4 винта и заглушки, корда за дърпане на ключа и изолация за стандартен кабел, тип FK

BG

## 2 Монтаж

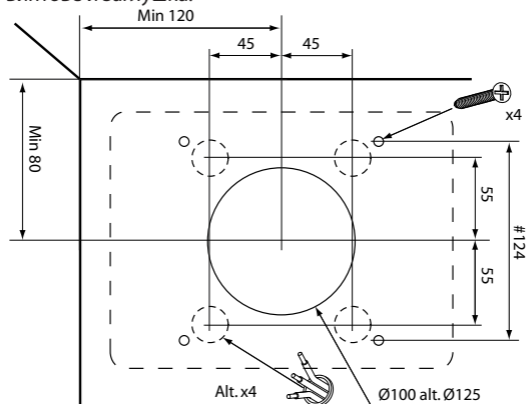
Вентилаторът може да бъде монтиран на стена или таван. Вижте чертежа по-долу за монтажните размери. Вентилаторът не трябва да се монтира в среда с температури над 50°C.

Поставете подходящ адаптер към шасито на вентилатора, Ø98 (1) за въздуховод Ø100 или Ø118 (2) за въздуховод Ø125.



Вентилаторът може да бъде монтиран И и използван и без адаптер, ако е монтиран изцяло върху повърхност, напр. при въздуховоди под Ø98.

При монтажа на вентилатора се убедете, че има уплътнение между тръбата/въздуховода, което да не позволява проникване на влажен въздух върху стената или тавана. При нужда използвайте доставените винтове и заглушка.



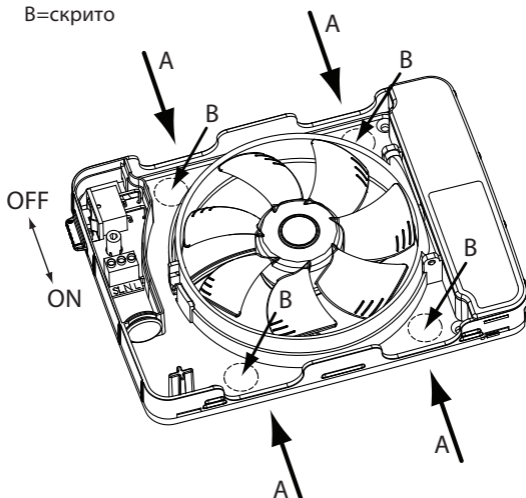
### 3 Свързване

- Монтажът трябва да бъде извършен от квалифициран електротехник.
  - Вентилаторът е с двойна изолация и не трябва да се заземява.
  - Вентилаторът е снабден с многополюсен ключ и не изисква свързване на външен ключ.
- 1 Натиснете многополюсния ключ в положение 0 - OFF (ИЗКЛ.).
  - 2 Кабелът може да се монтира или по повърхността през отворите А в шасито, или скрито, с използване на отворите В в шасито. По-долу са показани двете опции. Използвайте изолационния шлаух, доставен за кабела (FK).
  - 3 Ако използвате някои от отворите В, отстранете кръглия пластмасов капак чрез почукване вътре в прореза за избиване отвътре навън, напр. с отвертка.

Преминаване на кабелите

A=по повърхността

B=скрито



## 4 Опции за монтаж

Вентилаторът може да бъде монтиран по всеки от трите начина, според нужната функция, както е показано по-долу:

### 1 Само управление на влажността, вижте схема 1

Вентилаторът е свързан постоянно към фазата (L) и нулата (N), за автоматично управление на влажността. Таймерът може да се задейства ръчно чрез монтиране на корда и дръпването ѝ (вижте стр. 8).

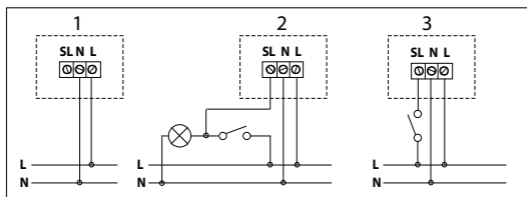
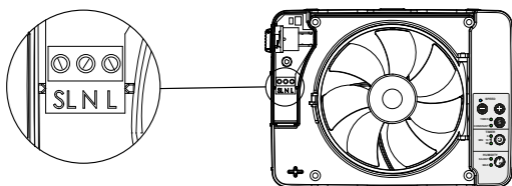
### 2 Управление на влажността + таймер с включване на осветлението, вижте схема 2

Вентилаторът е свързан постоянно към фазата (L) и нулата (N), за автоматично управление на влажността. Комутируема фаза (SL) се свързва за задействане на таймера на вентилатора, напр. при включване на осветлението в банята, върху комутируемата фаза присъства напрежение. Тази опция дава стартово закъснение 90 секунди.

### 3 Управление на влажността + таймер с издърпващ се ключ, вижте схема 3

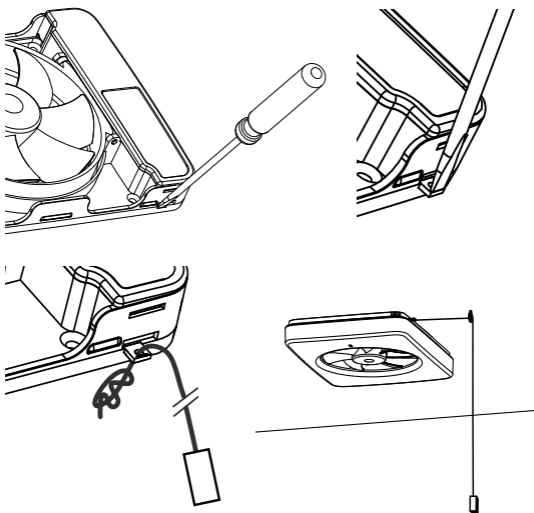
Вентилаторът е свързан постоянно към фазата (L) и нулата (N), за автоматично управление на влажността. Комутируема фаза (SL) се свързва за задействане на таймера на вентилатора чрез издърпващ се ключ. Тази опция предизвиква директно пускане на вентилатора.

#### Схема за свързване



## 5 Свързване на ключ, управляван чрез корда

Може да се монтира ключ, управляван чрез корда, за директно задействане на таймера или за пауза на вентилатора. Отстранете монтажната пластина, напр. с отвертка и прокарайте кордата през отвора.



- След приключване на монтажа натиснете ключа за обезопасяване надолу в положение I – ON (ВКЛ.), за да може да се активира вентилаторът.

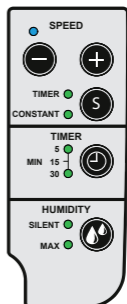
*Ако вентилаторът се свърже към захранването, ще изпълни самотестване, при което се проверява електрониката, светодиодите и действието на мотора. Сега вентилаторът е готов за работа.*

## 6 Заводска настройка

- таймер – 5 минути
- скорост на овлажняване – тихо (70% от макс.)
- скорост на таймера – 70% от макс.
- режим на постоянна работа – изкл.

### Възстановяване на заводските настройки

Задръжете бутона S най-малко 5 секунди.



BG

## 7 Задаване на функциите

*Възможно напасване според нуждите ви:*

### 1 Задаване на скорост на вентилатора за работа с таймера.

Натискайте бутон S, докато индикаторът светне.

Използвайте бутоните SPEED за задаване на скоростта.

Възстановете заводската настройка на скоростта на таймера чрез едновременно натискане на двата бутона SPEED.

### 2 Времетраеност

Нагласете таймера на 5, 15 или 30 минути.

### 3 Режим на влажност / влажност

Задайте тих режим или макс. капацитет - за малка или голяма баня.

### 4 Режим на непрекъсната работа

Натискайте бутон S, докато светне индикаторът „CONSTANT“. Използвайте бутоните SPEED за задаване на скоростта на вентилатора.

Изключване на режима на непрекъсната работа: натискайте бутон S, докато индикаторът „CONSTANT“ изгасне.

## УСЪВЪРШЕНСТВАНИ ФУНКЦИИ

### Избиране на режим на чувствителност за влажност

Климатът в банята може да зависи от няколко фактора: размер на стаята, наличието на естествена вентилация, температурата и др. Тези фактори могат да влияят на реакцията на вентилатора спрямо влага, като го карат да се задейства прекалено рано или прекалено късно.

**Заводската настройка е положение 2: нормална реакция на влага, което е най-добре в повечето случаи.**

Има и опция за пълно изключване на функцията за влажност.

1) Натиснете едновременно бутоните Speed + и Режим на влажност (синият и жълтият светодиоди ще мигат често).

Натискайте бутона Режим за влажност, докато бъде избран желаният режим на чувствителност към влажност.

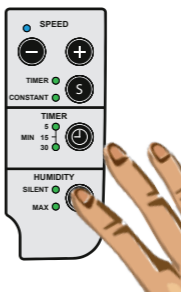
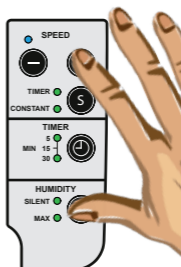
**Положение 1:** светва светодиодът за тих режим – бърза реакция за влажност.

**Положение 2:** светва светодиодът Max – нормална реакция за влажност.

**Положение 3:** Светват заедно светодиодите за тих режим и Max – бавна реакция за влажност.

**Положение 4:** Светодиодите за тих режим и Max остават изключени – управлението на влажността е изключено.

2) Натиснете едновременно бутон Speed + и бутона за влажност (синият и жълтият светодиоди спират да мигат).





## Функция за пауза с ключ с моментално действие.

Можете да направите пауза на вентилатора от 1 час чрез задействане на външен ключ с моментално действие. Той може да се свърже, както е показано на схема 3 на стр. 7.

Когато тази функция е избрана, получавате възможност да използвате забавено стартиране чрез комутируемата функция за осветление със свързване на SL.

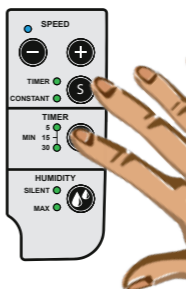
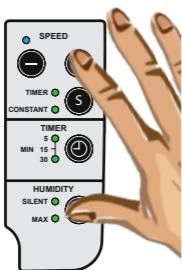
BG

### Задействане

- 1 Натиснете едновременно бутоните Speed + и Режим на влажност (синият и жълтият светодиоди ще мигат често).
- 2 Натиснете и задръжте за 5 секунди бутона на таймера, докато светодиодът за 5 минути светне.
- 3 Натиснете едновременно бутоните Speed + и Режим на влажност (синият и жълтият светодиоди ще престанат да мигат).

### Спиране

- 1 Натиснете едновременно бутоните Speed + и Режим на влажност (синият и жълтият светодиоди ще мигат често).
- 2 Натиснете и задръжте за 5 секунди бутона на таймера, докато не останат светещи светодиоди без таймер.
- 3 Натиснете едновременно бутоните Speed + и Режим на влажност (синият и жълтият светодиоди ще мигат често).



# СВЕТОДИОДНИ ИНДИКАТОРИ

## Светодиод – какво извършва вентилаторът?

Fresh Intellivent е оборудван със трицветен светодиоден индикатор: жълт, син и виолетов.

Тези три цвята показват какво извършва вентилаторът и каква функция управлява мотора в момента.

- **Няма включен светодиод**  
Вентилаторът е изключен или работи в непрекъснат режим.
- **Включен син светодиод**  
Вентилаторът работи - датчикът за влажност е открил повишена влажност в помещението.
- **Мигащ син светодиод**  
Вентилаторът работи – датчикът на вентилатора е установил, че може да намали еталонните стойности за влажност в помещението.
- **Включен жълт светодиод**  
Вентилаторът е включен - задействано управление от таймера.
- **Мигащ жълт светодиод**  
Задействано е управление от таймера със забавено стартиране от ключа за осветлението.  
Светодиодът мига в продължение на 1,5 мин. преди стартиране на вентилатора.
- **Включен виолетов светодиод**  
Вентилаторът е включен - задействана е функцията за аерация.
- **Редуване на бавно мигащи жълт и син светодиоди**  
Задействана е функцията за пауза.
- **Редуване на бързо мигащи жълт и син светодиоди**  
Задействан е режимът за програмиране.

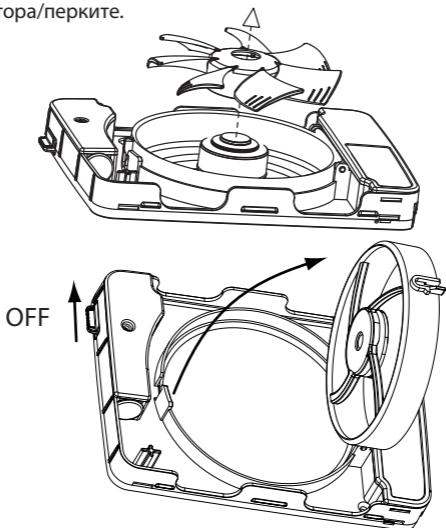
## ПОДДРЪЖКА

Fresh Intellivent е конструиран за дългогодишна ефикасна работа. Вентилаторът трябва да се почиства през редовни интервали, за да работи добре. Тези интервали се определят от продължителността на работата му и от качеството на въздуха. Почиствайте вентилаторът два пъти годишно или при необходимост.

BG

Спрете захранването на вентилатора чрез натискане на многополюсния ключ в положение О - OFF (ИЗКЛ.).

Вентилаторът е съоръжен с пропелер, позволяващ демониране. Натиснете в центъра с палец, хванете перките на вентилатора и изтеглете пропелера. Ползена е също и функцията за „отмятане“ на вентилатора, тъй като дава лесен достъп до въздуховода. Натиснете пръстеновидното закрепване на мотора и отметнете мотора/перките.



Почистете въздуховода/тръбата, ако са замърсени отвътре.

В противен случай има риск от влошаване на работата.

При почистване на вентилатора обърнете особено внимание на перките, ако са замърсени. В противен случай съществува опасност от дебалансиране и повишен шум, по-кратък експлоатационен живот на лагерите на мотора.

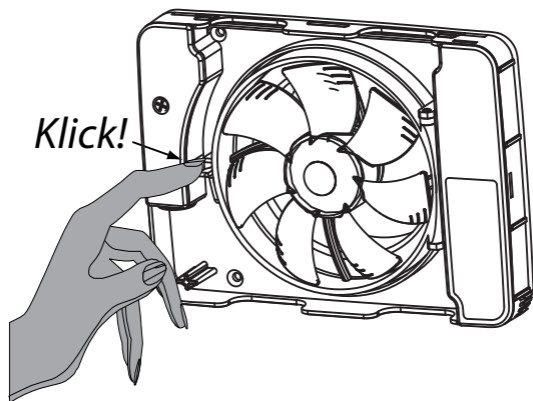
Почиствайте перките на вентилатора с четка.  
Почиствайте капака на вентилатора с кърпичка за полиране, овлажнена с вода, може да се добави неагресивен почистващ препарат.

Забележка! Не използвайте разтворители или подобни на тях продукти за частите на вентилатора, тъй като има опасност от повреждане на пластмасовите части на вентилатора!

Не потапяйте вентилатора във вода, тъй като има опасност от повреждане на мотора на вентилатора.

След почистване, върнете пръстена на мотора обратно и го фиксирайте чрез пръстеновидното закрепване. Включете пак многополюсния ключ чрез преместването му в положение 1 – ON.

**Ако не се извършва препоръчаната по-горе поддръжка, гаранцията на изделието ще бъде невалидна и ще се анулира.**



## ГАРАНЦИЯ

Предлагаме **5 години гаранция** срещу дефекти при производството.



За да бъде валидна гаранцията се изисква доказателство за покупката и вентилаторът:

- трябва да е бил сглобен и монтиран според ръководството за монтаж в това ръководство
- трябва да е бил поддържан в съответствие с указанията за поддръжка от това ръководство
- трябва да е бил монтиран в нормална жилищна среда
- трябва да е бил свързан към променливотокова мрежа 100-240 V
- не трябва да е бил подлаган на действието на мълнии или ненормални скокове на напрежението
- не трябва да е бил подлаган на манипулации
- трябва да е бил монтиран в зона, категория IP44
- не трябва да е бил монтиран в среда с температури над 50°C.

BG

**Рекламациите за продукта се правят в мястото на закупуването му.**

## РЕЦИКЛИРАНЕ

Продуктът има обозначение WEEE, което показва, че не трябва да се изхвърля като битов отпадък, а да се рециклира в подходящо местно място за рециклиране.

Fresh AB са член на шведската национална система за рециклиране съгласно Европейската директива за WEEE.



За допълнителна информация вижте [www.fresh.eu](http://www.fresh.eu)

## ПРИНАДЛЕЖНОСТИ

Предлагат се няколко принадлежности за Fresh Intel-livent, които да помогнат на потребителя да монтира лесно продукта. По-долу са дадени някои примери за принадлежности.

### Тръби

за размери  
100 и 125



### Пластина на капака

190 x 240 мм  
бяла и черна



### Пластмасова решетка

за размери  
100 и 125



### Метална решетка

за размери  
100 и 125



### Защита против студ

за размери  
100 и 125



### YVG100 и 125

Монтажен комплект  
при защита против студ.



За оптимална вентилация трябва да осигурите проникването на достатъчно количество въздух в банята. Това става или чрез отвор долу във вратата, или чрез монтиране на вентилационен отвор във вратата или стена.

Също така, важно е да постъпва свеж въздух в жилището, който след това да напуска банята или пералното помещение, например.

В този случай е добре да се монтират вентилационни отвори в спалните и дневната.

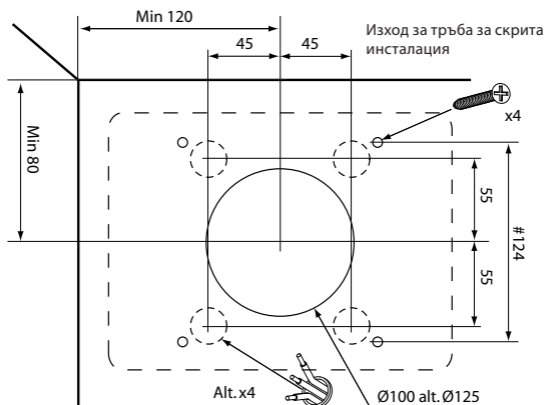
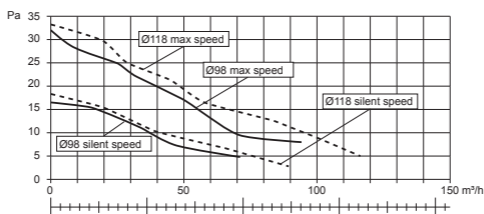
# ТЕХНИЧЕСКИ ДАННИ

Макс. капацитет	134 м <sup>3</sup> /ч
Ниво на звуковото налягане на 3 м (тих режим)	21 dB(A)
Консумация на енергия	2,1 - 5,5 W
Монтажни размери в стената	0 - 30 мм
Отвори	105 - 130 мм
Материал	ABS пластмаса
Клас защита	IP44
Клас изолация	□
Напрежение	100-240 V
Честота	50-60 Hz
Сертификати	Ⓢ CE

BG

Размери на въздуховода	Max/ Silent (Макс. / Тихо)	Капацитет (свободно обдуване)	Ниво на звуковото налягане на 3 м
Ø 98	Max (Макс.)	107 м <sup>3</sup> /ч	28 dB(A)
Ø 98	Silent (Тихо)	74 м <sup>3</sup> /ч	21 dB(A)
Ø 98	Постоянен	42 м <sup>3</sup> /ч	12 dB(A)
Ø 118	Max (Макс.)	134 м <sup>3</sup> /ч	29 dB(A)
Ø 118	Silent (Тихо)	86 м <sup>3</sup> /ч	21 dB(A)
Ø 118	Постоянен	55 м <sup>3</sup> /ч	13 dB(A)

## Капацитет



# **РЪКОВОДСТВО ЗА ОТСТРАНЯВАНЕ НА НЕИЗПРАВНОСТИ**

## **Вентилаторът не се пуска**

**Вентилаторът се пуска за първи път след монтажа:**

Проверете дали перките на вентилатора се въртят свободно.

Проверете положението на ключа за обезопасяване. Трябва да се намира в положение I – ON (ВКЛ.).

Спрете захранването на вентилатора – поставете ключа за обезопасяване в положение 0 – OFF (ИЗКЛ.) и го върнете в положение I – ON (ВКЛ.).

Проверете дали има напрежение на клемите L (извършва се само от електротехник).

Проверете дали нулата е свързана правилно чрез измерване на напрежението между L-N (извършва се само от електротехник).

**Вентилаторът е бил използван известно време:**

Проверете дали перките на вентилатора се въртят свободно.

Спрете захранването на вентилатора – поставете ключа за обезопасяване в положение 0 - OFF (ИЗКЛ.) и го върнете в положение I – ON (ВКЛ.).

Оставете вентилатора включен поне 3 секунди, преди да го включите отново.

**Вентилаторът е бил почистван**

Проверете дали перките на вентилатора се въртят свободно.

Проверете положението на ключа за обезопасяване. Трябва да се намира в положение I – ON (ВКЛ.).

**Вентилаторът работи непрекъснато**

**Синият светодиод свети непрекъснато**

*(ако вентилаторът не е спирал поне 24 часа)*

Проверете дали работи, като отворите вратата на банята и я оставите отворена поне половин час, за да се изравни нивото на влажността.

Спрете захранването на вентилатора – поставете ключа за обезопасяване в положение 0 –OFF (ИЗКЛ.) и го върнете в положение I – ON (ВКЛ.).



### **Жълтият светодиода свети непрекъснато**

Ако вентилаторът е свързан през външен ключ за управление от таймера, изключете го и изчакайте поне 30 минути.

Спрете захранването на вентилатора – поставете ключа за обезопасяване в положение 0 – OFF (ИЗКЛ.) и го върнете в положение I – ON (ВКЛ.).

BG

### **Няма включени светодиоди**

Това е нормално, ако вентилаторът е в режим на непрекъсната работа. В този режим не светят никакви светодиоди.

Ако вентилаторът не е в режим на непрекъсната работа, спрете захранването на вентилатора – поставете ключа за обезопасяване в положение 0 – OFF (ИЗКЛ.) и го върнете в положение I – ON (ВКЛ.).

### **Други проблеми**

Вентилаторът спира при изключване на осветлението. Вентилаторът е монтиран неправилно. Клемата L на клеморедата винаги трябва да е свързана директно към фазата.

*Обърнете се към електротехник.*

### **Вентилаторът спира при включване на осветлението.**

Вероятно вентилаторът е бил програмиран за пауза от ключа с моментално действие. Вижте стр. 11 за депрограмирането му.

### **Вентилаторът не работи нормално**

Свалете капака и спрете захранването на вентилатора – поставете ключа за обезопасяване в положение 0 (ИЗКЛ.). После го върнете в положение I (ВКЛ.).

*Ако вентилаторът пак не работи нормално, обърнете се към магазина или към Fresh с имейл до: [intellivent@fresh.se](mailto:intellivent@fresh.se).*

Děkujeme Vám, že jste si vybrali výrobek od firmy Fresh. Před instalací a použitím ventilátoru si přečtěte tento manuál a návod k použití. Poté ho uložte na bezpečné místo, abyste ho mohli případně použít v budoucnu.

## **Bezpečnostní informace!**

Děti starší 8 let stejně jako osoby se sníženými fyzickými, sensorickými nebo duševními schopnostmi nebo bez nezbytných zkušeností nebo znalostí mohou toto zařízení používat pouze pokud jsou pod dohledem nebo pokud mají dostačující pokyny jak používat zařízení bezpečně a rozumí souvisejícím rizikům. Děti si nesmí s tímto zařízením hrát. Čištění a údržba nesmí být prováděny dětmi bez dohledu.

# OBSAH

## 4 Popis funkcí

## 5 Návod k instalaci

1 Obsah

2 Instalace

3 Připojení

4 Možnosti instalace

5 Připojení šňůrového vypínače

6 Tovární nastavení

7 Funkce nastavení

## 10 Pokročilé funkce

- Nastavení režimu citlivosti na vlhkost
- Funkce přerušení s mžikovým spínačem

## 12 LED kontrolky

## 13 Údržba

## 15 Záruka

## 15 Recyklování

## 16 Příslušenství

## 17 Technické údaje

## 18 Návod na odstraňování závad

CZ

## POPIS FUNKCÍ

- **Automatický systém detekce vlhkosti**

Ventilátor Fresh Intellivent je vybaven plně automatickou kontrolou vlhkosti, což znamená, že ventilátor se spouští pouze v případě, kdy může zajistit změnu.

- **Časový spínač**

Volitelná doba zpoždění - 5, 15 nebo 30 minut.

- **Regulace otáček**

Zabudovaná regulace otáček umožňuje nastavení hladiny hluku a výkonu pro splnění Vašich potřeb.

- **Nepřetržitý provoz**

Nechte ventilátor v provozu nepřetržitě, jestliže potřebujete základní větrání v domácnosti.

Tím se také eliminuje riziko průvanu v případě upevnění na stěnu.

- **Funkce větrání**

Je-li ventilátor nečinný po dobu 26 hodin, spustí se větrací program po dobu 60 minut.

- **Funkce přerušení**

Ventilátor lze pozastavit na jednu hodinu pomocí napájecí šňůry.

- **Vícepolohový spínač**

Ventilátor je vybaven vícepolohovým spínačem, takže externí spínač není zapotřebí.

- **LED kontrolky**

Světelná dioda se třemi různými barvami indikuje, ve kterém režimu v dané chvíli ventilátor pracuje.

- **12-voltový motor**

Ventilátor je vybaven motorem s dlouhou životností přibližně 60 000 hodin. Tento typ motoru je také velmi tichý.

# NÁVOD K INSTALACI

## 1 Obsah

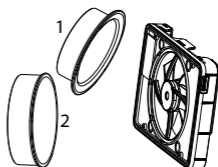
Balení musí obsahovat následující díly:

- Ventilátor
- 2 adaptéry, 1 x Ø98 mm a 1 x Ø118 mm
- Návod
- Sáček s příslušenstvím obsahující 4 šrouby a ucpávky, vypínací šňůru s přepínačem a izolaci pro standardní kabel (FK)

CZ

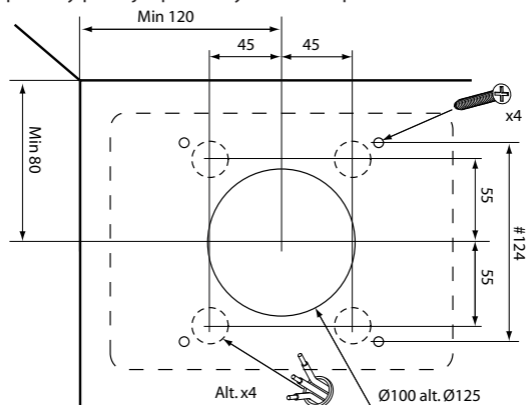
## 2 Instalace

Ventilátor je možno nainstalovat na zeď nebo na strop. Instalační rozměry jsou uvedeny ve schématu níže. Ventilátor nesmí být nainstalován v prostředí s teplotou vyšší než 50 °C. Na kostru ventilátoru připevněte vhodný adaptér Ø98 (1) pro kabelové vedení Ø100, nebo Ø118 (2) pro kabelové vedení Ø125.



Ventilátor lze také nainstalovat a používat bez adaptéru, takže je připevněn kompletně na povrchu, např. v případě vzduchovodů s průměrem pod Ø98.

Při instalaci ventilátoru zkontrolujte, zda je mezi trubkou / kabelovým vedením a zdí / stropem těsnění zabraňující průniku vlhkého vzduchu zdí nebo stropem. V případě potřeby použijte přiložený šroub a ucpávku.



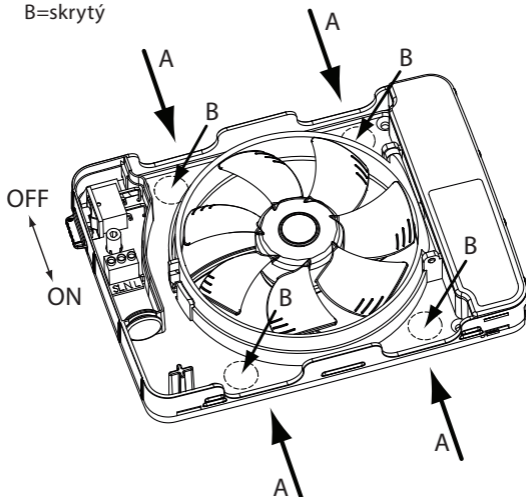
### 3 Elektroinstalace

- Instalační práce musí provádět kvalifikovaný elektrikář.
  - Ventilátor má dvojitou izolaci a nesmí být uzemněn.
  - Ventilátor je vybaven vícepolohovým vypínačem a nevyžaduje předem nainstalovaný externí vypínač.
- 1 Zatlačte vícepolohový spínač nahoru do polohy 0 - OFF (VYPNUTO).
  - 2 Kabel lze nainstalovat buď podél povrchu s pomocí vstupů A v rámu, nebo zapuštěně s pomocí vstupů B v rámu. Obě možnosti jsou zobrazeny níže. Použijte dodanou izolační objímku kabelu (FK).
  - 3 Použijete-li vstupy B, odstraňte skrytý kulatý plastový kryt poklepáním uvnitř vylamovacího otvoru směrem zevnitř k zadní straně, například pomocí šroubováku.

Kabelové vstupy

A=povrchový

B=skrytý



## 4 Možnosti instalace

Ventilátor lze nainstalovat jakýmkoliv ze tří způsobů v závislosti na požadované funkci, jak je uvedeno níže:

### 1 Pouze kontrola vlhkosti, viz schéma 1

Pro automatickou kontrolu vlhkosti je ventilátor připojen k trvalé fázi (L) a neutrálu (N).

Časový spínač lze aktivovat ručně nainstalováním vypínací šňůry a jejím zatažením (viz strana 8).

### 2 Kontrola vlhkosti + časový spínač se světelným spínačem, viz schéma 2

Pro automatickou kontrolu vlhkosti je ventilátor připojen k trvalé fázi (L) a neutrálu (N).

Spínací živý vodič (SL) je připojen pro aktivaci časového spínače ventilátoru, tzn. že pokud je zapnuto světlo v koupelně, je přiveden proud i do spínacího živého vodiče. Tato možnost je nastavena na 90 vteřinové zpoždění startu.

### 3 Kontrola vlhkosti + časový spínač se zpětným spínačem, viz schéma 3

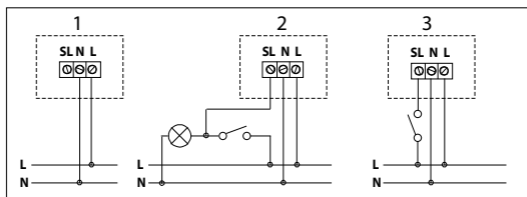
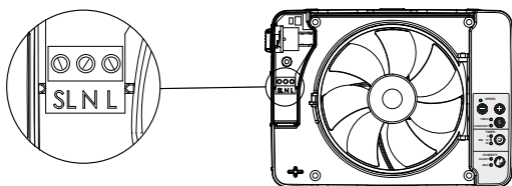
Pro automatickou kontrolu vlhkosti je ventilátor připojen k trvalé fázi (L) a neutrálu (N).

Spínací živý vodič (SL) je připojen pro aktivaci časového spínače ventilátoru přes zpětný vypínač.

Tato možnost umožňuje přímé spuštění ventilátoru.

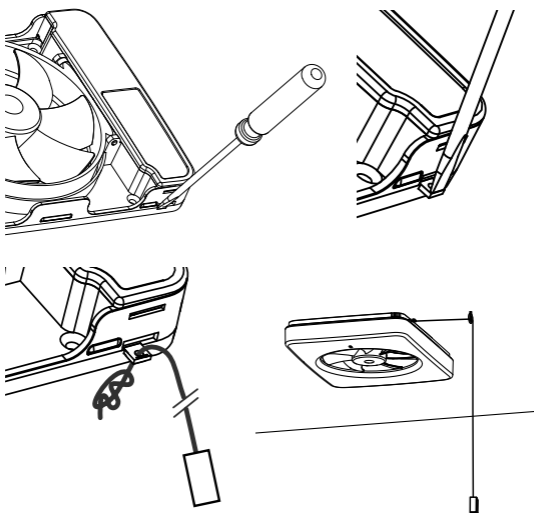
CZ

## Diagram zapojení



## 5 Propojení vypínače s tahací šňůrou

Tahací šňůru lze nainstalovat pro ruční aktivaci časového spínače nebo pro dočasné vypnutí ventilátoru. Odstraňte montážní desku pomocí šroubováku a otvorem provlékněte spínací šňůru.



- Jakmile je instalace dokončena, stlačte bezpečnostní spínač směrem dolů do polohy I – ON (ZAPNUTO), čímž se ventilátor znovu aktivuje.

*Ventilátor po připojení k napájení sám provede zkoušku, při které prověří elektronické součásti, LED kontrolky a provoz motoru. Nyní je ventilátor připraven k použití.*

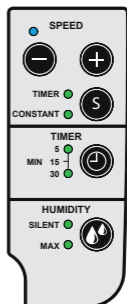


## 6 Tovární nastavení

- časový spínač - 5 minut
- otáčky pro odstranění vlhkosti - tichý chod (70% maxima)
- rychlost časového spínače - 70% maxima
- trvalý provoz - vypnuto

### Obnovení továrních nastavení

Podržte tlačítko S stisknuté po dobu minimálně 5 vteřin.



CZ

## 7 Funkce nastavení

*Možná nastavení pro splnění Vašich potřeb:*

### 1. Nastavení otáček ventilátoru pro činnost časovacího spínače.

Stiskněte tlačítko S a držte je stisknuté do doby, než se rozsvítí kontrolka časovacího spínače.

Použijte tlačítko SPEED pro nastavení otáček.

Obnovte tovární nastavení rychlosti časovacího spínače stisknutím obou tlačítek SPEED (RYCHLOST) současně.

### 2. Doba zpoždění

Nastavte časový spínač na 5, 15 nebo 30 minut.

### 3. Režim vlhkosti / vlhkost

Nastavte na tichý chod nebo maximální výkon - malá nebo velká koupelna.

### 4. Nepřetržitý provoz

Stiskněte tlačítko S a držte je stisknuté do doby, než se rozsvítí kontrolka "CONSTANT" (NEPŘETRŽITÝ). Zvolte rychlost otáčení ventilátoru s pomocí tlačítek SPEED (RYCHLOST).

Chcete-li vypnout nepřetržitý provoz: stiskněte tlačítko S, dokud kontrolka "CONSTANT" nezasvítí.

## POKROČILÉ FUNKCE

### Volba režimu citlivosti na vlhkost

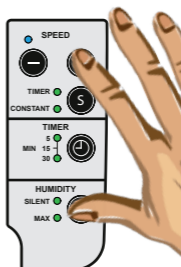
Prostředí koupelen se může lišit v množství faktorů: velikost místnosti, přítomnost jakékoli přirozené ventilace, teplota, apod. Tyto faktory mohou mít vliv na reakci ventilátoru na vlhkost, což může způsobit příliš rychlé nebo příliš pomalé spuštění.

**Tovární nastavení je poloha 2: normální odezva na vlhkost, která ve většině případů funguje nejlépe.**

Zařízení je vybaveno také možností úplného vypnutí funkce vlhkosti.

1) Stiskněte současně tlačítka Speed + a Humidity (*modrá a žlutá LED kontrolka rychle blikají*).

Stiskněte a držte tlačítko režimu vlhkosti, dokud nedojde ke zvolení požadovaného režimu citlivosti na vlhkost.



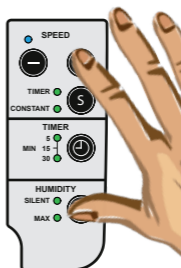
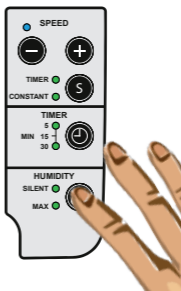
**Poloha 1:** LED kontrolka Silent (tichý chod) se rozsvítí – rychlá reakce na vlhkost.

**Poloha 2:** LED kontrolka Max (maximální výkon) se rozsvítí – normální reakce na vlhkost.

**Poloha 3:** LED kontrolky Silent a Max se rozsvítí současně - pomalá odezva na vlhkost.

**Poloha 4:** LED kontrolky Silent a Max zůstanou vypnuté - regulace vlhkosti je vypnuta.

2) Stiskněte současně tlačítka Speed + a Humidity (*modrá a žlutá LED kontrolka přestanou blikat*).



## Funkce přerušení pomocí mžikového spínače

Použitím externího mžikového spínače můžete zastavit ventilátor na jednu hodinu. Ten lze zapojit podle zobrazení ve schématu 3 na straně 7.

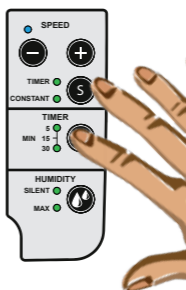
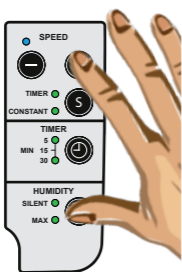
*Když je zvolena tato funkce, nemáte možnost použít zpožděné spuštění pomocí funkce spínacího živého vodiče (osvětlení) připojených k SL.*

### Aktivace

- 1 Stiskněte současně tlačítka Speed + a Humidity (modrá a žlutá LED kontrolka rychle blikají).
- 2 Stiskněte a přidržte tlačítko časového spínače po dobu 5 vteřin, dokud se nerozsvítí LED kontrolka pro 5 minut.
- 3 Stiskněte současně tlačítka Speed + a Humidity (modrá a žlutá LED kontrolka přestanou blikat).

### Deaktivace

- 1 Stiskněte současně tlačítka Speed + a Humidity (modrá a žlutá LED kontrolka rychle blikají).
- 2 Stiskněte a přidržte tlačítko časového spínače po dobu 5 vteřin, dokud nezhasnou všechny LED kontrolky chodu časového spínače.
- 3 Stiskněte současně tlačítka Speed + a Humidity (modrá a žlutá LED kontrolka rychle blikají).



## LED KONTROLKY

### LED - co dělá ventilátor?

Ventilátor Fresh Intellivent je vybaven třibarevnou LED kontrolkou:

Tyto tři barvy informují uživatele o tom, co dělá ventilátor a která funkce momentálně řídí motor.

- **Žádná LED kontrolka nesvíí**  
Ventilátor je vypnutý nebo je v nepřetržitém chodu.
- **Svíí modrá LED kontrolka**  
Ventilátor je v chodu – čidlo vlhkosti detekovalo zvýšenou vlhkost v místnosti.
- **Modrá LED kontrolka bliká**  
Ventilátor je v chodu - čidlo ventilátoru detekovalo, že může snížit referenční hodnoty pro vlhkost v místnosti.
- **Svíí žlutá LED kontrolka**  
Ventilátor je v chodu - byla aktivováno ovládání časovým spínačem.
- **Žlutá LED kontrolka bliká**  
Ovládání časovým spínačem se zpožděným startem bylo aktivováno světelným spínačem.  
LED kontrolka bliká po dobu 1,5 minuty před spuštěním ventilátoru.
- **Svíí rudá LED kontrolka**  
Ventilátor je v chodu - byla aktivována funkce větrání.
- **Modrá a žlutá kontrolka LED pomalu střídavě blikají**  
Byla aktivovány funkce přerušení.
- **Modrá a žlutá kontrolka LED rychle střídavě blikají**  
Byl aktivován režim programování.

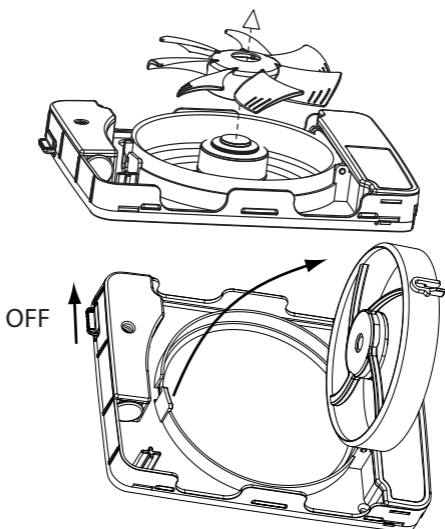
## ÚDRŽBA

Fresh Intellivent je zkonstruován pro účinnou práci po dobu mnoha let. Pokud má ventilátor správně pracovat, pak je třeba jej v pravidelných intervalech čistit. Tyto intervaly určuje doba provozu ventilátoru a kvalita vzduchu. Vyčistěte ventilátor nejméně dvakrát ročně nebo podle potřeby.

Odpojte napájení ventilátoru přepnutím vícepolohového vypínače do polohy O - OFF (VYPNUTO).

CZ

Ventilátor je vybaven odnímatelnou vrtulí. Stiskněte palcem ve středu, uchopte lopatky ventilátoru a vytáhněte vrtuli. „Vyklápěcí“ funkce ventilátoru je také užitečná, protože poskytuje snadný přístup ke vzduchovodu. Stiskněte zacvakávací přichycení montážního kroužku motoru a vykleňte motor / lopatky.



Vyčistěte kanálový vzduchovod / trubku, pokud je uvnitř nějaká nečistota.

Pokud neprovádíte tuto údržbu, může to časem vést ke snížení výkonu ventilátoru.

Při čištění ventilátoru byste měli největší pozornost věnovat nečistotám na lopatkách ventilátoru. V opačném případě je zde riziko nevyvážení, čímž se zvyšuje hlučnost

a snižuje životnost ložiska motoru.

Lopatky ventilátoru čistěte kartáčem nebo štětcem. Kryt ventilátoru vyčistěte tkaninou navlhčenou vodou, případně jemným čistícím prostředkem.

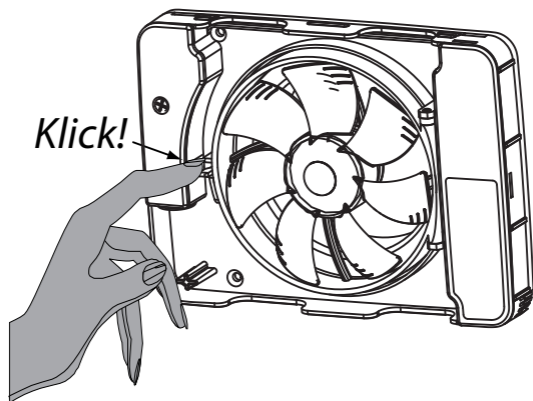
NB! Nikdy nepoužívejte rozpouštědla nebo jiné podobné výrobky na žádnou část ventilátoru, neboť hrozí nebezpeční poškození plastových dílů ventilátoru!

Nikdy nepotápějte ventilátor do vody, protože hrozí riziko zničení motoru ventilátoru.

Po vyčištění nasadte zpět montážní kroužek motoru a zajistěte ho západkou.

Znovu zapněte vícepolohový spínač přepnutím spínače dolů do polohy 1 - ON (zapnuto).

**Pokud není údržba ventilátoru prováděna podle výše uvedených pokynů, bude záruka na výrobek neplatná.**



## ZÁRUKA

Na výrobní závady poskytujeme **5-letou záruku**.



Pro uplatnění záruky musí být předložen důkaz o nákupu výrobku a ventilátor:

- musí být smontován a nainstalován v souladu s pokyny pro instalaci uvedenými v tomto manuálu
- musí být udržován podle pokynů pro údržbu uvedených v tomto manuálu
- musí být nainstalován v normálním obytném prostředí
- musí být připojeno k napětí 100-240 VAC
- nesmí být vystaven blesku nebo abnormálním proudovým nárazům
- nesmí být vystaven nepovolené manipulaci
- musí být nainstalován v zóně splňující podmínky IP44
- nesmí být nainstalován v prostředí, kde teplota přesahuje 50 °C.

CZ

**Reklamacie týkající se výrobku musí být uplatňovány v místě nákupu.**

## RECYKLOVÁNÍ

Výrobek je označen symbolem WEEE, což značí, že nesmí být likvidován společně s komunálním odpadem, ale musí být recyklován na místě určeném místními úřady pro recyklaci.

Firma Fresh AB je členem švédského národního recyklačního systému v souladu s evropskou směrnicí WEEE.



Více informací naleznete na [www.fresh.eu](http://www.fresh.eu)

## PŘÍSLUŠENSTVÍ

Pro Fresh Intellivent je k dispozici celá řada příslušenství, které Vám jako uživateli pomůže při hladké a snadné instalaci ventilátoru. Níže jsou uvedeny příklady některého příslušenství.

**Trubky**  
pro velikosti  
100 a 125



**Kryt**  
190 x 240 mm  
bílý a černý



**Plastová mřížka**  
pro velikosti  
100 a 125



**Kovová mřížka**  
pro velikosti  
100 a 125



**Ochrana proti nárazu chladu**  
pro velikosti  
100 a 125



**YVG100 a 125**  
Přívod s ochranou  
proti nárazu chladu.





Pro optimální ventilaci musíte zajistit přívod dostatečného množství vzduchu do koupelny. Toho lze dosáhnout buď vytvořením otvoru ve spodní část dveří, nebo instalací vzduchového průduchu ve dveřích nebo ve zdi.

Také je důležité zajistit přísun čerstvého vzduchu do domu, neboť tento vzduch je následně vytlačován z objektu přes koupelnu, nebo případně přes prádelnu.

V tomto případě je vhodné nainstalovat průduchy pro čerstvý vzduch v ložnicích a v obývacím pokoji.

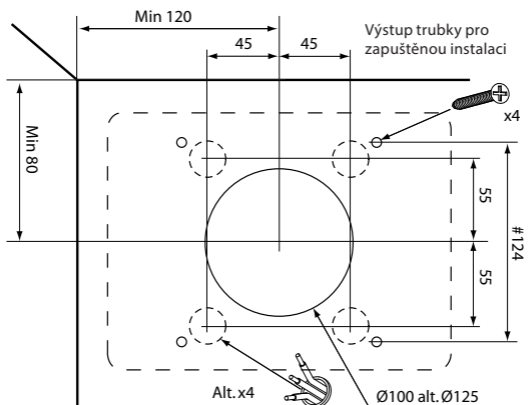
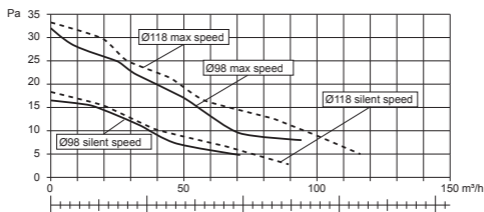


# TECHNICKÉ ÚDAJE

Maximální výkon	134 m <sup>3</sup> /h		
Tlaková hladina hluku 3 m (režim tichého chodu)	21 dB(A)		
Spotřeba energie	2,1 - 5,5 W		
Montážní rozměry při montáži na zeď	0 - 30 mm		
Otvory	105-130 mm		
Materiál	ABS plast		
Stupeň ochrany	IP44		
Třída izolace	□		
Napětí	100-240 V		
Frekvence	50-60 Hz		
Certifikáty	 		
Rozměry kanálového vzduchovodu	Max/ Silent	Výkon (volné vhnění vzduchu)	Tlaková hladina hluku 3 m
Ø 98	Max	107 m <sup>3</sup> /h	28 dB(A)
Ø 98	Silent	74 m <sup>3</sup> /h	21 dB(A)
Ø 98	Constant	42 m <sup>3</sup> /h	12 dB(A)
Ø 118	Max	134 m <sup>3</sup> /h	29 dB(A)
Ø 118	Silent	86 m <sup>3</sup> /h	21 dB(A)
Ø 118	Constant	55 m <sup>3</sup> /h	13 dB(A)

CZ

## Výkon



# NÁVOD NA ODSTRAŇOVÁNÍ ZÁVAD

## Ventilátor nejde spustit

**Ventilátor je nově nainstalovaný a ještě nebyl spuštěn:**

Zkontrolujte, zda se vrtule ventilátoru volně otáčí.

Zkontrolujte polohu bezpečnostního vypínače. Musí být v poloze I - ON (ZAPNUTO).

Odpojte napájení ventilátoru - přepněte bezpečnostní spínač do polohy 0 - OFF (VYPNUTO) a poté zpět do polohy I - ON (ZAPNUTO).

Zkontrolujte, zda je na svorkovnici L napětí (to může provádět pouze elektrikář).

Zkontrolujte, zda je neutrální vodič správně připojen proměřením napětí mezi L-N (to může provádět pouze elektrikář).

**Ventilátor byl po určitou dobu používán:**

Zkontrolujte, zda se vrtule ventilátoru volně otáčí.

Odpojte napájení ventilátoru - přepněte bezpečnostní spínač do polohy 0 - OFF (VYPNUTO) a poté zpět do polohy I - ON (ZAPNUTO).

Ponechte ventilátor vypnutý po dobu 3 vteřin a poté ho znovu zapněte.

**Ventilátor byl vyčištěn:**

Zkontrolujte, zda se vrtule ventilátoru volně otáčí.

Zkontrolujte polohu bezpečnostního vypínače. Musí být v poloze I - ON (ZAPNUTO).

**Ventilátor běží nepřetržitě**

**Modrá LED kontrolka trvale svítí**

*(Pokud ventilátor běžel nepřetržitě alespoň 24 hodin)*

Zkontrolujte, že ventilátor pracuje tak, že otevřete dveře do koupelny a ponecháte je otevřené alespoň půl hodiny, aby došlo k vyrovnání úrovně vlhkosti.

Odpojte napájení ventilátoru - přepněte bezpečnostní spínač do polohy 0 - OFF (VYPNUTO) a poté zpět do polohy I - ON (ZAPNUTO).

### **Žlutá LED kontrolka trvale svítí**

Pokud je ventilátor připojen k externímu vypínači pro ovládání časovým spínačem, pak tento spínač vypněte a počkejte alespoň 30 minut.

Odpojte napájení ventilátoru - přepněte bezpečnostní spínač do polohy 0 - OFF (VYPNUTO) a poté zpět do polohy I - ON (ZAPNUTO).

### **Žádná LED kontrolka nesvítí**

To je normální stav, pokud je ventilátor nastaven na nepřetržitý provoz. V tomto režimu nesvítí žádná LED kontrolka.

Pokud nebyl ventilátor nastaven na nepřetržitý provoz, odpojte napájení ventilátoru - přepněte bezpečnostní spínač do polohy 0 - OFF (VYPNUTO) a poté zpět do polohy I - ON (ZAPNUTO).

### **Ostatní závady**

Ventilátor se zastaví při vypnutí světla.

Ventilátor je nesprávně nainstalován. Svorka L ve svorkovnici musí být vždy připojena k přímé fázi.

*Spojte se s Vaším elektrikářem.*

### **Ventilátor se zastaví při zapnutí světla.**

Ventilátor byl pravděpodobně naprogramován na přestávku při mžikovém sepnutí. Přeprogramování viz strana 11

### **Ventilátor nepracuje podle popisu**

Odstraňte kryt a odpojte napájení ventilátoru přepnutím bezpečnostního vypínače do polohy 0. Poté vraťte vypínač do polohy I (Zapnuto).

*Pokud ventilátor stále nepracuje podle popisu v tomto návodu, obraťte se na prodejce nebo firmu Fresh zasláním emailu na adresu:  
[intellivent@fresh.se](mailto:intellivent@fresh.se).*

Dziękujemy za zakup produktu firmy Fresh.  
Przed instalacją i przystąpieniem do użytkowania wentylatora należy zapoznać się z niniejszą instrukcją.  
Instrukcję należy przechowywać w bezpiecznym miejscu, aby móc z niej skorzystać w przyszłości.

## **Informacje dotyczące bezpieczeństwa!**

Dzieci w wieku 8 i powyżej, a także osoby z zmniejszonymi zdolnościami fizycznymi sensorycznymi lub mentalnymi lub którzy nie posiadają niezbędnego doświadczenia i wiedzy, mogą używać urządzenia pod nadzorem lub po otrzymaniu wystarczających wskazówek dotyczących w jaki sposób bezpiecznie korzystać z urządzenia, i którzy zrozumieli związane z tym ryzyko. Dzieci nie mogą bawić się z tym urządzeniem. Czyszczenie i konserwacja nie może być wykonana przez dzieci bez nadzoru.

# SPIS TREŚCI

## 4 Opis funkcji

## 5 Wskazówki instalacyjne

- 1 Zawartość opakowania
- 2 Instalacja
- 3 Podłączenie
- 4 Możliwości instalacji
- 5 Podłączanie wyłącznika linkowego
- 6 Ustawienia fabryczne
- 7 Ustawienia funkcji

## 10 Funkcje zaawansowane

- Wybór trybu wrażliwości na wilgoć
- Aktywacja funkcji pauzy przy pomocy włącznika chwilowego

## 12 Kontrolki LED

## 13 Konserwacja

## 15 Gwarancja

## 15 Recykling

## 16 Akcesoria

## 17 Dane techniczne

## 18 Wykrywanie i usuwanie usterek

## OPIS FUNKCJI

- **Automatyczny układ wykrywania wilgoci**  
Wentylator Fresh Intellivent wyposażony jest w całkowicie automatyczny układ kontroli wilgotności. Oznacza to, że wentylator włącza się wyłącznie wtedy, gdy poprawi to jakość powietrza.
- **Timer**  
Możliwość wyboru czasu opóźnienia – 5, 15 lub 30 minut.
- **Sterowanie prędkością**  
Wbudowana funkcja sterowania prędkością pozwala na regulację poziomu hałasu i wydajności w zależności od potrzeb.
- **Praca ciągła**  
Pozostaw wentylator w trybie pracy ciągłej, jeśli chcesz zapewnić podstawową wentylację w domu. Tryb ten pozwala również wyeliminować ryzyko powstania przeciągów w przypadku montażu na ścianie.
- **Funkcja wietrzenia**  
Jeżeli wentylator nie był używany przez 26 godzin, program wietrzenia włączy się na 60 minut.
- **Funkcja pauzy**  
Pracę wentylatora można zatrzymać na godzinę za pomocą przewodu zasilającego.
- **Wyłącznik wielobiegunowy**  
Wentylator wyposażony jest w wyłącznik wielobiegunowy, dzięki któremu korzystanie z wyłącznika zewnętrznego nie jest wymagane.
- **Kontrolki LED**  
Trzykolorowa kontrolka LED wskazuje, w jakim trybie w danym momencie pracuje wentylator.
- **Silnik 12 V**  
Wentylator wyposażony jest w wytrzymały silnik o żywotności ok. 60 tys. godzin. Zapewnia on również cichą pracę.

# WSKAZÓWKI INSTALACYJNE

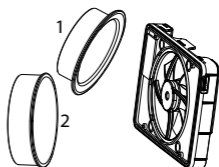
## 1 Zawartość opakowania

W opakowaniu powinny się znajdować następujące elementy:

- Wentylator
- 2 przejściówki – 1 x  $\varnothing$  98 mm i 1 x  $\varnothing$  118 mm
- Instrukcja
- Torebka z 4 śrubami i kołkami, wyłącznik linkowy z linką oraz izolacja do standardowego przewodu (FK)

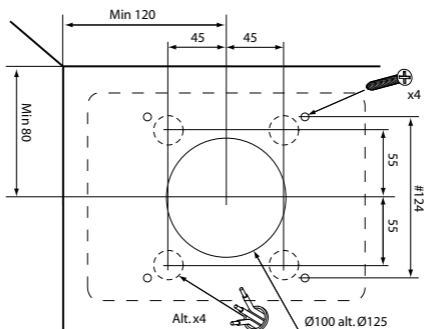
## 2 Instalacja

Wentylator można zainstalować zarówno na ścianie, jak i na suficie. Wymiary instalacyjne można znaleźć na poniższym schemacie. Wentylatora nie wolno instalować w miejscach, gdzie temperatura przekracza  $50^{\circ}\text{C}$ . Zamocuj do obudowy wentylatora odpowiednią przejściówkę,  $\varnothing$  98 (1) w przypadku kanału  $\varnothing$  100 lub  $\varnothing$  118 (2) w przypadku kanału  $\varnothing$  125.



Wentylator można również zainstalować i użytkować bez przejściówki, tak aby był umieszczony bezpośrednio na powierzchni np. w przypadku kanału o średnicy mniejszej niż  $\varnothing$  98

Przy instalacji wentylatora upewnij się, że między rurą/kanałem a ścianą/sufitem znajduje się uszczelnienie zapobiegające wnikaniu wilgotnego powietrza w głąb ściany lub sufitu. W razie potrzeby użyj załączonych śrub i kołków.



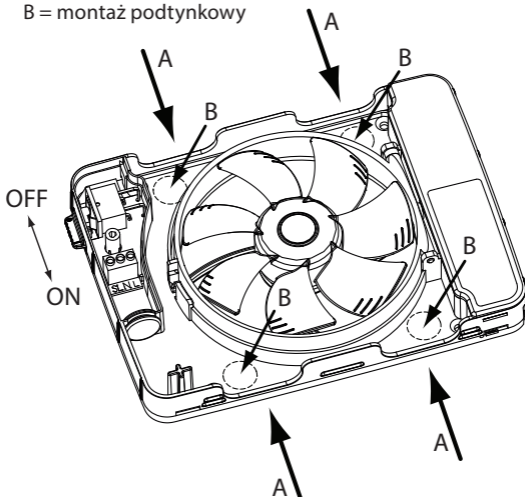
### 3 Podłączenie

- Instalacja powinna być przeprowadzona przez wykwalifikowanego elektryka.
  - Wentylator ma podwójną izolację i nie wolno podłączać go do uziemienia.
  - Wentylator wyposażony jest w wyłącznik wielobiegunowy i nie wymaga podłączania wyłącznika zewnętrznego.
- 1 Przesław wyłącznik biegunowy do położenia 0, czyli położenia wyłączenia (OFF).
  - 2 Przewód można przeprowadzić albo na powierzchni, korzystając z wlotów A w obudowie, albo pod tynkiem, korzystając z otworów B w obudowie. Obydwie opcje pokazano poniżej. Załóż załączoną koszulkę izolacyjną na przewód (FK).
  - 3 Jeśli korzystasz z otworów B, usuń ukrytą okrągłą plastikową pokrywę, uderzając w wylamywane wycięcie od strony wewnętrznej w kierunku do tyłu przy użyciu na przykład śrubokręta.

Wloty przewodów

A = powierzchnia

B = montaż podtynkowy





## 4 Możliwości instalacji

Wentylator można zainstalować na jeden z trzech dostępnych sposobów w zależności od wykorzystywanych funkcji, jak pokazano poniżej:

### 1 Wyłącznie kontrola wilgotności, patrz schemat 1

W celu automatycznego sterowania pracą wentylatora poprzez parametr wilgotności wentylator podłącza się do przewodu fazowego (L) i zerowego (N).

Timer włącza się ręcznie, pociągając za zamontowany w wentylatorze wyłącznik linkowy (patrz strona 8).

### 2 Kontrola wilgotności + timer przy użyciu włącznika światła, patrz schemat 2

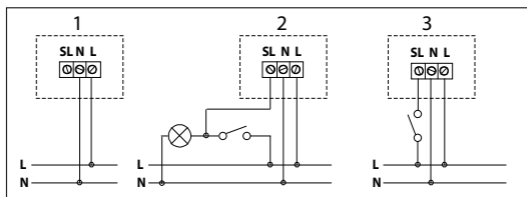
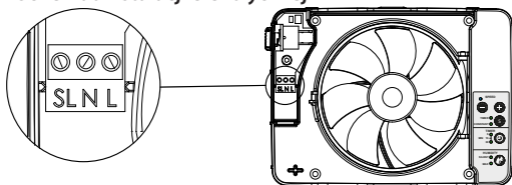
W celu automatycznego sterowania pracą wentylatora poprzez parametr wilgotności wentylator podłącza się do przewodu fazowego (L) i zerowego (N).

Przyłącze przewodu sterowania (SL) zostaje podłączone w celu aktywacji timera wentylatora – tzn. w momencie włączenia światła w łazience na złączu przewodu sterowania pojawia się prąd. Opcja ta pozwala na 90-sekundowe opóźnienie uruchomienia.

### 3 Kontrola wilgotności + timer przy użyciu włącznika dzwonekowego, patrz schemat 3

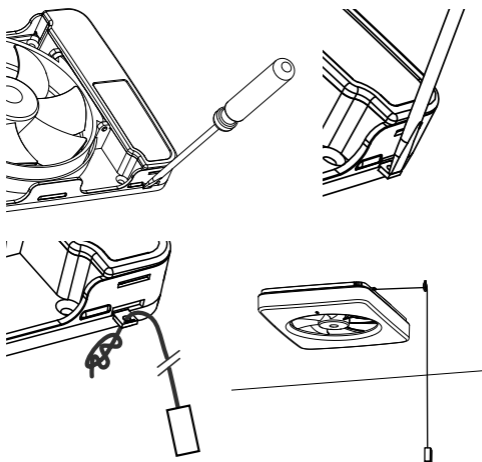
W celu automatycznego sterowania pracą wentylatora poprzez parametr wilgotności wentylator podłącza się do przewodu fazowego (L) i zerowego (N). Do przyłącza przewodu sterowania (SL) podłącza się włącznik dzwonekowy, który ma za zadanie aktywację timera w wentylatorze. Opcja ta zapewnia bezpośrednie włączenie wentylatora.

**Schemat instalacji elektrycznej**



## 5 Podłączanie wyłącznika linkowego

Wyłącznik linkowy można zainstalować w celu umożliwienia ręcznego włączania timera lub zatrzymywania pracy wentylatora. Usuń płytkę montażową za pomocą np. śrubokrętu, a następnie przeciągnij załączoną linkę wyłącznika linkowego przez otwór.



- Po zakończeniu instalacji przestaw wyłącznik bezpieczeństwa do położenia 1, aby ponownie włączyć wentylator.

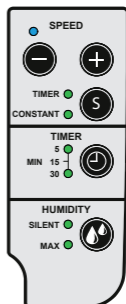
*Po podłączeniu wentylatora do zasilania urządzenie przeprowadza autotest, w trakcie którego sprawdzane jest działanie układu elektronicznego, lampek LED oraz silnika. Wentylator jest gotowy do użytku.*

## 6 Ustawienia fabryczne

- timer – 5 minut
- prędkość funkcji kontroli wilgotności – tryb cichy (70% wartości maksymalnej)
- prędkość funkcji timera – 70% wartości maksymalnej
- praca ciągła – wyłączona

### Przywrócenie ustawień fabrycznych

Wciśnij i przytrzymaj przycisk S przez 5 sekund.



## 7 Ustawienia funkcji

*Możliwość dopasowanie funkcji do potrzeb indywidualnych:*

### 1. Ustawienie prędkości wentylatora podczas korzystania z funkcji timera.

Wciskaj przycisk S aż zapali się dioda timera.

Skorzystaj z przycisków regulacji prędkości (SPEED), aby ustawić prędkość.

Przywróć fabryczną wartość prędkości timera, wciskając jednocześnie oba przyciski regulacji prędkości (SPEED).

### 2. Czas opóźnienia

Ustaw timer na 5, 15 lub 30 minut.

### 3. Funkcja kontroli wilgotności

Ustaw tryb cichy lub maksymalny – mała lub duża łazienka

### 4. Tryb pracy ciągłej

Wciskaj przycisk S, aż zapali się dioda wskazująca pracę ciągłą (CONSTANT). Wybierz prędkość wentylatora, korzystając z przycisków regulacji prędkości (SPEED).

Aby wyłączyć tryb pracy ciągłej: wciskaj przycisk S, aż dioda wskazująca pracę ciągłą (CONSTANT) zgaśnie.

## FUNKCJE ZAAWANSOWANE

### Wybór trybu wrażliwości na wilgoć

Warunki panujące w łazience zależą od wielu czynników: wielkości pomieszczenia, naturalnej wentylacji przeciągowej, temperatury itd. Czynniki te mogą wpływać na działanie trybu wrażliwości na wilgoć, przez co będzie on uruchamiał się zbyt szybko lub zbyt późno.

**Tryb ustawiony jest fabrycznie w położeniu 2: normalna reakcja wrażliwości na wilgoć, które w większości przypadków jest ustawieniem najbardziej optymalnym.**

Możliwe jest także całkowite wyłączenie funkcji.

1) Wciśnij jednocześnie przycisk sterowania prędkością SPEED + i funkcji kontroli wilgotności (HUMIDITY) (niebieska i żółta dioda szybko migają).

Wciskaj przycisk funkcji kontroli wilgotności (HUMIDITY), aż wybrany zostanie żądany tryb wrażliwości na wilgoć.

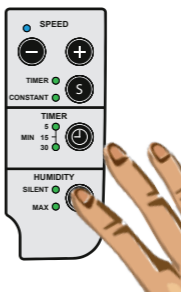
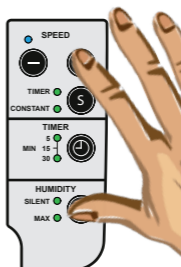
**Położenie 1:** dioda trybu cichego (SILENT) zapala się – krótki czas reakcji trybu wrażliwości na wilgoć.

**Położenie 2:** dioda trybu maksymalnego (MAX) zapala się – normalny czas reakcji trybu wrażliwości na wilgoć.

**Położenie 3:** diody trybu cichego (SILENT) i maksymalnego (MAX) zapalają się jednocześnie – długi czas reakcji trybu wrażliwości na wilgoć.

**Położenie 4:** diody trybu cichego (SILENT) i maksymalnego (MAX) pozostają wyłączone – wyłączenie trybu wrażliwości na wilgoć.

2) Wciśnij jednocześnie przycisk sterowania prędkością SPEED + i funkcji kontroli wilgotności (HUMIDITY) (niebieska i zielona dioda przestają migać).



## Aktywacja funkcji pauzy przy pomocy włącznika chwilowego

Pracę wentylatora można zatrzymać na jedną godzinę, korzystając z zewnętrznego włącznika chwilowego. Sposób podłączenia włącznika przedstawiono na schemacie 3, strona 7.

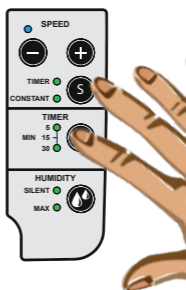
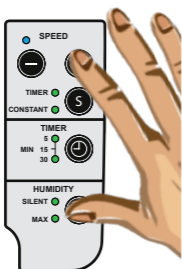
Po wybraniu tej funkcji nie będzie możliwe aktywowanie funkcji opóźnionego uruchomienia poprzez włącznik światła podłączony do przyłącza przewodu sterowania (SL)

### Włączanie

- 1 Wciśnij jednocześnie przyciski sterowania prędkością SPEED + i funkcji kontroli wilgotności (HUMIDITY) (niebieska i żółta dioda szybko migają).
- 2 Wciśnij i przytrzymaj przycisk timera (TIMER) przez 5 sekund, aż zaświeci się dioda wskazująca czas 5 minut.
- 3 Wciśnij jednocześnie przycisk sterowania prędkością SPEED + i funkcji kontroli wilgotności (HUMIDITY) (niebieska i zielona dioda przestają migać).

### Wyłączanie

- 1 Wciśnij jednocześnie przyciski sterowania prędkością SPEED + i funkcji kontroli wilgotności (HUMIDITY) (niebieska i żółta dioda szybko migają).
- 2 Wciśnij i przytrzymaj przycisk timera (TIMER) przez 5 sekund, aż wszystkie diody timera zgasną.
- 3 Wciśnij jednocześnie przyciski sterowania prędkością SPEED + i funkcji kontroli wilgotności (HUMIDITY) (niebieska i żółta dioda szybko migają).



## KONTROLKI LED

### LED – co robi wentylator?

Wentylator Fresh Intellivent wyposażony jest w trzykolorową kontrolę LED (kolor żółty, niebieski i fioletowy).

Trzy kolory mówią użytkownikowi, co robi wentylator i która funkcja steruje aktualnie silnikiem.

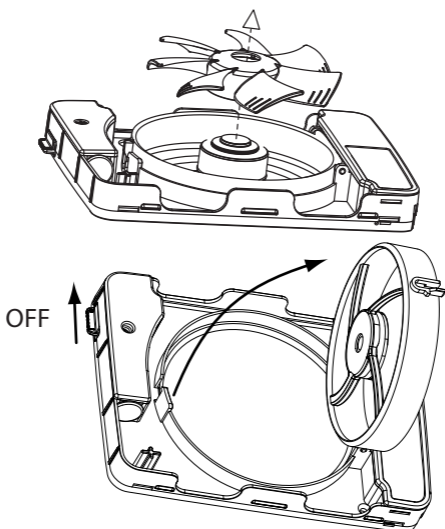
- **Nie świeci się żadna kontrolka LED**  
Wentylator jest wyłączony lub znajduje się w trybie pracy ciągłej.
- **Świeci się niebieska kontrolka LED**  
Wentylator jest włączony – czujnik wilgoci wykrył podwyższony poziom wilgoci w pomieszczeniu.
- **Miga niebieska kontrolka LED**  
Wentylator jest włączony – czujnik wentylatora wykrył, że można obniżyć wartość kontroli wilgotności w pomieszczeniu.
- **Świeci się żółta kontrolka LED**  
Wentylator jest włączony – włączone zostało sterowanie timerem.
- **Miga żółta kontrolka LED**  
Sterowanie timerem z opóźnionym włączeniem zostało włączone za pomocą włącznika światła.  
Kontrolka LED miga przez 1,5 minuty przed uruchomieniem się wentylatora.
- **Świeci się fioletowa kontrolka LED**  
Wentylator jest włączony – włączona została funkcja wietrzenia.
- **Żółta i niebieska kontrolka LED migają powoli, naprzemiennie**  
Funkcja pauzy została włączona.
- **Żółta i niebieska kontrolka LED migają szybko, naprzemiennie**  
Tryb programowania został włączony.

## KONSERWACJA

Konstrukcja wentylatora Fresh Intellivent zapewnia jego wydajną pracę przez wiele lat. Prawidłowe działanie wentylatora uzależnione jest od regularnego czyszczenia. Częstotliwość czyszczenia wentylatora zależy od czasu jego pracy i jakości powietrza. Wentylator należy czyścić w zależności od potrzeb, co najmniej dwa razy w roku.

Odłącz zasilanie wentylatora, przestawiając wyłącznik wielobiegunowy do położenia 0, czyli położenia wyłączenia (OFF).

Wentylator wyposażony jest w wyjmowany wirnik. Wciśnij kciukiem element środkowy, chwyć łopatki i wyciągnij wirnik. Bardzo użyteczna jest również funkcja odchylenia wentylatora, ponieważ zapewnia łatwy dostęp do kanału wentylacyjnego. Wciśnij zatrzask na pierścieniu, w którym osadzony jest silnik, i odchyl silnik wraz z łopatkami.



Usuń z kanału/rury nagromadzone zanieczyszczenia. W przeciwnym wypadku zachodzi ryzyko, że wentylator będzie pracował ze zmniejszoną wydajnością.

Przy czyszczeniu wentylatora należy zwrócić szczególną uwagę na czystość łopatek. Brudne łopatki mogą wpłynąć negatywnie na wyważenie wentylatora i spowodować głośniejszą pracę, skracając jednocześnie żywotność

łożysk silnika.

Wyczyść łopatki wentylatora szczotką lub pędzlem.

Pokrywę wentylatora przetrzyj wilgotną szmatką, ewentualnie z dodatkiem łagodnego detergentu.

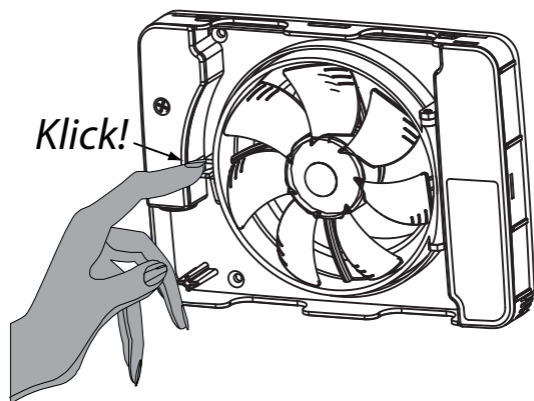
Uwaga! Pod żadnym pozorem nie wolno czyścić jakiegokolwiek części wentylatora rozpuszczalnikiem lub podobnym środkiem, ponieważ może uszkodzić elementy urządzenia wykonane z tworzywa sztucznego.

Nie wolno zanurzać wentylatora w wodzie, gdyż może to spowodować uszkodzenie silnika.

Po wyczyszczeniu odchyl pierścieni z silnikiem z powrotem do położenia roboczego i zabezpiecz, zatrzaskując.

Przestaw wyłącznik wielobiegunowy z powrotem do położenia 1, czyli położenia włączenia (ON).

**Zaniechanie konserwacji wentylatora zgodnie z powyższymi wskazówkami spowoduje unieważnienie gwarancji.**





## GWARANCJA

Produkt objęty jest **5-letnią gwarancją** na wady fabryczne.



Gwarancja jest ważna pod warunkiem okazania dowodu zakupu. Ponadto wentylator:

- należy zmontować i zainstalować zgodnie ze wskazówkami zawartymi w niniejszej instrukcji
- należy poddawać czynnościom konserwacyjnym zgodnie ze wskazówkami zawartymi w niniejszej instrukcji
- należy zamontować w normalnych warunkach panujących w lokalu mieszkalnym
- należy podłączyć do napięcia 100-240 V AC
- nie może być narażony na działanie piorunów ani udarów prądowych
- nie może być poddawany przeróbkom
- należy zamontować w strefie określonej jako IP44
- nie może być zainstalowany w miejscu, gdzie temperatura przekracza 50 °C.

PL

**Reklamacje należy składać w miejscu zakupu produktu.**

## RECYKLING

Produkt ma oznaczenie WEEE, które wskazuje, że nie można utylizować go wraz z odpadami z gospodarstw domowych. Produkt musi być poddany recyklingowi w odpowiednim punkcie recyklingu znajdującym się w miejscu zamieszkania.

Firma Fresh AB jest członkiem szwedzkiego narodowego systemu recyklingu, zgodnie z europejską dyrektywą WEEE.



Aby uzyskać więcej informacji, odwiedź stronę [www.fresh.eu](http://www.fresh.eu)

## AKCESORIA

Do wentylatora Fresh Intellivent dostępnych jest szereg akcesoriów ułatwiających montaż. Poniżej znaleźć można kilka przykładów akcesoriów.

### Rura

w rozmiarach  
100 i 125



### Pokrywa czołowa

190 x 240 mm  
biała i czarna



### Kratka z tworzywa sztucznego

w rozmiarach  
100 i 125



### Kratka metalowa

w rozmiarze  
100 i 125



### Zabezpieczenie przed gwałtownym spadkiem temperatury

w rozmiarze 100 i 125



### YVG100 i 125

Przepust z zabezpieczeniem przed gwałtownym spadkiem temperatury



W celu zapewnienia optymalnej wentylacji należy zadbać o odpowiednią ilość powietrza wpływającego do łazienki. Można tego dokonać, wykonując otwór w dole drzwi lub montując nawiew w drzwiach lub ścianie.

Ważne jest także zapewnienie dopływu świeżego powietrza do domu, które jest następnie usuwane przez na przykład łazienkę lub pralnię.

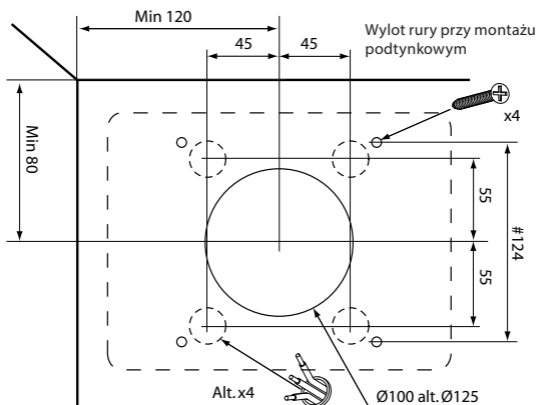
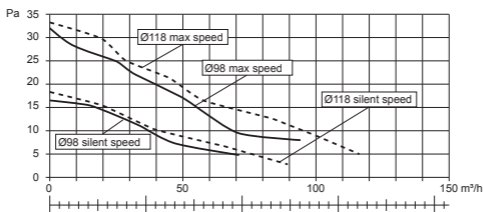
W takim przypadku dobrze jest zainstalować nawiewy świeżego powietrza w sypialniach i pokoju dziennym.

## DANE TECHNICZNE

Maksymalna wydajność	134 m <sup>3</sup> /h		
Poziom ciśnienia akustycznego 3 m (tryb cichy)	21 dB(A)		
Zużycie energii	2,1-5,5 W		
Głębokość montażu w ścianie	0 - 30 mm		
Otworki	105-130 mm		
Materiał	tworzywo ABS		
Klasa szczelności	IP44		
Klasa izolacji	□		
Napięcie	100-240 V		
Częstotliwość	50-60 Hz		
Świadectwa	 		
Wymiary przewodów	Tryb maksymalny/cichy	Wydajność (przedmuchi swobodny)	Poziom ciśnienia akustycznego 3 m
Ø 98	Maksymalny	107 m <sup>3</sup> /h	28 dB(A)
Ø 98	Cichy	74 m <sup>3</sup> /h	21 dB(A)
Ø 98	Ciągły	42 m <sup>3</sup> /h	12 dB(A)
Ø 118	Maksymalny	134 m <sup>3</sup> /h	29 dB(A)
Ø 118	Cichy	86 m <sup>3</sup> /h	21 dB(A)
Ø 118	Ciągły	55 m <sup>3</sup> /h	13 dB(A)

PL

## Wydajność



## **WYKRYWANIE I USUWANIE USTEREK**

### **Wentylator nie chce się uruchomić**

**Wentylator został właśnie zamontowany i nie był jeszcze włączany:**

Sprawdź, czy wirnik wentylatora obraca się swobodnie.

Sprawdź położenie wyłącznika bezpieczeństwa. Powinien znajdować się on w położeniu 1, czyli włączonym (ON).

Odłącz zasilanie wentylatora. Przetaw wyłącznik bezpieczeństwa do położenia 0, czyli położenia wyłączenia (OFF), a następnie z powrotem do położenia 1 (ON).

Sprawdź, czy w przyłączy L jest zasilanie (czynność może wykonać tylko elektryk).

Sprawdź prawidłowość podłączenia przewodu zerowego, mierząc napięcie na L-N (czynność może wykonać tylko elektryk).

**Wentylator jest użytkowany od jakiegoś czasu:**

Sprawdź, czy wirnik wentylatora obraca się swobodnie.

Odłącz zasilanie wentylatora. Przetaw wyłącznik bezpieczeństwa do położenia 0, czyli położenia wyłączenia (OFF), a następnie z powrotem do położenia 1 (ON).

Zostaw wentylator wyłączony na około 3 sekundy przed ponownym włączeniem.

**Wentylator właśnie został wyczyszczony**

Sprawdź, czy wirnik wentylatora obraca się swobodnie

Sprawdź położenie wyłącznika bezpieczeństwa. Musi znajdować się on w położeniu 1, czyli w położeniu włączonym (ON).

**Wentylator pracuje non-stop**

**Niebieska kontrolka LED jest stale włączona**

*(Jeśli wentylator pracował non-stop przez co najmniej 24 godziny.)*

Sprawdź działanie wentylatora, otwierając drzwi łazienki na co najmniej pół godziny w celu wyrównania poziomu wilgotności.

Odłącz zasilanie wentylatora. Przetaw wyłącznik bezpieczeństwa do położenia 0, czyli położenia wyłączenia (OFF), a następnie z powrotem do położenia 1 (ON).

### **Żółta kontrolka LED jest stale włączona**

Jeśli wentylator jest podłączony do zewnętrznego wyłącznika, który ma za zadanie sterować timerem, wyłącz wyłącznik i odczekaj co najmniej 30 minut.

Odłącz zasilanie wentylatora. Przesław wyłącznik bezpieczeństwa do położenia 0, czyli położenia wyłączenia (OFF), a następnie z powrotem do położenia 1 (ON).

### **Nie świeci się żadna kontrolka LED**

Jest to normalne, jeśli włączony jest tryb pracy ciągłej wentylatora. W tym trybie nie świeci się żadna kontrolka LED.

Jeśli tryb pracy ciągłej wentylatora nie jest włączony, odłącz zasilanie, a następnie przesław wyłącznik bezpieczeństwa do położenia 0, czyli położenia wyłączenia (OFF), a następnie z powrotem do położenia 1 (ON).

### **Inne usterki**

Wentylator wyłącza się wraz z wyłączeniem światła. Wentylator został nieprawidłowo zainstalowany. Do przyłącza L w bloku przyłączy zawsze musi być podłączona bezpośrednia faza.

*Skontaktuj się z elektrykiem.*

### **Wentylator wyłącza się wraz z włączeniem światła.**

Prawdopodobnie zostało zaprogramowane zatrzymanie pracy wentylatora wraz z aktywacją wyłącznika chwilowego. Aby przeprogramować, patrz strona 11

### **Wentylator nie pracuje zgodnie z opisem**

Zdejmij pokrywę i odłącz zasilanie wentylatora, przesuwając wyłącznik bezpieczeństwa w położenie 0. Następnie ponownie przesunąć wyłącznik w położenie I.

*Jeśli wentylator nadal nie pracuje zgodnie z opisem w niniejszej instrukcji, należy skontaktować się z punktem sprzedaży lub firmą Fresh, wysyłając wiadomość e-mail na adres: [intellivent@fresh.se](mailto:intellivent@fresh.se).*

Благодарим вас за выбор оборудования производства компании Fresh.

Перед установкой и использованием вентилятора прочитайте это руководство по эксплуатации. Затем храните его в надежном месте, чтобы можно было воспользоваться им в будущем для получения справок.

## **Информация о безопасности!**

Дети старше 8 лет, а также лица с недостаточными физическими, сенсорными или умственными способностями, либо не имеющие необходимого опыта или знаний, допускаются к работе с этим оборудованием под присмотром или после достаточных разъяснений о безопасной работе с этим оборудованием, и при условии понимания рисков, связанных с этой работой. Игра детей с этим оборудованием не допускается. К очистке и техобслуживанию дети без присмотра не допускаются.

# СОДЕРЖАНИЕ

## 4 Описание функций

## 5 Инструкции по установке

- 1 Содержание
- 2 Установка
- 3 Подключение
- 4 Варианты установки
- 5 Подключение шнуrowого выключателя
- 6 Заводские настройки
- 7 Настройка функций

## 10 **Дополнительные функции**

- Настройка режима восприятия влажности
- Функция паузы с использованием выключателя без фиксации

## 12 **Светодиодные индикаторы**

## 13 **Техническое обслуживание**

## 15 **Гарантийные обязательства**

## 15 **Утилизация**

## 16 **Дополнительные принадлежности**

## 17 **Технические данные**

## 18 **Указания по поиску и устранению неисправностей**

RU

## ОПИСАНИЕ ФУНКЦИЙ

- **Автоматическая система определения влажности**  
Вентилятор Fresh Intellivent оборудован полностью автоматической функцией регулирования влажности, а это означает, что вентилятор определяет время включения, когда его работа необходима.
- **Таймер**  
Выбираемое время задержки — 5, 15 или 30 минут.
- **Регулирование частоты вращения**  
Встроенный регулятор частоты вращения позволяет регулировать уровень шума и производительность в соответствии с вашими потребностями.
- **Непрерывная работа**  
Оставьте вентилятор в режиме непрерывной работы, если вам требуется стабильная вентиляция в доме. Это также устраняет риск сквозняков в случае настенного монтажа.
- **Функция вентилирования**  
Если вентилятор не работает в течение 26 часов, запускается и в течение 60 минут будет работать программа вентилирования.
- **Функция паузы**  
Работу вентилятора можно приостановить на один час с помощью шнуrowого выключателя.
- **Многополюсный выключатель**  
Вентилятор оснащен многополюсным выключателем, и поэтому внешний выключатель не требуется.
- **Светодиодные индикаторы**  
Светодиоды с тремя разными цветами показывают, в каком режиме вентилятор находится в каждый конкретный момент времени.
- **12-вольтовый электродвигатель**  
Электродвигатель рассчитан на длительный срок службы и имеет ресурс прибл. 60 000 часов. Кроме того, электродвигатель этого типа отличается бесшумной работой.



# ИНСТРУКЦИИ ПО УСТАНОВКЕ

## 1 Содержание

В комплект поставки входят следующие позиции:

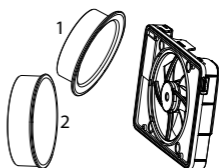
- Вентилятор
- 2 переходника, 1 шт. Ø98 мм и 1 шт. Ø118 мм
- Руководство
- Сумка для принадлежностей с 4 винтами и заглушками, шнуровой выключатель и трубчатая изоляция для стандартного кабеля (FK).

## 2 Установка

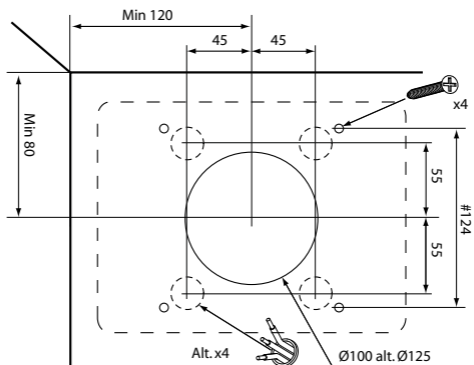
Вентилятор можно установить на стену или на потолок. Установочные размеры — см. схему ниже. Вентилятор не следует устанавливать в среде, где температура превышает 50 °С. Закрепите подходящий переходник на корпус вентилятора, Ø98

(1) для воздуховода Ø100 или Ø118 (2) для воздуховода Ø125.

Вентилятор также можно установить и использовать без переходника; при этом он весь устанавливается на поверхность, например, в случае воздуховодов диаметром меньше 98 мм.



Во время установки вентилятора убедитесь в том, что между трубой/воздуховодом и стеной/потолком находится уплотнение во избежание попадания влажного воздуха на стену или потолок. При необходимости используйте винт и заглушку из комплекта.



RU

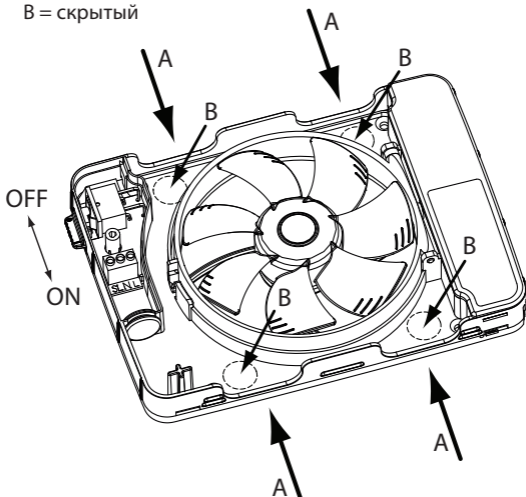
### 3 Электропроводка

- Работы по установке должны выполняться квалифицированным электриком.
  - Вентилятор имеет двойную изоляцию и не требует заземления.
  - Вентилятор оснащен многополюсным выключателем и не требует предварительно смонтированного внешнего выключателя.
- 1 Переведите многополюсный выключатель вверх в положение О (выкл.).
  - 2 Кабель может проходить либо вдоль поверхности через отверстия А в корпусе, либо его можно скрыть, используя отверстия В в корпусе. Оба варианта показаны ниже. Используйте входящую в комплект поставки трубчатую изоляцию для кабеля (FK).
  - 3 Если используется одно из отверстий В, снимите скрытую круглую пластиковую крышку, например, поддев отверткой изнутри выламываемой выемки.

Кабельные вводы

А = внешний

В = скрытый



## 4 Варианты установки

Вентилятор можно установить любым из трех способов в зависимости от желаемой функции, как подробно описано ниже:

### 1 Только регулирование влажности, см. схему 1

Для автоматического регулирования влажности вентилятор подключается к постоянной фазе (L) и нейтрали (N). Таймер можно включить вручную, установив шнуровой выключатель и дернув за него (см. стр. 8).

### 2 Регулирование влажности + таймер со световым выключателем, см. схему 2

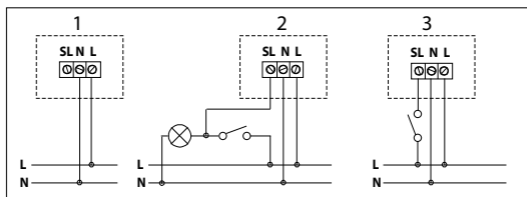
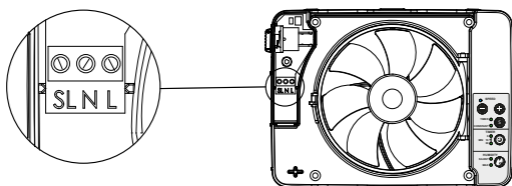
Для автоматического регулирования влажности вентилятор подключается к постоянной фазе (L) и нейтрали (N). Переключаемая фаза (SL) подключается для активации таймера вентилятора, т. е. когда свет в ванной включен, ток присутствует в переключаемой фазе. Этот вариант предоставляет 90-секундную задержку перед пуском вентилятора.

RU

### 3 Контроль влажности + таймер с выключателем без фиксации, см. схему 3

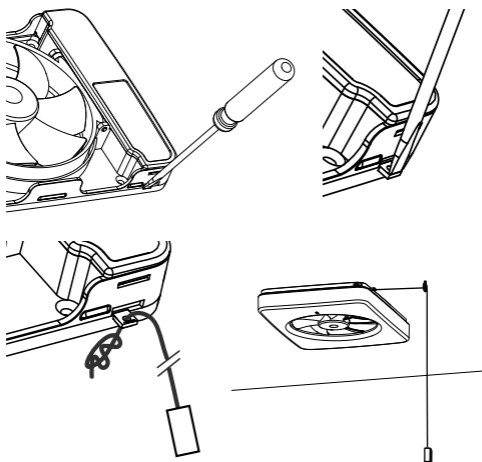
Для автоматического регулирования влажности вентилятор подключается к постоянной фазе (L) и нейтрали (N). Переключаемая фаза (SL) подключается для активации таймера вентилятора с помощью выключателя без фиксации. Этот вариант обеспечивает прямой пуск вентилятора.

Схема подключения



## 5 Подключение шнуrowого выключателя

Можно установить шнуровой выключатель для ручного включения таймера или приостановки работы вентилятора. Снимите, например, с помощью отвертки монтажную панель и проденьте входящий в комплект шнур через отверстие.

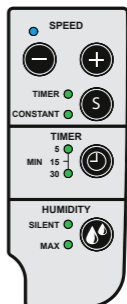


- После завершения установки переведите защитный выключатель вниз в положение I (вкл.), чтобы снова включить вентилятор.

*Когда вентилятор подключается к линии питания, он выполняет самопроверку, в ходе которой тестируются все электронные устройства, светодиоды и работа электродвигателя. Теперь вентилятор готов к работе.*

## 6 Заводские настройки

- Таймер — 5 минут.
- Частота вращения для регулирования влажности — silent (бесшумная работа) (70 % от макс.).
- Частота вращения для работы таймера — 70 % от макс.
- Непрерывная работа — выкл.



### Восстановление заводских настроек

Нажмите и удерживайте кнопку S в течение как минимум 5 секунд.

RU

## 7 Настройка функций

*Возможная адаптация в соответствии в вашими потребностями:*

### 1. Настройка частоты вращения вентилятора для работы таймера.

Нажмите кнопку S и удерживайте до тех пор, пока не загорится индикатор таймера.

Используя кнопки SPEED (СКОРОСТЬ), задайте частоту вращения.

Для восстановления заводской настройки частоты вращения для работы таймера нажмите одновременно обе кнопки SPEED (СКОРОСТЬ).

### 2. Время задержки

Настройте таймер на 5, 15 или 30 минут.

### 3. Режим влажности/влажность

Настройте на бесшумный режим или максимальную производительность — для маленькой или большой ванной комнаты.

### 4. Непрерывная работа

Нажмите кнопку S и удерживайте ее нажатой до тех пор, пока не загорится индикатор "CONSTANT" (НЕПРЕРЫВНО). Выберите частоту вращения вентилятора с помощью кнопок SPEED (СКОРОСТЬ).

Для выключения непрерывной работы нажмите кнопку S и удерживайте до тех пор, пока индикатор «CONSTANT» (НЕПРЕРЫВНО) не погаснет.

## ДОПОЛНИТЕЛЬНЫЕ ФУНКЦИИ

### Выбор режима восприятия влажности

Микроклимат в ванной комнате может варьироваться в зависимости от ряда факторов: размера помещения, наличия какой-либо вентиляции с естественной тягой и т. п. Эти факторы оказывают влияние на реакцию вентилятора на влажность, заставляя его запускаться слишком быстро или слишком медленно.

**Заводская настройка** — это положение 2: нормальная реакция на влажность; она лучше всего работает в большинстве случаев.

Также существует возможность полного выключения функции восприятия влажности.

1) Нажмите одновременно кнопки Speed (Скорость) и Humidity Mode (Режим влажности) (синий и желтый светодиоды быстро мигают).

Нажмите кнопку Humidity Mode (Режим влажности) и держите ее нажатой до тех пор, пока не будет выбран желаемый режим восприятия влажности.

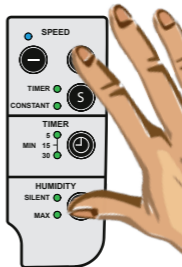
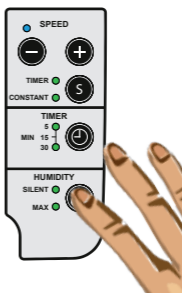
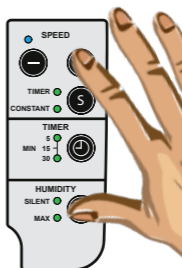
**Позиция 1:** Светодиод Silent (Бесшумная работа) горит — быстрая реакция на влажность.

**Позиция 2:** Светодиод Max (Максимум) горит — нормальная реакция на влажность.

**Позиция 3:** Светодиоды Silent (Бесшумная работа) и Max (Максимум) горят вместе — медленная реакция на влажность.

**Позиция 4:** Оба светодиода, Silent (Бесшумная работа) и Max (Максимум), остаются выключенными — регулирование влажности отключено.

2) Нажмите одновременно кнопки Speed (Скорость) и Humidity Mode (Режим влажности) (синий и желтый светодиоды прекращают мигать).



## Функция паузы с использованием выключателя без фиксации

Вы можете приостановить работу вентилятора на один час с помощью внешнего выключателя без фиксации. Его можно подключить, как показано на схеме 3 на стр. 7.

*Когда выбрана эта функция, вы не сможете использовать задержанный пуск с помощью функции с переключаемой фазой (освещения), подключаемой к SL.*

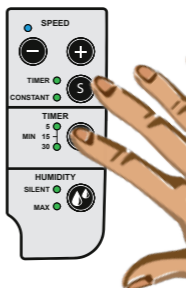
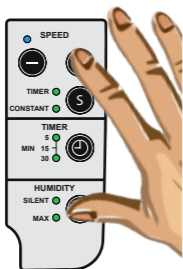
### Активация

- 1 Нажмите одновременно кнопки Speed (Скорость) и Humidity Mode (Режим влажности)(синий и желтый светодиоды быстро мигают).
- 2 Нажмите кнопку таймера и удерживайте ее нажатой в течение 5 секунд, пока не загорится светодиод, соответствующий 5 минутам.
- 3 Нажмите одновременно кнопки Speed (Скорость) и Humidity Mode (Режим влажности)(синий и желтый светодиоды прекращают мигать).

RU

### Отключение

- 1 Нажмите одновременно кнопки Speed (Скорость) и Humidity Mode (Режим влажности) (синий и желтый светодиоды быстро мигают).
- 2 Нажмите кнопку таймера и удерживайте ее нажатой в течение 5 секунд, пока не загорятся светодиоды работы таймера.
- 3 Нажмите одновременно кнопки Speed (Скорость) и Humidity Mode (Режим влажности) (синий и желтый светодиоды быстро мигают).



# СВЕТОДИОДНЫЕ ИНДИКАТОРЫ

## Светодиодные индикаторы как показатели работы вентилятора

Вентилятор Fresh Intellivent оснащен светодиодными индикаторами трех цветов: желтым, синим и пурпурным.

Эти три цвета обозначают выполняемые вентилятором функции, а также функцию, в данное время контролирующую электродвигатель.

- **Светодиод не горит**  
Вентилятор выключен или работает непрерывно.
- **Горит синий светодиод**  
Вентилятор работает — датчик влажности обнаружил увеличение влажности в помещении.
- **Мигает синий светодиод**  
Вентилятор работает — датчик влажности обнаружил, что он может уменьшить свои контрольные значения для влажности в помещении.
- **Горит желтый светодиод**  
Вентилятор работает — было активировано управление по таймеру.
- **Мигает желтый светодиод**  
Управление по таймеру с задержкой пуска было активировано с помощью светового выключателя. Светодиод мигает в течение 1,5 минут до пуска вентилятора.
- **Горит пурпурный светодиод**  
Вентилятор работает — была активирована функция вентилирования.
- **Желтый и синий светодиоды медленно поочередно мигают**  
Была активирована функция паузы.
- **Желтый и синий светодиоды быстро поочередно мигают**  
Был активирован режим программирования.

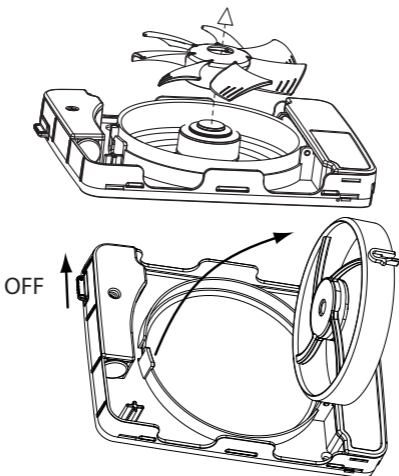


## ТЕХНИЧЕСКОЕ ОБСЛУЖИВАНИЕ

Вентилятор Fresh Intellivent разработан для эффективной многолетней работы. Для обеспечения правильной работы вентилятор необходимо периодически очищать. Эти периоды определяются продолжительностью работы вентилятора и качеством воздуха. Вентилятор следует очищать как минимум дважды в год или при необходимости.

Отключите подачу питания на вентилятор путем перевода многополюсного выключателя в положение О (выкл.).

Вентилятор оснащен съемной крыльчаткой. Нажмите на центр большим пальцем, возьмитесь за лопасти вентилятора и снимите крыльчатку. Удобная функция «откидывания» открывает простой доступ к воздуховоду. Нажмите на защелкивающийся замок крепежного кольца электродвигателя и откиньте электродвигатель/крыльчатку.



Очистите воздуховод/трубопровод, если внутри скопилась грязь. Несоблюдение этого требования может привести к ухудшению эффективности.

Во время очистки вентилятора особое внимание обращайте на лопасти, если они загрязнены. В противном случае существует опасность разбалансировки и, как следствие, повышения уровня

RU

шума и уменьшения срока службы подшипников электродвигателя.

Очистите лопасти вентилятора щеткой или кисточкой. Очистите крышку вентилятора полировальной тканью, смоченной водой с возможным дополнением мягкого чистящего средства.

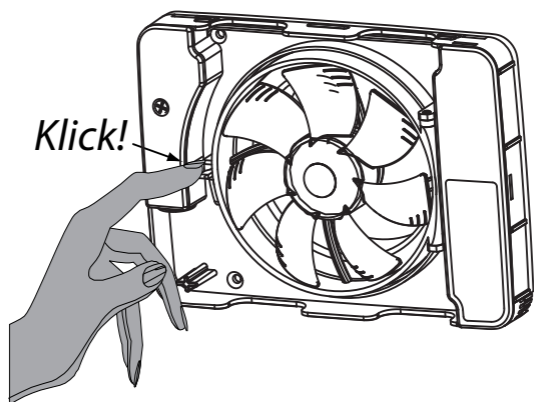
**Внимание!** Не допускается попадание растворителя или аналогичных средств на какую-либо часть вентилятора, поскольку они могут повредить пластиковые элементы вентилятора!

Не допускается полностью погружать вентилятор в воду, это может повредить электродвигатель вентилятора.

После очистки верните крепежное кольцо электродвигателя на место и закрепите его защелкивающимся замком.

Снова включите многополюсный выключатель, переведя его вниз в положение I (вкл.).

**Если техническое обслуживание вентилятора не выполняется как указано выше, действие гарантии на изделие прекращается.**



## ГАРАНТИЙНЫЕ ОБЯЗАТЕЛЬСТВА

Мы предоставляем **5-летнюю гарантию** на дефекты изготовления.



Чтобы действовала гарантия, необходимо доказательство приобретения, а также, чтобы вентилятор:

- был собран и установлен согласно инструкциям по установке, представленным в этом руководстве;
- проходил техническое обслуживание в соответствии с инструкциями по техническому обслуживанию, представленными в этом руководстве;
- был установлен в обычном жилом помещении;
- был подключен к электрической сети переменного тока с напряжением 100–240 В;
- не подвергался воздействию удара молнии или чрезмерных скачков напряжения;
- не был объектом несанкционированного вмешательства;
- был установлен в зоне с классом защиты IP44;
- не устанавливался в среде, температура в которой может превышать 50 °С.

RU

**Претензии по вентилятору следует направлять в место приобретения.**

## УТИЛИЗАЦИЯ

Изделие отмечено символом WEEE; это указывает на то, что никакие его элементы не следует выбрасывать вместе с бытовыми отходами — их следует утилизировать в соответствующем пункте утилизации в местном муниципалитете.

Компания Fresh AB является членом шведской национальной системы утилизации в соответствии с Европейской директивой WEEE.



За дополнительной информацией обращайтесь на сайт [www.fresh.eu](http://www.fresh.eu).

## ДОПОЛНИТЕЛЬНЫЕ ПРИНАДЛЕЖНОСТИ

Имеется набор дополнительных принадлежностей для вентилятора Fresh Intellivent, которые делают процесс установки вентилятора простым и беспроблемным. Ниже приведено несколько примеров принадлежностей.

### Трубы

для размеров  
100 и 125



### Крышка

190 x 240 мм,  
белая и черная



### Пластиковая решетка

для размеров  
100 и 125



### Металлическая решетка

для размеров  
100 и 125



### Защита от холода

для размеров 100 и 125



### YVG100 и 125

Проходник с защитой от холода.



Для обеспечения оптимальной вентиляции в ванную комнату должно поступать достаточно воздуха. Для этого либо делается отверстие в нижней части двери, либо устанавливается воздухозаборник в двери или стене.

Также важно, чтобы в дом поступал свежий воздух, который затем выходит через ванную комнату или, например, прачечную.

В этом случае рекомендуется установить воздухозаборники свежего воздуха в спальнях и в гостиной.

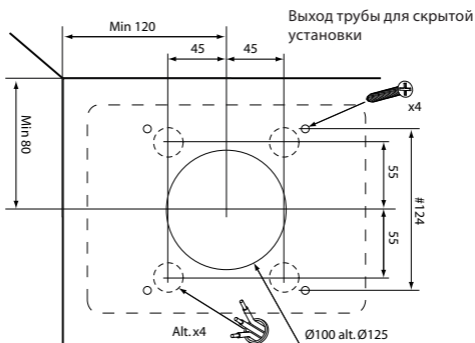
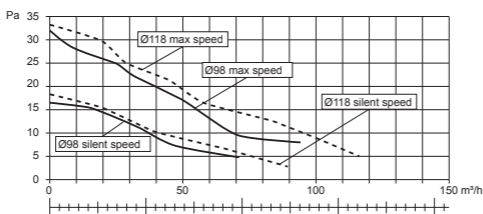
# ТЕХНИЧЕСКИЕ ДАННЫЕ

Максимальная производительность	134 м <sup>3</sup> /ч
Уровень шума на расстоянии 3 м (бесшумный режим)	21 дБ(А)
Потребляемая мощность	2,1–5,5 Вт
Размеры для установки на стену	0–30 мм
Отверстия	105–130 мм
Материал	АБС-пластик
Степень защиты	IP44
Класс изоляции	□
Напряжение	100-240 В
Частота	50-60 Гц
Сертификаты	Ⓢ ⒸⒺ

Размеры воздуховода	Максимальный/ бесшумный режим	Производительность (свободная вентиляция)	Уровень звукового давления на расстоянии 3 м
Ø 98	Максимальный режим	107 м <sup>3</sup> /ч	28 дБ(А)
Ø 98	Бесшумный режим	74 м <sup>3</sup> /ч	21 дБ(А)
Ø 98	Непрерывная работа	42 м <sup>3</sup> /ч	12 дБ(А)
Ø 118	Максимальный режим	134 м <sup>3</sup> /ч	29 дБ(А)
Ø 118	Бесшумный режим	86 м <sup>3</sup> /ч	21 дБ(А)
Ø 118	Непрерывная работа	55 м <sup>3</sup> /ч	13 дБ(А)

RU

## Производительность



# ИНСТРУКЦИИ ПО ПОИСКУ И УСТРАНЕНИЮ НЕИСПРАВНОСТЕЙ

## **Вентилятор не запускается.**

**Вентилятор только что установлен и еще не запускался:**

Убедитесь в том, что крыльчатка вентилятора вращается свободно.

Проверьте положение защитного выключателя. Он должен находиться в положении I (вкл.).

Отключите подачу питания на вентилятор — переведите защитный выключатель в положение 0 (выкл.) и затем обратно в положение I (вкл.).

Проверьте наличие напряжения на клемме L (должно выполняться только электриками).

Проверьте правильность подключения нейтрали путем измерения напряжения между клеммами L-N (должно выполняться только электриками).

## **Вентилятор находился в работе некоторое время:**

Убедитесь в том, что крыльчатка вентилятора вращается свободно.

Отключите подачу питания на вентилятор — переведите защитный выключатель в положение 0 (выкл.) и затем обратно в положение I (вкл.).

Оставьте вентилятор выключенным приблизительно на 3 секунды перед тем, как включить его снова.

## **Вентилятор был очищен**

Убедитесь в том, что крыльчатка вентилятора вращается свободно

Проверьте положение защитного выключателя. Он должен находиться в положении I (вкл.).

## **Вентилятор работает без остановки**

### **Синий светодиод постоянно горит**

*(Если вентилятор работал без остановки как минимум 24 часа.)*

Проверьте его работу, открыв дверь ванной комнаты и оставив ее открытой как минимум на полчаса для выравнивания уровней влажности.

Отключите подачу питания на вентилятор — переведите защитный выключатель в положение 0 (выкл.) и затем обратно в положение I (вкл.).

### **Постоянно горит желтый светодиод**

Если вентилятор подключен к внешнему выключателю для контроля таймера, выключите его и подождите как минимум 30 минут.

Отключите подачу питания на вентилятор — переведите защитный выключатель в положение 0 (выкл.) и затем обратно в положение I (вкл.).

### **Ни один светодиод не горит**

Это вполне нормально, если вентилятор был настроен на непрерывный режим работы. Светодиоды не горят в этом режиме.

Если вентилятор не был настроен на непрерывную работу, отключите подачу питания на вентилятор — переведите защитный выключатель в положение 0 (выкл.) и затем обратно в положение I (вкл.).

RU

### **Другие неисправности**

Вентилятор останавливается, когда выключается свет. Вентилятор установлен неправильно. На клемме L на клеммной колодке должна быть всегда прямая фаза.

*Обратитесь к электрику.*

### **Вентилятор останавливается, когда включается свет.**

Вероятно, вентилятор был запрограммирован на включение паузы выключателем без фиксации. Перепрограммирование — см. стр. 11

### **Вентилятор не работает, как указано**

Снимите крышку и отключите питание вентилятора, переключив защитный выключатель в положение 0 (выкл.). Затем верните выключатель управления в положение I (вкл.).

*Если вентилятор все еще не работает как указано в этом руководстве, обратитесь к продавцу или в компанию Fresh по электронному адресу: [intellivent@fresh.se](mailto:intellivent@fresh.se).*

Fresh'in bu ürününü seçtiğiniz için teşekkür ederiz.  
Fanı kurmadan ve kullanmadan önce, bu kılavuzu /  
kullanım talimatlarını okuyun.  
Ardından daha sonra tekrar bakabilmek için saklayın.

## **Güvenlik Bilgisi!**

Bu ekipmanı, denetleniyorsa  
veya ekipmanı nasıl güvenle  
kullanacaklarına dair yeterli talimat  
almış ve içerilen riskleri anlamışlarsa  
fiziksel, duyumsal ya da  
mental kapasitesi azalmış kişilerin  
yahut gerekli deneyim ya da teknik  
bilgiye sahip olmayanların yanı sıra 8  
yaş ve üzeri çocuklar da kullanabilirler.  
Çocuklar bu ekipman  
ile oynamamalıdır. Temizlik ve bakım,  
gözetimsiz çocuklar tarafından  
gerçekleştirilmemelidir.



# İÇİNDEKİLER

## 4 İşlevlerin açıklamaları

## 5 Kurulum kılavuzu

1 İçindekiler

2 Kurulum

3 Bağlantı

4 Kurulum seçenekleri

5 Çekme kordonu anahtarı bağlama

6 Fabrika ayarı

7 İşlevleri ayarlama

## 10 Gelişmiş işlevler

- Nem duyarlılığı modunu ayarlama
- Buton anahtara sahip duraklatma işlevi

TR

## 12 LED göstergeler

## 13 Bakım

## 14 Garanti belgesi

## 15 Geri dönüşüm

## 16 Yedek parçalar

## 17 Teknik veriler

## 18 Tamir kılavuzu

## İŞLEVLERİN AÇIKLAMALARI

- **Otomatik nem algılama sistemi**

Fresh Intellivent tamamen otomatik nem denetimi donanımına sahiptir. Bu, fanların yalnızca çalışmaya başladıkları anlamına gelir.  
bir farklılık oluşturacağı zaman

- **Zamanlayıcı**

Seçilebilir gecikme süresi – 5, 15 or 30 dakika.

- **Hız kontrolü**

İntegral hız kontrolü, ihtiyaçlarınızı karşılayacak şekilde gürültü seviyesini ve kapasiteyi ayarlamanıza izin verir.

- **Sürekli çalışma**

Evde ana havalandırmaya ihtiyaç duyuyorsanız, fanı sürekli çalışır vaziyette bırakınız.

Bu ayrıca duvara montajı sırasında cereyan yapma riskini ortadan kaldırır.

- **Havalandırma işlevi**

Eğer fan 26 saatten beri aktif değilse, havalandırma programı 60 dakikalığına çalışacaktır.

- **Duraklatma işlevi**

Güç kablosu kullanılarak fan bir saatliğine duraklatılabilir.

- **Çok kutuplu anahtar**

Fan çok kutuplu bir anahtarla takıldığından harici bir anahtar gerekli değildir.

- **LED göstergeler**

Üç farklı renkteki ışık soğurmalı diyot fanın ne zaman hangi modda olduğunu gösterir

- **12 voltluk motor**

Motor, yaklaşık 60.000 saatlik kullanım ömrüne sahip uzun ömürlü bir motordur. Bu tür bir motor ayrıca sessiz çalışır.

# KURULUM KILAVUZU

## 1 İçindekiler

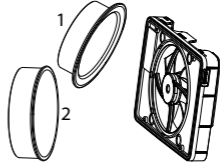
Pakette aşağıdakiler bulunmalıdır:

- Fan
- 2 adaptör, 1 x Ø98 mm ve 1 x Ø118 mm
- Kılavuz
- 4 vida ve tapa bulunduran aksesuar çantası, anahtarlı çekme kordonu ve standart kablo tipi (FK) için yalıtım

## 2 Kurulum

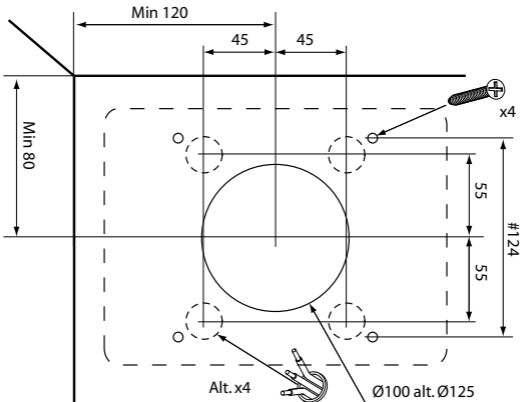
Bu fan bir duvara veya tavana takılabilir. Kurulum boyutları için aşağıdaki şekle bakın. Fan sıcaklığın 50°C'yi aştığı ortamlara takılmamalıdır. Fanın gövdesine uygun bir adaptör takın (Ø100 kanal için Ø98 (1) veya Ø125 kanal için Ø118 (2)).

Fan, ayrıca adaptörsüz bir şekilde de kurulabilir ve kullanılabilir. bu yüzden tamamen yüzeye bağlanır, örn, havalandırma kanalının Ø98'den az olduğu durumlarda



TR

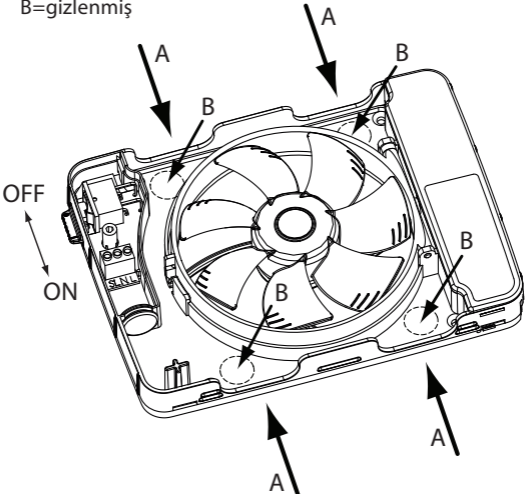
Fanı takarken, duvardan veya tavadan nemli hava girişini engellemek için boru/kanal ve duvar/tavan arasında bir keçe olup olmadığını kontrol edin. Gerekirse ürünle birlikte gelen vida ve tapayı kullanın.



### 3 Elektrik bağlantısı

- Kurulum nitelikli bir elektrikçi tarafından gerçekleştirilmelidir.
  - Fan çift kat yalıtımlıdır ve topraklanmamalıdır.
  - Fanda çok kutuplu bir anahtar bulunur ve önceden bağlantısı yapılmış harici bir anahtar gerektirmez.
- 1 Çok kutuplu anahtarı 0 - KAPALI konumuna itin.
  - 2 Kablo gövdedeki A girişlerini kullanarak yüzey boyunca takılabilir veya gövdedeki B girişleri kullanılarak gizlenebilir. Her iki seçenek de aşağıda gösterilmiştir. Kablo (FK) için sağlanan izolasyon manşonunu kullanın.
  - 3 B girişlerinden herhangi birini kullanırsanız, örneğin bir tornavidayla kırma çentiğini içten dışarıya doğru ittirerek gizlenmiş yuvarlak plastik kapağı çıkarın.

Kablo girişleri  
A=yüzeyde  
B=gizlenmiş



## 4 Kurulum seçenekleri

Fan istenilen işleve bağlı olarak aşağıda belirtilen üç yolla kurulabilir:

### 1 Yalnızca nem kontrolü, bkz. şekil 1

Fan, otomatik nem kontrolü için faz sabitine (L) ve nötre (N) bağlanır.

Bir çekme kablosu takılarak ve bu kablo çekilerek zamanlayıcı manuel olarak etkinleştirilebilir (bkz. sayfa 8).

### 2 Nem kontrolü + ışık düğmesi ile zamanlayıcı, bkz. şekil 2

Fan, otomatik nem kontrolü için faz sabitine (L) ve nötre (N) bağlanır.

Fanın zamanlayıcısını etkinleştirmek için etkileşimli anahtar (SL) bağlanır. Örneğin, banyo ışığı yakıldığında etkileşimli anahtarda akım bulunur. Bu seçenek 90 saniyelik bir başlangıç gecikmesi sağlar.

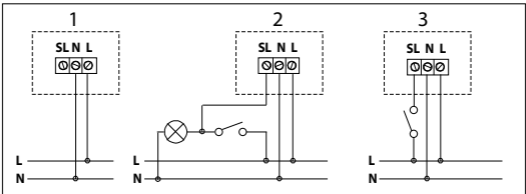
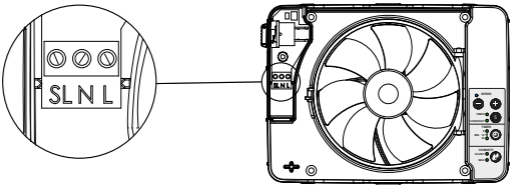
### 3 Nem kontrolü + ani basmalı anahtar ile zamanlayıcı, bkz. şekil 3

Fan, otomatik nem kontrolü için faz sabitine (L) ve nötre (N) bağlanır.

Ani basmalı anahtar kullanarak fanın zamanlayıcısını etkinleştirmek için etkileşimli anahtar (SL) kullanılır. Bu seçenek fanın doğrudan çalıştırılmasını sağlar.

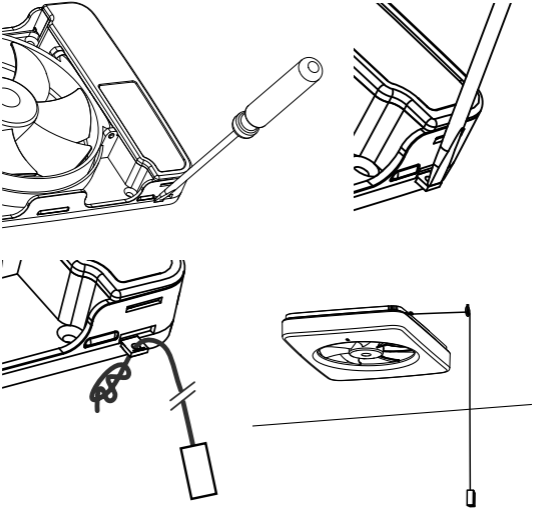
TR

### Elektrik bağlantısı şekli



## 5 Çekme kordonu anahtarı bağlama

Zamanlayıcıyı manuel olarak etkinleştirmek ve fanı duraklatmak için bir çekme kordonu takılabilir. Örneğin, bir tornavida kullanarak montaj plakasını çıkarın ve birlikte gelen çekme kordonunu delikten takın.



Kurulum tamamlandığında, fanı tekrar etkin duruma getirmek için güvenlik anahtarını I – AÇIK konumuna bastırın.

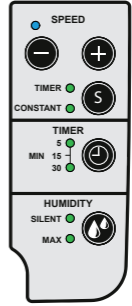
*Fan güç kaynağına bağlandığında elektrikli parçaların, LED'lerin ve motor çalışmasının test edildiği otomatik bir test gerçekleştirir. Fan artık kullanıma hazırdır.*

## 6 Fabrika ayarı

- zamanlayıcı - 5 dakika
- nem hızı - sessiz (maksimum değerin %70'i)
- zamanlayıcı hızı - (maksimum değerin %70'i)
- sürekli çalışma - kapalı

### Fabrika ayarlarına geri dönme

En az 5 saniye boyunca S düğmesini basılı tutun.



## 7 İşlevleri ayarlama

*İhtiyaçlarınızı karşılamak için olası uyarılama:*

### 1 Zamanlayıcının çalışması için fan hızını ayarlama.

Zamanlayıcı ışığı yanana kadar S düğmesine basın.

Hızı ayarlamak için hız butonlarını kullanın.

Her iki SPEED (hız) düğmesine aynı anda basarak fabrika varsayılan zamanlayıcısına geri dönün.

### 2 Gecikme süresi

Zamanlayıcıyı 5, 15 ve 30 dakika olarak ayarlayın.

### 3 Nem modu / nem

Sessize veya maks. kapasiteye ayarlayın - küçük veya büyük banyo.

### 4 Sürekli çalışma

"CONSTANT" (Sürekli) ışığı yanana kadar S düğmesine basın. SPEED (Hız) düğmelerini kullanarak fan hızını seçin.

Devam eden çalışmayı kapatmak: "CONSTANT" (Sürekli) ışığı sönene kadar S düğmesine basın.

## GELİŞMİŞ İŞLEVLER

### Nem duyarlılığı modunu seçme

Banyonun havası birçok sebebe bağlı olarak çeşitlilik gösterebilir: oda büyüklüğü, doğal havalandırma varlığı, sıcaklık vb. Bu faktörler fan nem tepkisinin üzerinde çok hızlı veya çok yavaş olmasını sağlayacak etkilere sahip olabilir.

**Fabrika ayarları konumlanma 2'dir: çoğu koşulda en iyi çalışan normal nem tepkisi.**

Ayrıca, nem işlevini tamamen kapatma seçeneği de mevcuttur.

1) Hız + ve Nem modu düğmelerine aynı anda basın (*mavi ve sarı LED'ler hızlıca yanıp söner*).

İstenen nem duyarlılığı modu seçilene kadar Nem Modu düğmesine basın.

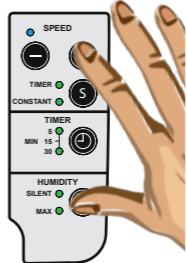
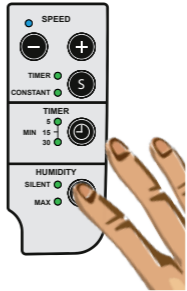
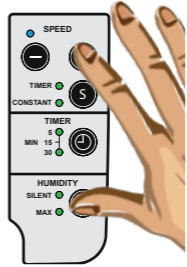
**Konum 1:** Sessiz LED'i yanar – hızlı nem tepkisi.

**Konum 2:** Maks. LED'i yanar – normal nem tepkisi.

**Konum 3:** Sessiz ve Maks. LED'leri birlikte yanar – yavaş nem tepkisi.

**Konum 4:** Sessiz ve Maks. LED'leri kapalı kalır – nem kontrolü devre dışıdır.

2) Hız + ve Nem Modu düğmelerine aynı anda basın (*Mavi ve sarı LED'ler yanıp sönmeyi durdurur*).





## Buton anahtarı kullanarak duraklatma işlevi.

Harici bir buton anahtarı devreye sokarak fanı bir saatliğine duraklatabilirsiniz. Bunun bağlantısı sayfa 7'deki şekil 3'te gösterildiği şekilde yapılabilir.

*Seçilen bu işlevle birlikte, SL'ye bağlanan etkileşimli anahtar (aydınlatma) ile gecikmeli başlatmayı kullanmanız mümkün olmayacaktır.*

### Etkinleştirme

1 Hız + ve Nem modu düğmelerine aynı anda basın (mavi ve sarı LED'ler hızlıca yanıp söner).

2 5 dakika LED'i yanana kadar zamanlayıcı düğmesine basın ve 5 saniye boyunca basılı tutun.

3) Hız + ve Nem Modu düğmelerine aynı anda basın (Mavi ve sarı LED'ler yanıp sönmeyi durdurur).

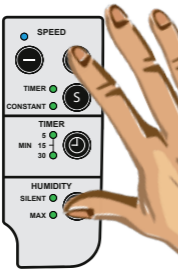
### Devredışı bırakma

1 Hız + ve Nem modu düğmelerine aynı anda basın (mavi ve sarı LED'ler hızlıca yanıp söner).

2 Zamanlayıcı çalıştırma LED'lerinden herhangi biri yanmayıncaya kadar 5 saniye boyunca zamanlayıcı düğmesine basın ve basılı tutun.

3 Hız + ve Nem modu düğmelerine aynı anda basın (mavi ve sarı LED'ler hızlıca yanıp söner).

TR



## LED göstergeler

### LED - fan hangi işlemi gerçekleştiriyor?

Fresh Intellivent üç renkli LED göstergesi donanımına sahiptir: sarı, mavi ve mor.

Bu üç renk kullanıcıya fanın ne yaptığını ve motoru o anda hangi işlevin kontrol ettiğini gösterir.

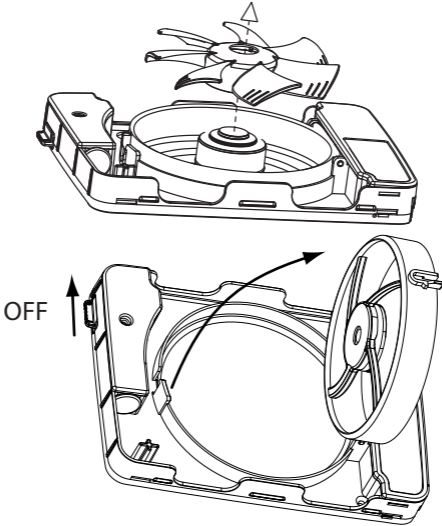
- **Açık LED yok**  
Fan kapalıdır ve sürekli çalışmaktadır.
- **Mavi LED açık**  
Fan çalışmaktadır - nem sensörü odada nemin arttığını algılamıştır.
- **Mavi yanıp sönen LED**  
Fan çalışmaktadır - Fan sensörü referans değerlerini odadaki nem için azaltabileceğini algılamıştır.
- **Sarı LED açık**  
Fan çalışmaktadır - Zamanlayıcı denetimi etkinleştirilmiştir.
- **Sarı yanıp sönen LED**  
Işık anahtarı tarafından gecikmeli başlamaya sahip zamanlayıcı denetimi etkinleştirilmiştir.  
Fan çalışmaya başlamadan önce LED 1,5 dakika boyunca yanıp söner.
- **Mor LED açık**  
Fan çalışmaktadır - Havalandırma işlevi etkinleştirilmiştir.
- **Sarı ve mavi LED'ler sırayla yavaşça yanıp söner**  
Duraklatma işlevi etkinleştirilmiştir.
- **Sarı ve mavi LED'ler sırayla hızlıca yanıp söner**  
Programlama modu etkinleştirilmiştir.

## BAKIM

Fresh Intellivent uzun yıllar boyunca verimli bir şekilde çalışacak şekilde tasarlanmıştır. Düzgün bir şekilde çalışması için fanın düzenli aralıklarla temizlenmesi gerekir. Bu aralıklar fan çalışma süresine ve hava kalitesine göre belirlenir. Fanı, yılda en az iki kere veya gerektiği kadar temizleyin.

Çok kutuplu anahtarı O - KAPALI konumuna iterek fanın güç kaynağıyla olan bağlantısını kesin.

Fan çıkarılabilir bir pervane ile donatılmıştır. Baş parmağınızla merkezine basın, fan kanatlarını kavrayın ve pervaneyi çıkartın. Ayrıca kanala kolay erişim sağladığından fanın "dışa doğru döndürme" işlevi kullanışlıdır. Motor montaj halkasının mandalına basın ve motor/bıçakları dışa doğru döndürün.



İçinde kir varsa kanalı/boruyu temizleyin. Temizlemezseniz yetersiz kapasite riskiyle karşılaşabilirsiniz.

Fanı temizlerken, kirlilirse bıçaklara özel ilgi gösterin. Aksi takdirde, dengesizlik riski ve dolayısıyla artan gürültü ve motor rulmanlarının ömrünün kısalma riski vardır.

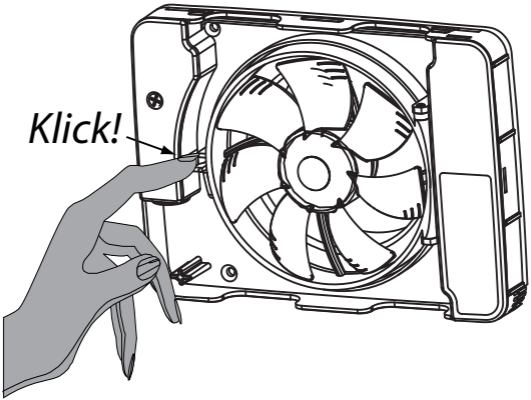
Fanın bıçaklarını bir fırçayla veya boya fırçasıyla temizleyin. Fan kapağını su ile ve mümkünse yumuşak bir deterjanla nemlendirilmiş cilalama bezi ile temizleyin.

Önemli! Fanın plastik bileşenlerine hasar verme riski olduğundan fanın herhangi bir parçasında asla çözücü veya benzer ürünler kullanmayın!

Fanın motoruna hasar verme riski olduğundan, fanı asla suya batırmayın.

Temizledikten sonra motor montaj halkasını eski konumuna döndürün ve mandalla sabitleyerek kilitleyin. Anahtarı konum 1 - AÇIK konumuna hareket ettirerek çok kutuplu anahtarı tekrar açın.

**Fanın bakımı yukarıda belirtildiği şekilde gerçekleştirilmezse ürün garantisi geçersiz olur.**



## GARANTİ

Üretim hatalarına karşı **5 yıllık bir garanti** sağlıyoruz



Garantinin geçerli olması için satın alma kanıtı gereklidir ve fan:

- bu kılavuzdaki kurulum kılavuzuna göre bir araya getirilmeli ve takılmalıdır
- bu kılavuzdaki bakım talimatlarına göre bakım sürecinden geçmiş olmalıdır
- normal bir yerleşim ortamında takılı olmalıdır

100-240 V AC değerinde voltaja bağlı olmalıdır

- aydınlatmaya veya anormal güç dalgalanmalarına maruz bırakılmamalıdır
- kurcalanmaya maruz bırakılmamış olmalıdır
- IP44 dereceli bir bölgeye takılmış olmalıdır
- sıcaklığın 50° Santigratı geçtiği bir ortamda takılmış olmamalıdır.

**Ürünle ilgili şikayetler satın alınan yere yapılmalıdır.**

## GERİ DÖNÜŞÜM

Üründe WEEE sembolü bulunur. Bu, ürünün ev atıklarıyla birlikte atılmaması gerektiğini ve yerel belediye'deki uygun bir geri dönüşüm konumunda geri dönüştürülmesi gerektiğini gösterir.

Fresh AB, Avrupa WEEE direktifine göre İsveç ulusal geri dönüşüm sisteminin bir üyesidir.

Daha fazla bilgi için bkz. [www.fresh.eu](http://www.fresh.eu)



TR

## AKSESUARLAR

Fresh Intellivent ürününe yönelik, kullanıcı olarak ürünü mümkün olduğunca sorunsuz kurabilmeniz için size yardımcı olarak çeşitli aksesuarlar vardır. Aşağıda bu aksesuarlara bazı örnekler verilmiştir.

### Borular

100 ve 125



### Kapak plakası

190 x 240 mm

beyaz ve siyah



### Şu boyutlara yönelik plastik ızgara:

100 ve 125



### Şu boyutlara yönelik metal ızgara:

100 ve 125



### Şu boyutlar için soğuk dalgası koruması:

100 ve 125



### YVG100 ve 125

Soğuk dalgası koruması ile kesintisiz besleme.



En iyi havalandırma için banyoya yeterince hava girdiğinden emin olmanız gerekir. Bu kapının altında bir açıklık oluşturarak veya kapıya ya da duvara bir havalandırma deliği takarak yapılır.

Ayrıca evin içine, örneğin banyodan veya çamaşır odasından dışarı atılan temiz hava girişini sağlamak da önemlidir.

Bu durumda, yatak odalarına ve oturma odasına temiz hava delikleri takmak iyi bir fikirdir.

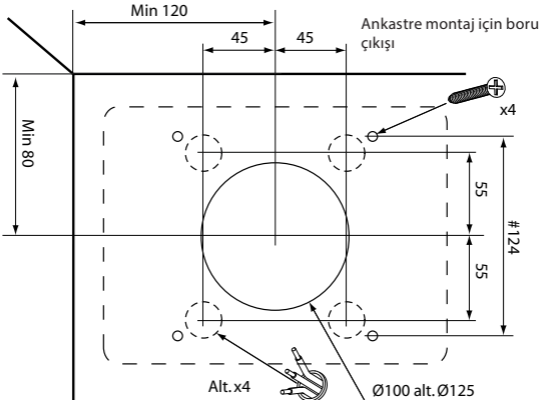
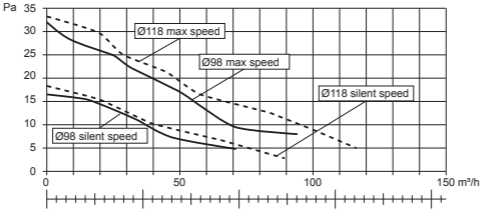
# TEKNİK VERİLER

Maksimum kapasite	134 m <sup>3</sup> /s
Ses basıncı seviyesi 3 m (Sessiz mod)	21 dB(A)
Güç tüketimi	2,1 - 5,5 W
Duvara monte etme boyutları	0 - 30 mm
Delikler	105 -130 mm
Malzeme	ABS plastik
Koruma derecesi	IP44
Yalıtım sınıfı	□
Voltaj	100-240 V
Frekans	50-60 Hz
Sertifikalar	Ⓢ ⒸⒺ

Kanal boyutları	Maks./ Sessiz	Kapasite (serbest üfleme)	Ses basıncı seviyesi 3 m
Ø 98	Maks.	107 m <sup>3</sup> /s	28 dB(A)
Ø 98	Sessiz	74 m <sup>3</sup> /s	21 dB(A)
Ø 98	Sürekli	42 m <sup>3</sup> /s	12 dB(A)
Ø 118	Maks.	134 m <sup>3</sup> /s	29 dB(A)
Ø 118	Sessiz	86 m <sup>3</sup> /s	21 dB(A)
Ø 118	Sürekli	55 m <sup>3</sup> /s	13 dB(A)

TR

## Kapasite



# SORUN GİDERME KILAVUZU

## Fan çalışmıyor

### Fan yeni ve daha önce hiç çalıştırılmadı:

Fanın pervanesinin serbest bir şekilde çalışıp çalışmadığını kontrol edin.

Güvenlik düğmesinin konumunu kontrol edin. I - AÇIK konumunda olmalıdır.

Fanın güç kaynağıyla olan bağlantısını kesin. Güvenlik anahtarını 0 - KAPALI konumuna getirin ve ardından I - AÇIK konumuna geri getirin.

Bağlantı blokunda gerilim olup olmadığını kontrol edin (yalnızca elektrikçi tarafından yapılmalıdır).

L-N arasındaki gerilimi ölçerek nötrün düzgün bir şekilde bağlanıp bağlanmadığını kontrol edin (yalnızca elektrikçi tarafından yapılmalıdır).

### Fan bir süredir kullanılıyor:

Fanın pervanesinin serbest bir şekilde çalışıp çalışmadığını kontrol edin.

Fanın güç kaynağıyla olan bağlantısını kesin. Güvenlik anahtarını 0 - KAPALI konumuna getirin ve ardından I - AÇIK konumuna geri getirin. Fanı tekrar açmadan önce yaklaşık 3 saniye boyunca kapalı tutun.

### Fan temizlendi

Fanın pervanesinin serbest bir şekilde çalışıp çalışmadığını kontrol edin.

Güvenlik düğmesinin konumunu kontrol edin. I - AÇIK konumunda olmalıdır.

### Fan durmaksızın çalışıyor

#### Mavi LED sürekli yanıyor

*(Fan 24 saattir kesintisiz çalışıyorsa)*

Nem seviyelerini eşitlemek için banyo kapısını açıp en az yarım saat açık bırakarak çalışıp çalışmadığını kontrol edin.

Fanın güç kaynağıyla olan bağlantısını kesin. Güvenlik anahtarını 0 - KAPALI konumuna getirin ve ardından I - AÇIK konumuna geri getirin.



### **Sarı LED sürekli yanıyor**

Fan, zamanlayıcı kontrolü için harici bir anahtara bağlıysa, bunu kapatın ve en az 30 dakika bekleyin.

Fanın güç kaynağıyla olan bağlantısını kesin. Güvenlik anahtarını 0 - KAPALI konumuna getirin ve ardından I - AÇIK konumuna geri getirin.

### **Hiçbir LED yanmıyor**

Fan sürekli çalışmaya ayarlanmışsa bu tamamen normaldir. Bu modda hiçbir LED yanmaz.

Fan sürekli çalışmaya ayarlanmadıysa fanın güç kaynağıyla olan bağlantısını kesin. Güvenlik anahtarını 0 - KAPALI konumuna getirin ve ardından I - AÇIK konumuna geri getirin.

### **Diğer arızalar**

Işık kapatıldığında fan durur.

Fan düzgün bir şekilde takıldı. Terminal bloğundaki terminal L, her zaman direk faza sahip olmalıdır.

*Elektrikçinizle irtibat kurun.*

### **Işık açıldığında fan duruyor.**

Fan büyük ihtimalle buton anahtarla duraklatılmak üzere ayarlanmıştır. Programı değiştirmek için bkz. sayfa 11

### **Fan açıklandığı şekilde çalışmıyor**

Kapağı çıkarın ve güvenlik anahtarını 0'a getirerek fanın güç kaynağıyla olan bağlantısını kesin. Sonrasında anahtarı I(Açık) konumuna geri getirin.

*Fan yine de bu kılavuzda açıklandığı şekilde çalışmıyorsa, bayiyle veya şu adrese e-posta göndererek Fresh ile iletişime geçin:*

*intellivent@fresh.se.*





Designed and manufactured  
by Fresh in Sweden



Scan this code with  
your smartphone for  
further information

FRESH AB  
Smedjegatan 10  
SE-352 46 Växjö  
SWEDEN

Tel +46 (0) 470-70 77 00

E-mail [info@fresh.se](mailto:info@fresh.se)  
Web [www.fresh.eu](http://www.fresh.eu)

Copyright © Fresh AB 2009-2021 • All rights reserved.

Fresh® and the Fresh® logotype are trademarks or registered trademarks of Fresh AB in Sweden and/ or other countries. Intellivent® is a trademark or registered trademark of Fresh AB in Sweden and/ or other countries. Patent SE533319 C2. International and European Patent Pending.

Art. nr. 008608-A • Intellivent® 2.0 Edition Exp2 2021

