

# Constant Airflow Regulators

**New**

## General information



MR MODULO

### Advantages

- Maintenance free.
- Tool free adjustment.
- Wide range of air flow.

## APPLICATION

- Airflow is controlled at a pre-set value in HVAC circular ductwork.
- Installation of CMEV and air conditioning.
- Air exhaust and supply.
- Operating temperature range: -10°C / +60°C.
- Operating range of standard range: 50-250 Pa.

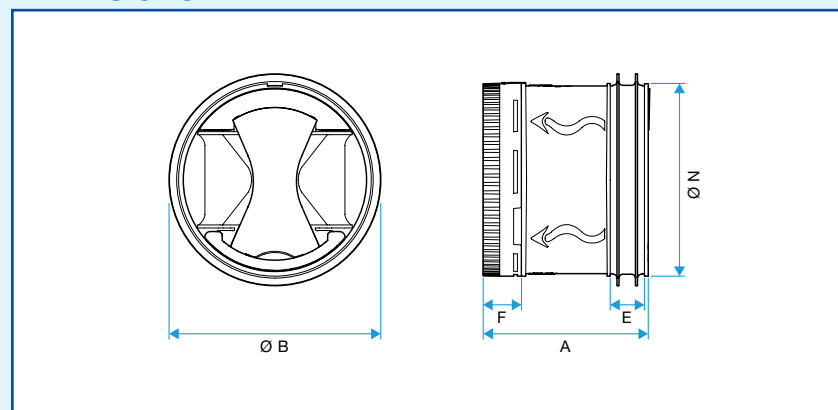
## DESCRIPTION

- Plastic body (M1 fire resistance classification) housing the silicone regulating membrane in a calibrated air passage.
- Peripheral seal for air tight connection with duct.
- Outdoor diameter calibrated for standard duct diameters up to 250 mm.
- Airflow tolerances:
  - Q medium = Q nominal +/- 5 m<sup>3</sup>/hr for MR ≤ 50 m<sup>3</sup>/hr,
  - Q medium = Q nominal +/- 10% for MR > 50 m<sup>3</sup>/hr.

## INSTALLATION

- Tool free manual adjustment of air flow.
- Inserts directly into a circular duct near a connection or a terminal.
- In air exhaust mode: distance equivalent to 1 diameters between the MR and the terminal.
- In air supply mode: distance equivalent to 3 diameters between the MR and the terminal.
- Direction of assembly indicated on the component.
- Horizontal / vertical.

## DIMENSIONS



Ø Duct (mm)	Ø N (mm)	Ø B (mm)	A (mm)	E (mm)	F (mm)	Airflow (m <sup>3</sup> /h)
80	76	85	65	13	15	15 - 65
100	92	105	70	13	13	20 - 90
125	116	133	70	13	17	20 - 90
125	116	133	110	13	17	100 - 180
150	153	166	118	13	19	100 - 240
160	153	166	118	13	19	100 - 240
200	190	210	145	19	23	200 - 400
250	238	258	180	19	23	300 - 650

## RANGE R1

Ø (mm)	Description	Code
80	MR MODULO D80/3IN 15-65CMH/10-37.5CFM	11016307
100	MR MODULO D100/4IN 20-90CMH/12.5-52.5CFM	11016308
125	MR MODULO D125/5IN 20-90CMH/12.5-52.5CFM	11016309
125	MR MODULO D125/5IN 100-180CMH/60-105CFM	11016310
150	MR MODULO D150/6IN 100-240CMH/60-140CFM	11016311
160	MR MODULO D160/6IN 100-240CMH/60-140CFM	11016312
200	MR MODULO D200/8IN 200-400CMH/120-235CFM	11016313
250	MR MODULO D250/10IN 300-650CMH/175-385CFM	11016314