



Flow ULTRA

Ideal for HRV retrofits in living spaces and small-sized offices

New in the 2023 catalogue, **FlowULTRA** represents the evolution of the retrofit HRV with wall installation due to the need to **ensure the correct air exchange in recently renovated environments**, while safeguarding the energy efficiency of the building envelope insulation. A continuous dual-flow ventilation unit designed to serve individual rooms with **modulated air flow rates between 15 and 120 m³/h**. The ventilation unit, which can be installed with two 100-mm diameter core-drilled holes on an external wall, is supplied as standard with a white ABS cover that allows **easy aesthetic**

matching with the existing environment.

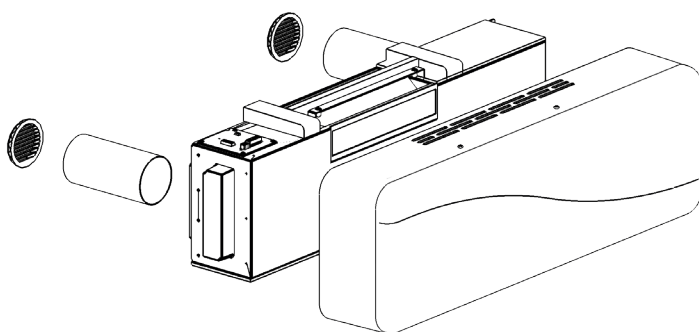
The solution is designed to **counteract condensation and mould problems** and meet the need for **healthy air in medium-sized rooms** as well as in **small-sized offices, professional offices and practices.**

The **continuous exchange** of stale air with fresh air, combined with the **filtration of air** introduced from outside with an F7 filter, provides a healthier and more comfortable environment, eliminating dust, odours, spores and pollen. Energy savings are ensured by the **enthalpy heat recovery system with efficiency of up to 88%.**



Available in Standard, Plus and Elite versions

All FlowULTRA models come as standard with an infrared remote control to operate the unit. The Plus version is enhanced by the **Air Guard app**, a **sensor for humidity detection** and automatic ventilation operation. FlowULTRA Elite is the version dedicated to people who are more sensitive to indoor pollution: it also monitors **CO₂ and VOCs** by automatically varying the fresh air flow for the **correct dilution of pollutants** from the environment.



Sensors for automatic humidity, CO₂ and VOC management



Thanks to the supplied infrared remote control, it is easy to operate from anywhere in the room.



88%

Heat recovery efficiency



19.5 dB(A)

Sound pressure



120 m³/h

Maximum air flow



F7

Air intake filtration



-37.6 kWh/m²a

SEC energy consumption (temperate climate)

Technical data

Energy efficiency class **A**

Specifications	UoM	Value
Air flow rate	m ³ /h	15/30/45/60/80/120 ⁽¹⁾
Flow adjustment		night + 4 stages + hyperventilation
Power consumption	W	3/6/9/13/23/55 ⁽¹⁾
Specific power input	W/m ³ /h	0.2/0.2/0.2/0.22/0.29/0.46 ⁽¹⁾
Power supply voltage	V AC	230
Operating voltage ⁽²⁾	V DC	24
Max. current consumption ⁽³⁾	A	0.45
Weight	kg	14
Product dimensions (horizontal W x H x D)	mm	1000 x 320 x 180
Core-drilled holes	mm	2x Ø100
Heat exchanger		enthalpy with cross-flow countercurrent
Heat recovery efficiency	%	88
Sound power level ⁽⁴⁾	dB(A)	31/36/43/48/55/63
Sound pressure ⁽⁵⁾	dB(A)	19.5/24.5/31.5/36.5/43.5/51.5
Facade noise abatement Dn, e, w	dB	45
Filters (intake / extraction)		F7 / G1
Modbus RTU rs485		Yes ⁽⁶⁾
Energy efficiency class (cold / temperate / hot)		A+ / A / E
SEC (cold / temperate / hot)	kWh/m ² a	-71.6 / -37.6 / -15.5
Unit type		UVR-B bidirectional
Specific Power Input SPI ⁽⁷⁾	W/(m ³ /h)	0.22
Internal leakage rate ⁽⁷⁾	%	1.9
External leakage rate ⁽⁷⁾	%	0.8

1. In hyperventilation mode

2. The use of the supplied power supply allows power to be supplied at 230 V AC. To be connected during installation.

3. With 230 V AC supply voltage

4. According to UNI 3744:2010

5. Measured in a 30 m² semi-anechoic environment at a distance f 3 m

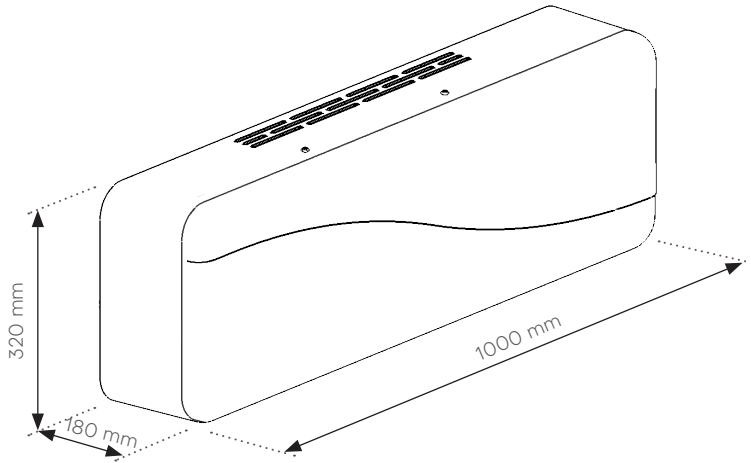
6. This excludes control via the panel interface in the FlowULTRA Plus and Elite versions

7. In accordance with EN 13141-8:2014-09

.....



FlowULTRA wall-mounted HRV dimensions



Horizontal orientation

